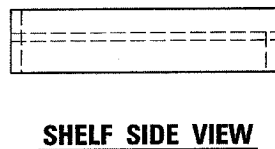


F.A.P. RTE.	SECTION	COUNTY	TOTAL SHEETS	SHEET NO.
311	5 BR-1	LASALLE	32	14
STA.		TO STA.		
FED. ROAD DIST. NO.		ILLINOIS FED. AID PROJECT		

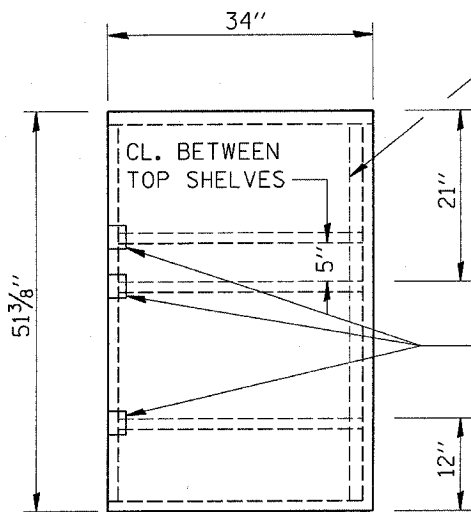


SHELF SIDE VIEW

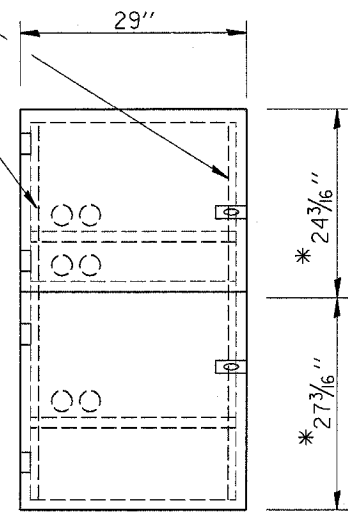


SHELF FRONT VIEW

1/2" X 1 1/2" FLAT STOCK WELD TO FORM DOOR FRAME AND ALSO AROUND PERIMETER OF EACH DOOR.



SIDE VIEW

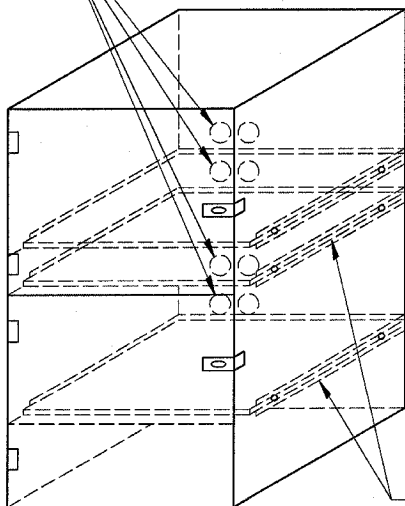


FRONT VIEW

* ALLOWS FOR 1/8" CLEARANCE AT TOP AND BOTTOM OF CABINET AND BETWEEN DOORS.

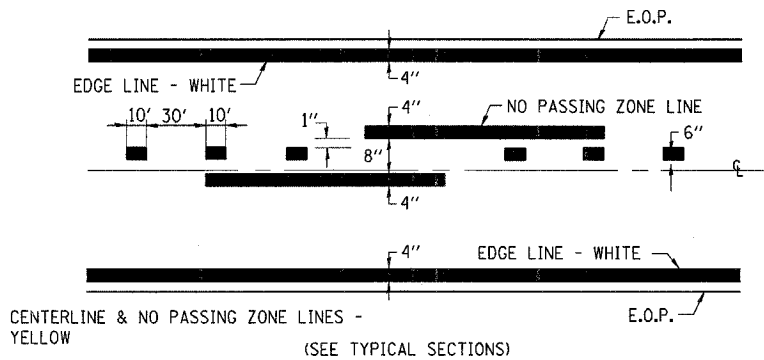
- NOTES:
1. USE 16 GAUGE STEEL FOR CABINET.
 2. THE TOP SHELF SHALL SLIDE IN OR OUT WITH THE TOP DOOR OPEN.
 3. ALL HINGES AND HASPS WILL BE WELDED TO THE CABINET.
 4. ALL EDGES SHALL BE GROUND SMOOTH.
 5. TWO (2" DIA.) ACCESS HOLES WILL BE REQUIRED FOR EACH SHELF.
 6. CABINET SHALL BE PAINTED WITH TWO COATS OF FLAT PAINT.
 7. 2 EACH MATCHING KEY PADLOCKS, WITH 3 KEYS PROVIDED, MASTER MODEL 3 T OR EQUIVALENT.
 8. 4 EACH PLAIN STEEL, NON-REMOVABLE PIN, NO HOLE 4"X4" SQUARE CORNER HINGES TO BE WELDED ON.
 9. 2 EACH EXTRA HEAVY, PLAIN STEEL, FIXED STAPLE, NO HOLE, 7/4" HASPS TO BE WELDED ON.

2" ACCESS HOLES IN REAR OF CABINET

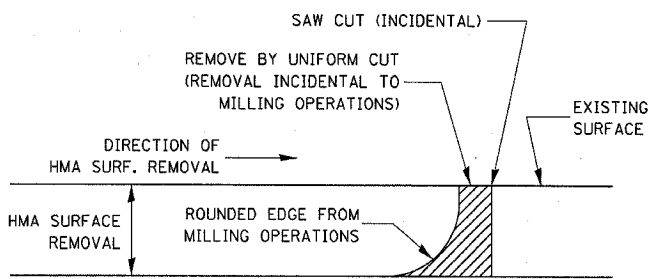


FLAT STOCK DIMENSIONS VARY DEPENDING ON TYPE OF ROLLER ASSEMBLY.

LOCKABLE COMPUTER CABINET

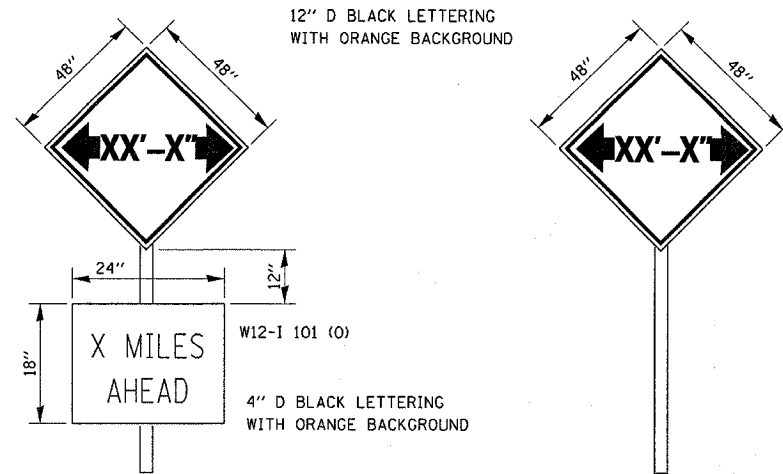


PAVEMENT MARKING



NOTE:
WHEN MILLING OPERATIONS PRODUCE A ROUNDED EDGE, THEN A SAW CUT SHALL BE USED TO MANUFACTURE A PERPENDICULAR EDGE AS SHOWN IN THE DETAIL. THE ENGINEER SHALL BE THE SOLE JUDGE CONCERNING THE USE OF THIS DETAIL

HMA DETAIL AT BUTT JOINTS



TO BE POST MOUNTED AS SHOWN ELSEWHERE IN THE PLANS.
THE ENGINEER WILL NOTIFY DISTRICT 3 BUREAU OF OPERATIONS 14 CALENDAR DAYS PRIOR TO INSTALLING ANY TRAFFIC CONTROL DEVICES THAT WILL RESTRICT THE PAVEMENT WIDTH.
THE CONTRACTOR SHALL BE RESPONSIBLE FOR COORDINATING WITH THE ENGINEER TO MEET THIS REQUIREMENT.
COST OF SUPPLYING, INSTALLING, MAINTAINING AND REMOVING WIDTH RESTRICTION SIGNS SHALL BE INCLUDED IN THE COST OF THE TRAFFIC CONTROL AND PROTECTION PAY ITEMS.

WIDTH RESTRICTION SIGNING DETAILS

REVISIONS	
NAME	DATE
BDD	4/11/07

COOMBE-BLOXDORF P.C.
Engineers / Land Surveyors
Springfield, Illinois
Design Firm License No. 184-002703

ILLINOIS DEPARTMENT OF TRANSPORTATION
STANDARD DETAILS
IL ROUTE 71 OVER UNNAMED STREAM
FAP RT 311, SECTION 5 BR-1
LASALLE COUNTY
SCALE:
DATE: 01/13/06
DRAWN BY
CHECKED BY

PLOT DATE = 4/20/07
FILE NAME = c:\projects\p10884\consult\cadd\final\cadd\eg\standard-detail.dgn
PLOT SCALE = 1/8"=1'-0"
USER NAME = dmcambd