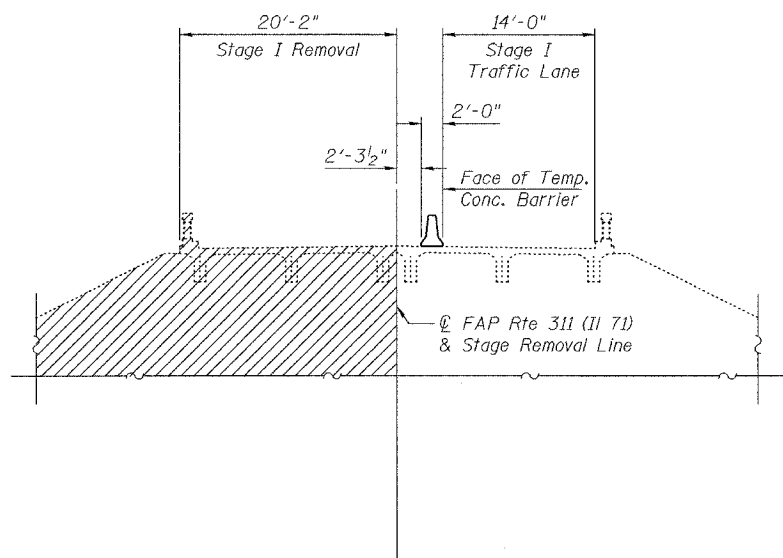
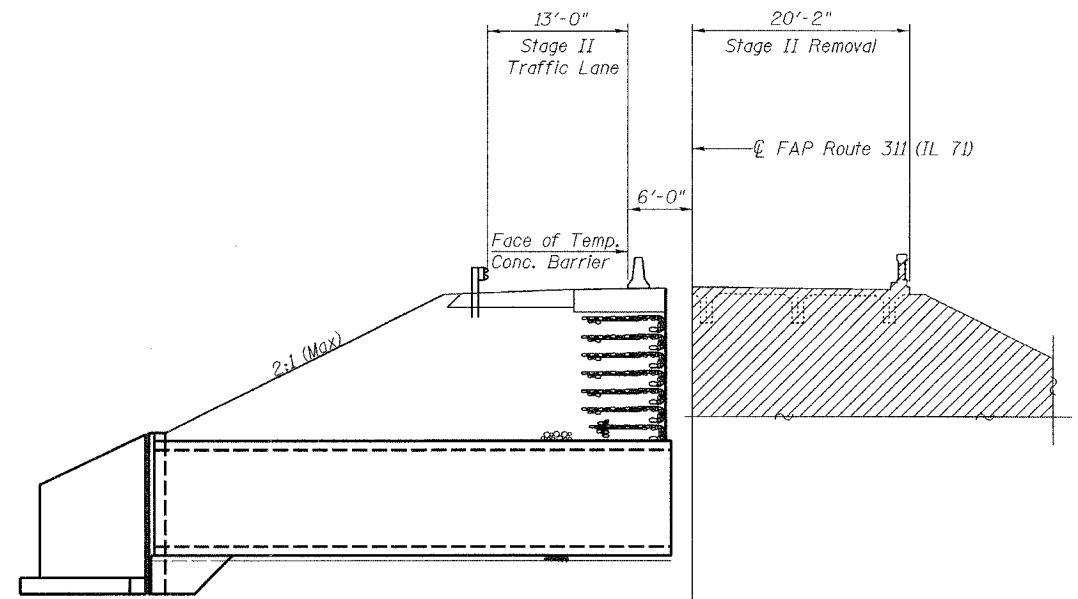


ROUTE NO.	SECTION	COUNTY	TOTAL SHEETS	SHEET NO.	SHEET NO. 2 8 SHEETS
FAP 311 (IL 71)	5BR-1	LASALLE	32	17	
FED. ROAD DIST. NO. 7		ILLINOIS	FED. AID PROJECT		

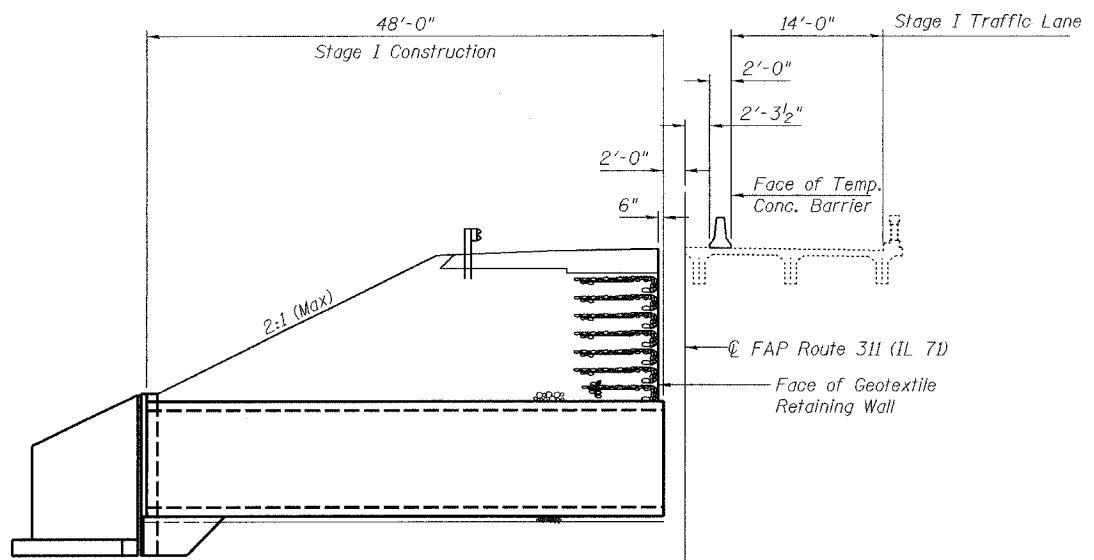
Contract #66449



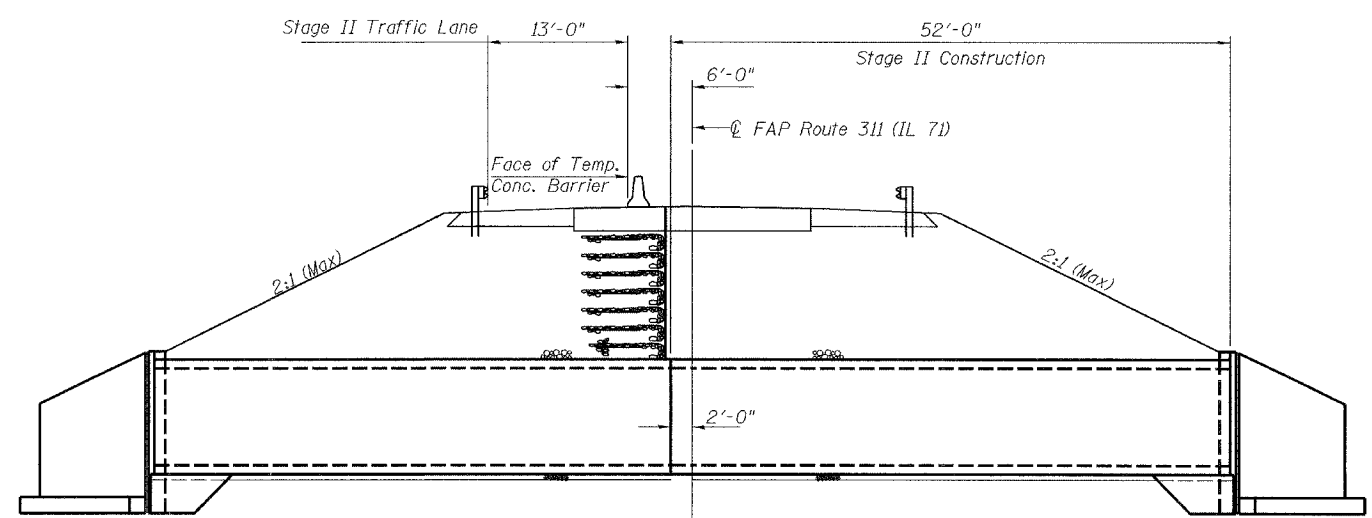
STAGE I REMOVAL ELEVATION
(Looking North)



STAGE II REMOVAL ELEVATION
(Looking North)



STAGE I CONSTRUCTION ELEVATION
(Looking North)



STAGE II CONSTRUCTION ELEVATION
(Looking North)

NOTES

- 1) Hatched area indicates "Removal of Existing Structures". Removal of Existing Bituminous Wearing Surface, Existing Concrete Bridge Rail and Steel Guardrail is included in the cost of "Removal of Existing Structures".
- 2) For Temporary Concrete Barrier, see Standard 704001 and Sheet 4 of 8.
- 3) For Temporary Soil Retention System and Geotextile Retaining Wall, see sheet 3 of 8.

FILE NAME = ..\bridge-const-relign
SCALE = 1/4" = 1'-0"
USER NAME = CFC

ILLINOIS DEPARTMENT OF TRANSPORTATION	
SHEET TITLE STAGE CONSTRUCTION DETAILS	
PROJECT IL ROUTE 71 OVER UNNAMED STREAM FAP ROUTE 311 SECTION 5BR-1 LASALLE COUNTY STATION 260+23 STRUCTURE NUMBER 050-2043	PROJECT NO. 05025-2 SCALE DATE 01/13/06 DRAWN BY CFC CHECKED BY KPS/MCB DRAWING NO.
COOMBE-BLOXDORF P.C. Engineers / Land Surveyors Springfield, Illinois Design Firm License No. 184-002703	2 OF 8 SHTS