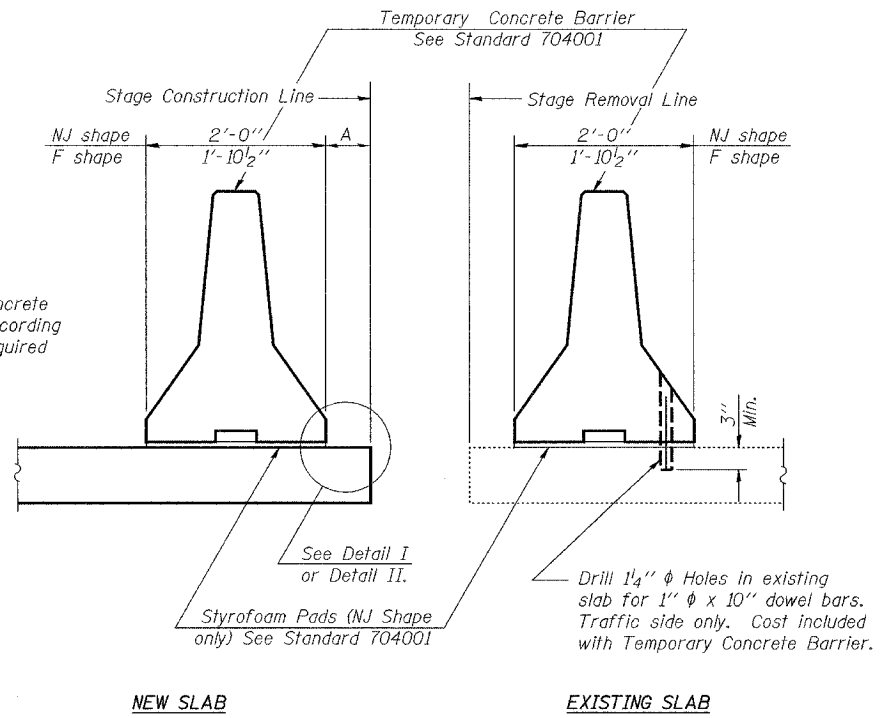


ROUTE NO.	SECTION	COUNTY	TOTAL SHEETS	SHEET NO.	SHEET NO. 4 8 SHEETS
FAP 311 (IL 71)	5BR-1	LASALLE	32	19	
FED. ROAD DIST. NO. 7		ILLINOIS		FED. AID PROJECT	

Contract #66449



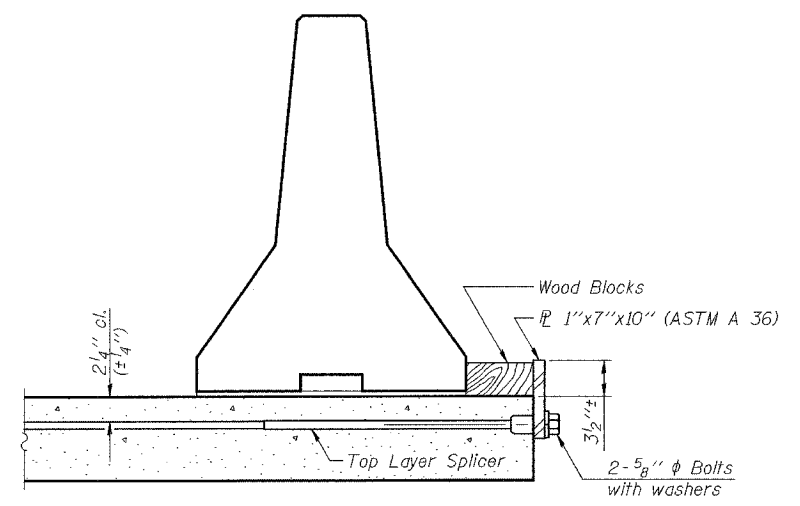
**SECTIONS THRU SLAB**

**NOTES**

Detail I - With Bar Splicer or Couplers:  
Connect one (1) 1"x7"x10" steel  $\bar{P}$  to the top layer of couplers with 2-5/8"  $\phi$  bolts screwed to coupler at approximate  $\bar{C}$  of each barrier panel.

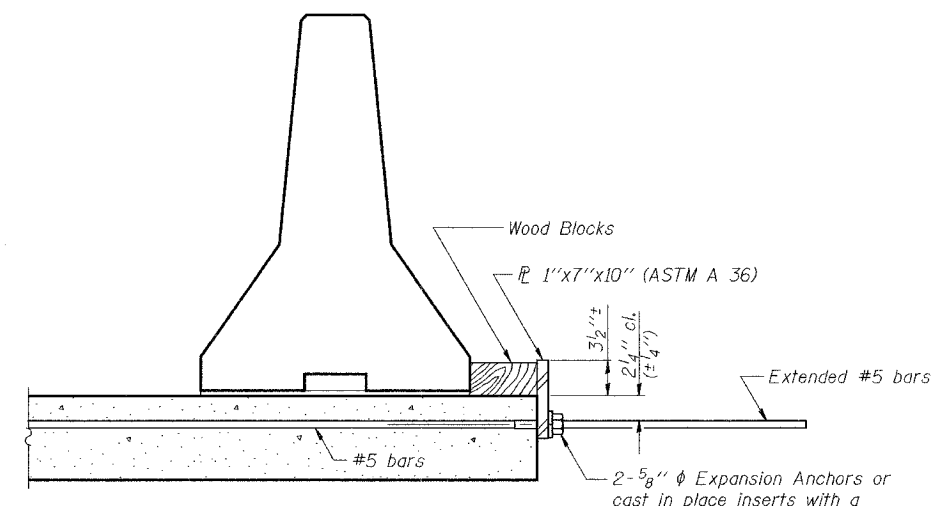
Detail II - With Extended Reinforcement Bars:  
Connect one (1) 1"x7"x10" steel  $\bar{P}$  to the concrete slab with 2-5/8"  $\phi$  Expansion Anchors or cast in place inserts spaced between the top layer of reinforcement at approximate  $\bar{C}$  of each barrier panel.

Cost of anchorage is included with Temporary Concrete Barrier.



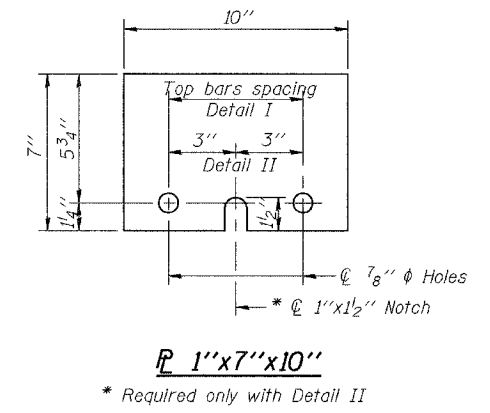
**DETAIL I**

The 1"x7"x10" Plate shall not be removed until Stage II Construction forms and reinforcement bars are in place.



**DETAIL II**

The 1"x7"x10" Plate shall not be removed until Stage II Construction forms and all reinforcement bars are in place and the concrete is ready to be placed.



FILE NAME = ...:\cover\plans\sheet1-4-102.dgn  
DATE = 10/20/06 1:17 PM  
USER NAME = CFC

R-27

10-22-04

ILLINOIS DEPARTMENT OF TRANSPORTATION	
SHEET TITLE TEMPORARY CONCRETE BARRIER FOR STAGE CONSTRUCTION	
PROJECT IL ROUTE 71 OVER UNNAMED STREAM FAP ROUTE 311 SECTION 5BR-1 LASALLE COUNTY STATION 260+23 STRUCTURE NUMBER 050-2043	PROJECT NO. 05025-2 SCALE DATE 01/13/06 DRAWN BY TFG/CFC CHECKED BY KPS/MCB DRAWING NO.
COOMBE-BLOXDORF P.C. Engineers / Land Surveyors Springfield, Illinois Design Firm License No. 184-002703	
4	OF 8 SHTS