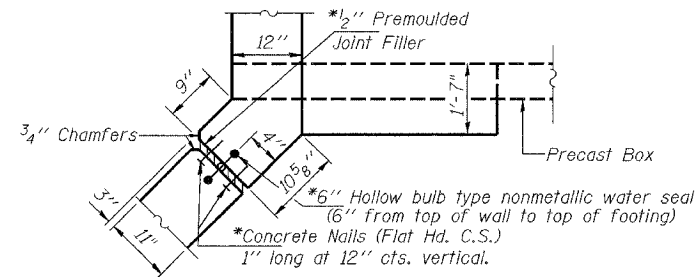
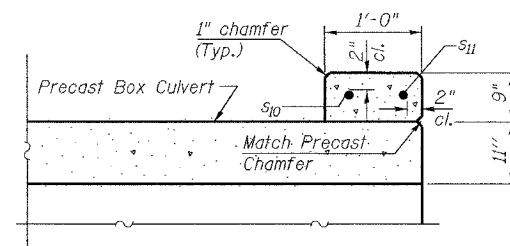


Contract #66449

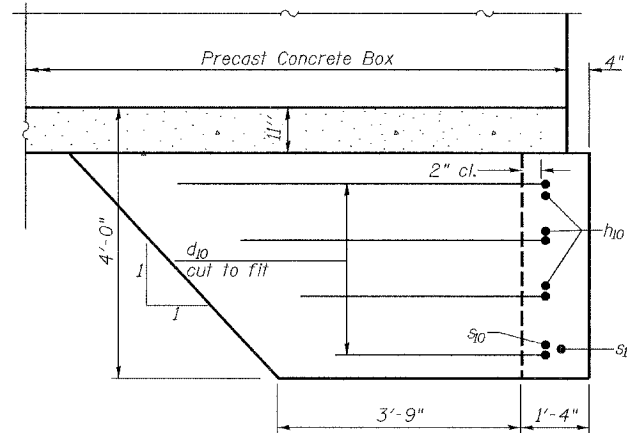


CORNER DETAIL

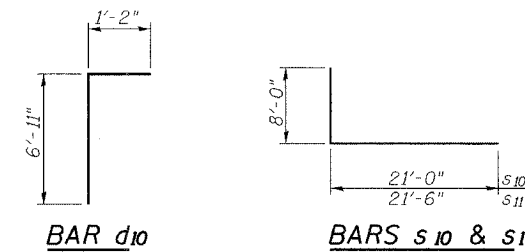
*Cost Included in Concrete Box Culverts



SECTION B-B

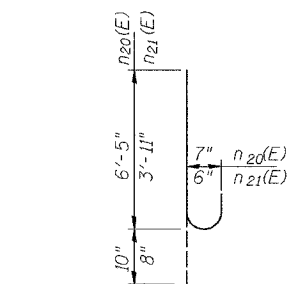


SECTION C-C



BAR d10

BARS s10 & s11



BARS n20(E) & n21(E)

Min. Bar Laps

#4 = 1'-4"
#5 = 1'-8"

BILL OF MATERIAL

Bar	No.	Size	Length (ft)	Shape
d10	16	#4	8'-1"	□
h10	12	#4	21'-0"	—
h20	76	#4	13'-4"	—
n20(E)	64	#7	7'-3"	U
n21(E)	60	#6	4'-7"	U
s10	8	#4	29'-0"	□
s11	8	#4	29'-6"	□
t20	124	#5	7'-8"	—
v20	20	#4	12'-8"	—
v21	20	#5	6'-0"	—
v22	24	#5	7'-8"	—
v23	20	#5	9'-3"	—
w20	48	#5	13'-4"	—
Precast Concrete Box Culverts 11'x9'			Foot	300
Concrete Box Culverts			Cu. Yd.	66.4
Reinforcement Bars			Pound	3580
Reinforcement Bars, Epoxy Coated			Pound	1360

Work this sheet with sheet 5 of 8.

ILLINOIS DEPARTMENT OF TRANSPORTATION	
SHEET TITLE CULVERT DETAILS	
PROJECT IL ROUTE 71 OVER UNNAMED STREAM FAP ROUTE 311 SECTION 5BR-1 LASALLE COUNTY STATION 260+23 STRUCTURE NUMBER 050-2043	PROJECT NO. 05025-2 SCALE DATE 01/13/06 DRAWN BY CFC CHECKED BY KFS/MCB DRAWING NO.
COOMBE-BLOXDORF P.C. Engineers / Land Surveyors Springfield, Illinois Design Firm License No. 184-002703	6 OF 8 SHTS