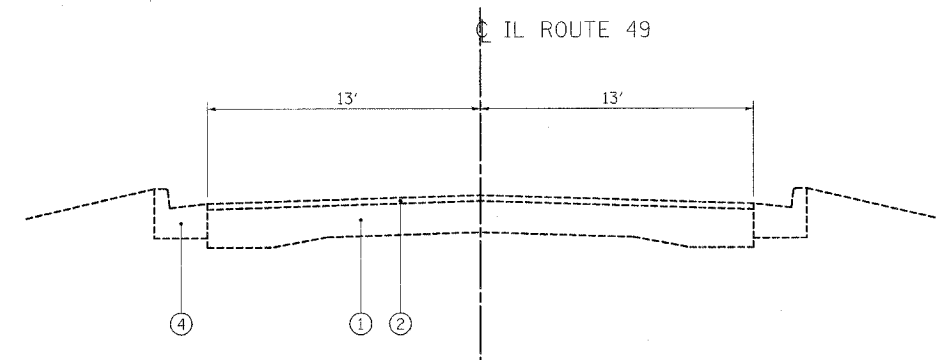


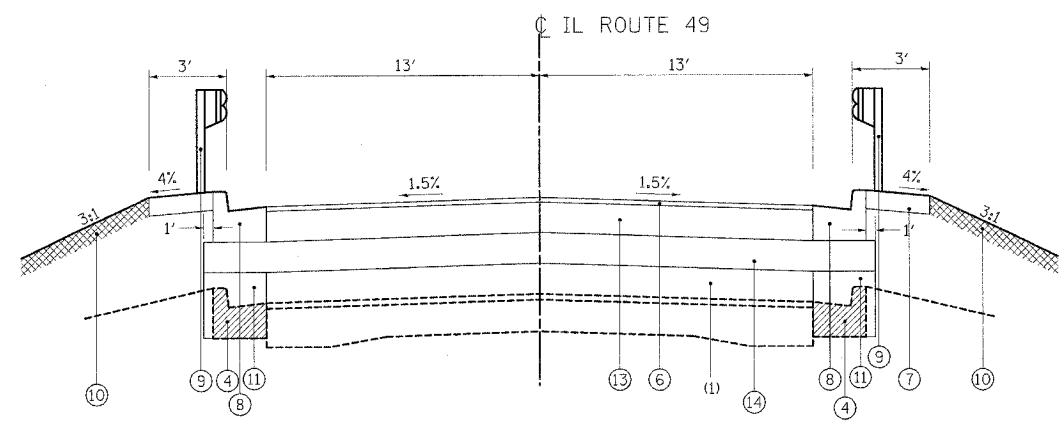
F.A.P. RTE.	SECTION	COUNTY	TOTAL SHEETS	SHEET NO.
840	123 BR-2	IROQUOIS	67	5
FED. ROAD DIST. NO. 7 ILLINOIS		FED. AID PROJECT		
CONTRACT NO. 66612				



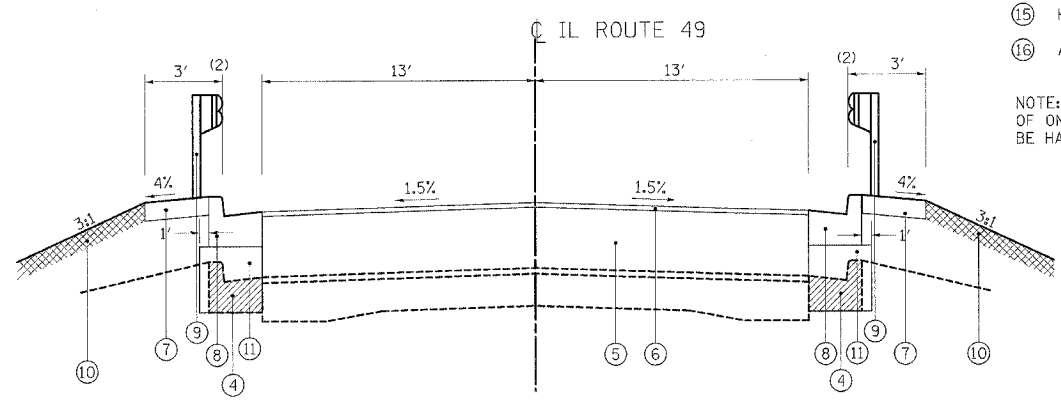
**EXISTING TYPICAL SECTION**  
NORTH OF BRIDGE  
STA. 285+74 TO 289+50

- LEGEND
- ① EXISTING P.C.C. PAVEMENT
  - ② EXISTING HOT-MIX ASPHALT SURFACE
  - ③ EXISTING AGGREGATE SHOULDER
  - ④ EXISTING CONCRETE CURB AND GUTTER, TYPE B-6.24 (TYP.) TO BE REMOVED
  - ⑤ HOT-MIX ASPHALT BINDER COURSE, VARIABLE DEPTH
  - ⑥ 1 1/2" HOT-MIX ASPHALT SURFACE COURSE, MIX "C", N50
  - ⑦ HOT-MIX ASPHALT SHOULDER, 8"
  - ⑧ COMBINATION CONCRETE CURB AND GUTTER, TYPE B-6.24 (TYP.)
  - ⑨ PROPOSED GUARDRAIL
  - ⑩ VEGETATION SUSTAINING TOPSOIL, 4" (SEE NOTE)
  - ⑪ SUB-BASE GRANULAR MATERIAL, TYPE B
  - ⑫ LEVELING BINDER (MACHINE METHOD), N50 (VARIABLE DEPTH)
  - ⑬ HOT MIX ASPHALT BINDER COURSE, 1 1/2"
  - ⑭ SUB-BASE GRANULAR MATERIAL, TYPE A, 12"
  - ⑮ HOT-MIX ASPHALT SURFACE REMOVAL, 2 1/4"
  - ⑯ AGGREGATE SHOULDERS, TYPE B, 6"

NOTE: REUSE EXISTING TOPSOIL WHENEVER POSSIBLE. WHEN EXISTING QUANTITY OF ON-SITE TOPSOIL IS NOT ADEQUATE, VEGETATION SUSTAINING TOPSOIL SHALL BE HAULED FROM OFF-SITE AND PAID FOR AS TOPSOIL EXCAVATION AND PLACEMENT.

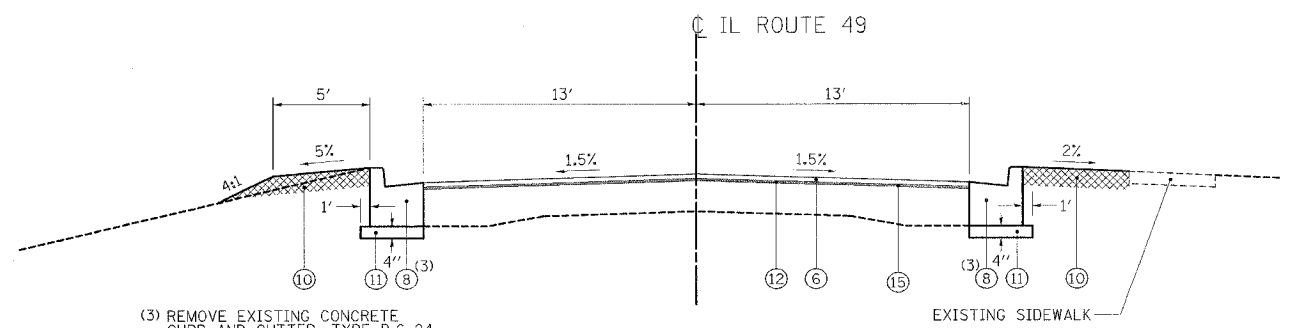


**PROPOSED TYPICAL SECTION**  
NORTH OF BRIDGE  
STA. 285+74 TO 286+25



**PROPOSED TYPICAL SECTION**  
NORTH OF BRIDGE  
STA. 286+25 TO 288+22  
(2) GUARDRAIL  
STA 286+25 TO 287+24, LT  
STA 286+25 TO 286+42, RT

(1) EMBANKMENT BETWEEN 12" SUB-BASE GRANULAR MATERIAL AND EXISTING PAVEMENT TO BE CONSTRUCTED WITH SUITABLE SOIL OR GRANULAR MATERIAL AND PAID FOR AS FURNISHED EXCAVATION.



**PROPOSED TYPICAL SECTION**  
NORTH OF BRIDGE  
STA. 288+22 TO 289+50

(3) REMOVE EXISTING CONCRETE CURB AND GUTTER, TYPE B.6-24

EXISTING SIDEWALK

PLOT SCALE: 1/2" = 1'-0"  
 PLOT TIME: 3:43:41 PM  
 PLOTTED BY: J. Tracey  
 A:\Projects\Road\Design\2007\Typical Model.dwg  
 MODEL NAME: TYPICAL

 Excellence through Ownership 200 West Front Street Wheaton, IL 60187	REVISIONS		ILLINOIS DEPARTMENT OF TRANSPORTATION F.A.P. ROUTE 840 (IL-49)  <b>TYPICAL SECTIONS</b>  SCALE: NOT TO SCALE DATE: AUGUST 7, 2007 DRAWN BY: BMH CHECKED BY: DWB
	NAME	DATE	