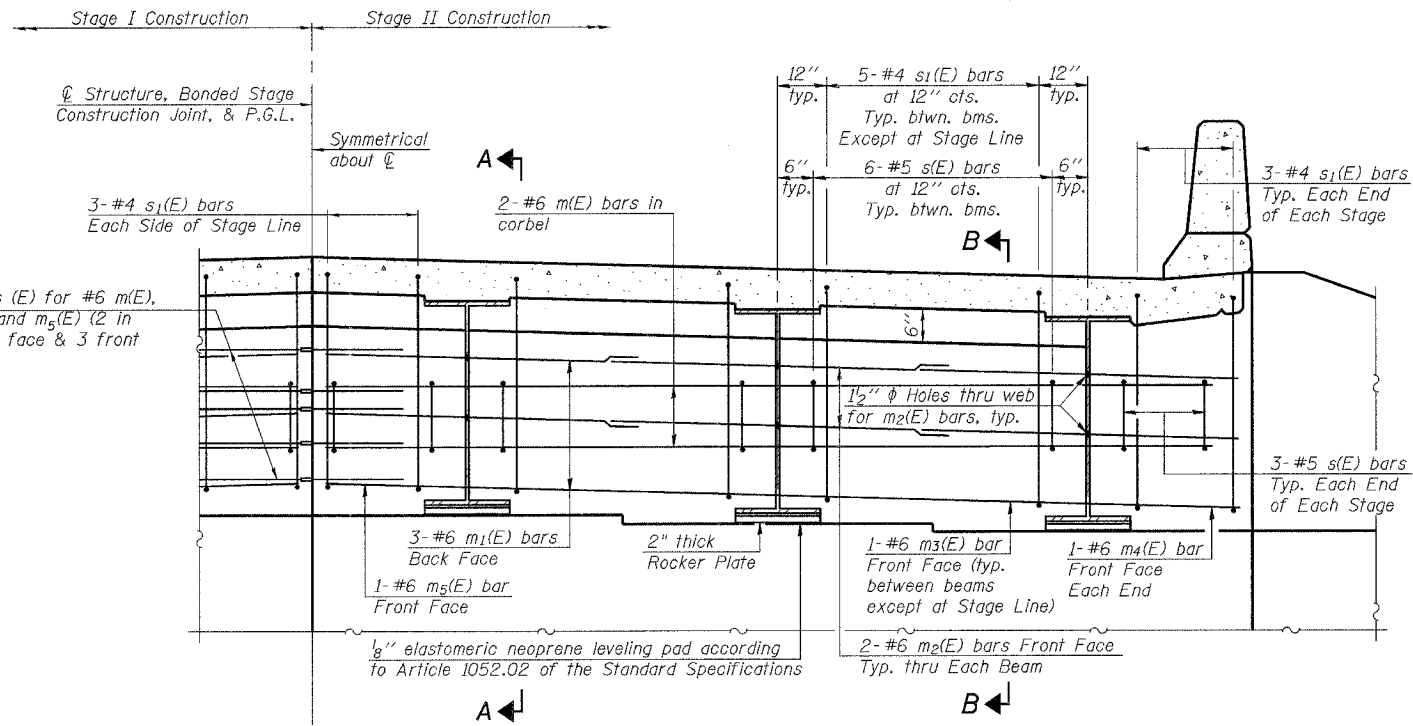


Contract #66612



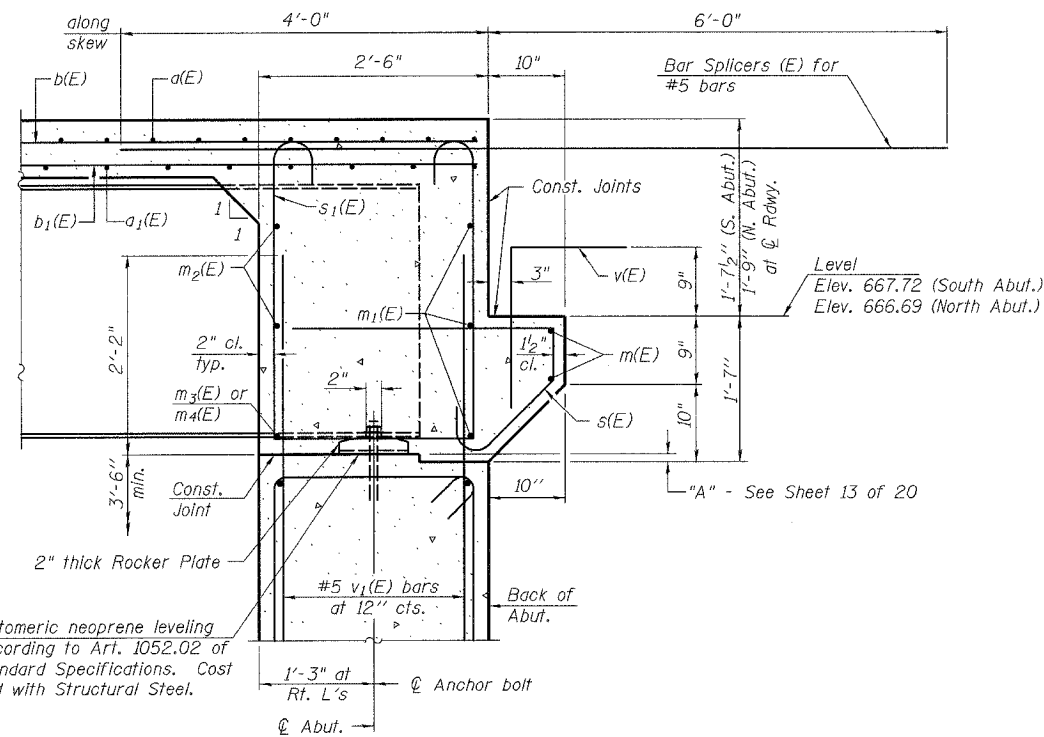
DIAPHRAGM ELEVATION AT ABUTMENT

(Looking North at North Diaphragm)
(Diaphragm at South Abutment is the same but mirrored)

Notes:
Reinforcement bars in diaphragm are billed with superstructure on sheet 9 of 20.
Concrete in diaphragm is included with Concrete Superstructure on sheet 9 of 20.
For details of bars s(E) & s1(E) see sheet 9 of 20.
The s(E) and s1(E) bars shall be placed parallel to the beams. Spacing for these bars shall be at right angles to the beams.
See Sheet 16 of 20 for Bar Splicer Details.

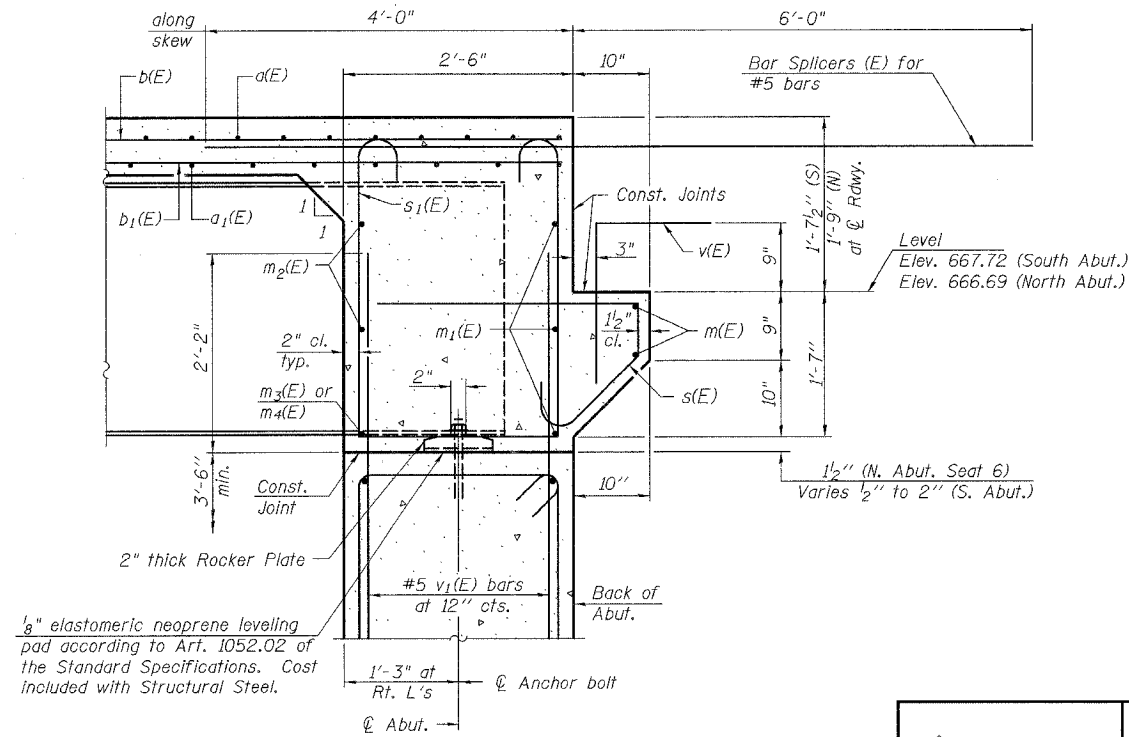
MIN. BAR LAP

#6 bar = 2'-9"



SECTION A-A

(Seats 3 & 4 South Abut., Seats 1-5 North Abut.)
Dimensions at right angles to abutment, except as shown.



SECTION B-B

(Seats 1, 2, 5, & 6 South Abut., Seat 6 North Abut.)
Dimensions at right angles to abutment, except as shown.

<p>Excellence through Ownership</p> <p>200 West Front Street Wheaton, IL 60187</p>	<p>ILLINOIS DEPARTMENT OF TRANSPORTATION</p> <p>DIAPHRAGM DETAILS IL RT. 49 OVER PIGEON CREEK FAP RTE 840 - SECTION 123 BR-2 IROQUOIS COUNTY STATION 284+75.00 STRUCTURE NO. 038-0217</p>
	<p>DATE: 8/7/2007</p> <p>DRAWN BY LCM CHECKED BY WJV</p>