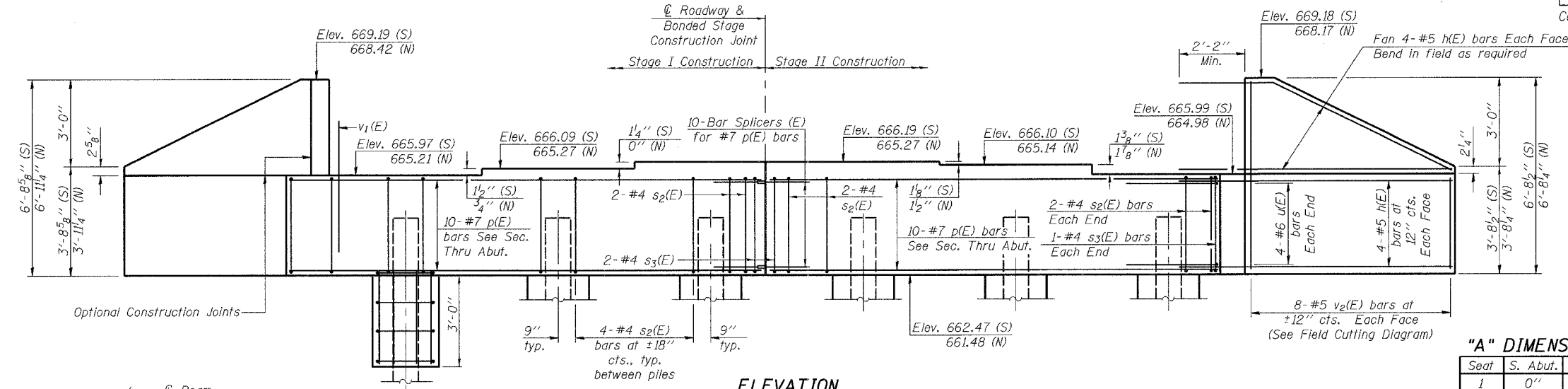
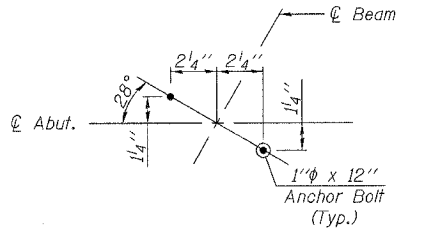


Contract #66612

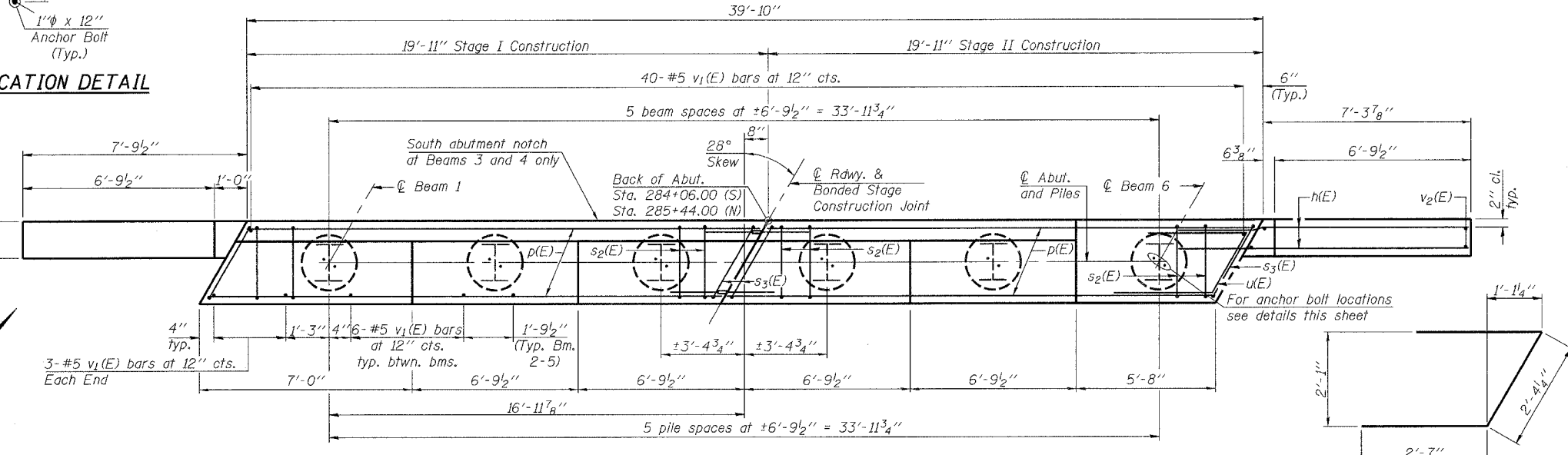


ELEVATION

Looking perpendicular to North Abutment
South Abutment is similar but mirrored.

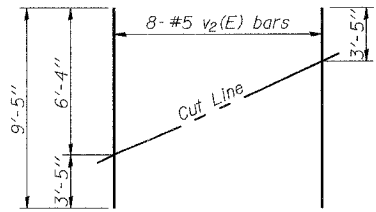


ANCHOR BOLT LOCATION DETAIL



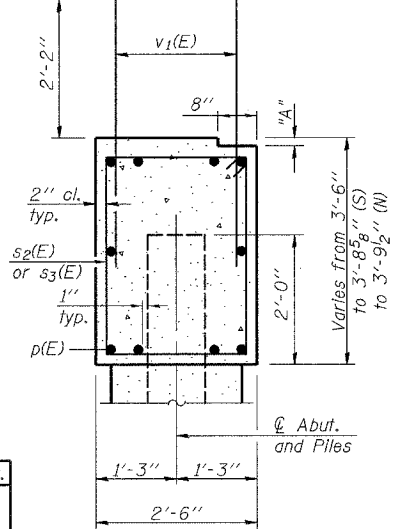
PLAN

North Abutment shown
South Abutment similar by rotation



FIELD CUTTING DIAGRAM

Order v2(E) full length. Cut as shown and use remainder of bars in opposite face.



SEC. THRU ABUT.

Dimensions at right angles to abutments

"A" DIMENSIONS

Seat	S. Abut.	N. Abut.
1	0"	1 1/4"
2	0"	1 9/8"
3	5 5/8"	1 7/8"
4	5 5/8"	1 7/8"
5	0"	3 3/8"
6	0"	0"

BILL OF MATERIAL
(2 Abutments)

Bar	No.	Size	Length	Shape
h(E)	64	#5	10'-6"	—
p(E)	40	#7	19'-6"	—
s2(E)	48	#4	11'-5"	□
s3(E)	8	#4	12'-0"	□
u(E)	16	#6	7'-7"	—
v1(E)	152	#5	4'-4"	—
v2(E)	32	#5	9'-5"	—
Structure Excavation		Cu. Yd.	127.5	
Concrete Structures		Cu. Yd.	32.4	
Reinforcement Bars, Epoxy Coated		Pound	3910	
Furnishing Steel Piles HP 12x53		Foot	490	
Driving Piles		Foot	490	
Test Pile Steel HP 12x53		Each	2	
Concrete Encasement		Cu. Yd.	4.2	
Bar Splicers		Each	20	

*Structure Excavation for S. Abut. = 59.7 Cu. Yd., N. Abut. = 67.8 Cu. Yd.

Notes:
 Four steps monolithically with cap.
 All edges shall have standard 3/4" chamfers.
 The Steel H-Piles shall be according to AASHTO M270 Grade 50.
 For details of Bar Splicers, see Sheet 16 of 20.
 For details of piles and Concrete Encasement, see Sheet 15 of 20.
 Space reinforcement in cap to miss anchor bolts.

PILE DATA

Type & Size: Steel HP 12x53
 Nominal Required Bearing: 279 Kips
 Factored Resistance Available: 93 Kips
 Est. Length: 53' (South Abutment), 45' (North Abutment)
 No. Production Piles: 5 (South Abutment), 5 (North Abutment)
 No. Test Piles: 1 (South Abutment), 1 (North Abutment)



Excellence through Ownership
 200 West Front Street
 Wheaton, IL 60187

ILLINOIS DEPARTMENT OF TRANSPORTATION

ABUTMENTS
 IL RT. 49 OVER PIGEON CREEK
 FAP RTE 840 - SECTION 123 BR-2
 IROQUOIS COUNTY
 STATION 284+75.00
 STRUCTURE NO. 038-0217

DATE: 8/7/2007

DRAWN BY JMT
 CHECKED BY WJV