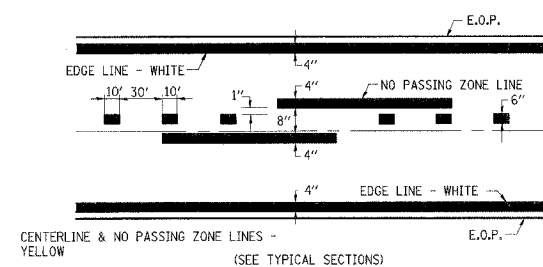
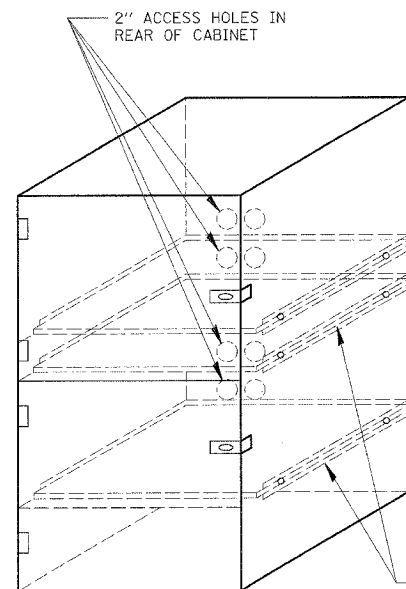


REMOVAL OF EXISTING HMA SHOULDER

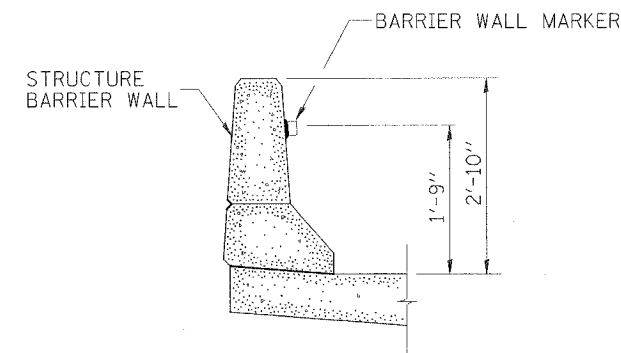


PAVEMENT MARKING



- NOTES:
1. USE 16 GAUGE STEEL FOR CABINET.
 2. THE TOP SHELF SHALL SLIDE IN OR OUT WITH THE TOP DOOR OPEN.
 3. ALL HINGES AND HASPS WILL BE WELDED TO THE CABINET.
 4. ALL EDGES SHALL BE GROUND SMOOTH.
 5. TWO (2" DIA.) ACCESS HOLES WILL BE REQUIRED FOR EACH SHELF.
 6. CABINET SHALL BE PAINTED WITH TWO COATS OF FLAT PAINT.
 7. 2 EACH MATCHING KEY PADLOCKS, WITH 3 KEYS PROVIDED, MASTER MODEL 3 T OR EQUIVALENT.
 8. 4 EACH PLAIN STEEL, NON-REMOVABLE PIN, NO HOLE 4"X4" SQUARE CORNER HINGES TO BE WELDED ON.
 9. 2 EACH EXTRA HEAVY, PLAIN STEEL, FIXED STAPLE, NO HOLE, 7 1/4" HASPS TO BE WELDED ON.

LOCKABLE COMPUTER CABINET



BARRIER WALL MARKER

PLOT SCALE: 1:20
 PLOT DATE: 8/7/2007
 PLOT TIME: 3:43:54 PM
 PLOT FILE: K:\V\2007\road\design\20070807_Dist04.dwg
 MODEL NAME: Dist04.dwg

<p>Excellence through Ownership</p> <p>200 West Front Street Wheaton, IL 60187</p>	REVISIONS		ILLINOIS DEPARTMENT OF TRANSPORTATION F.A.P. ROUTE 840 (IL-49)
	NAME	DATE	
<p>DETAILS</p> <p>SCALE: NOT TO SCALE DATE: AUGUST 7, 2007</p>			<p>DRAWN BY: JMC CHECKED BY: DWB</p>