

Benchmark: Cut box at S. end of W. conc. parapet wall of North bound IL Rte. 89 over I-80. Elev = 679.04
 Existing Structures: SNO06-0108 & SNO06-0109 were originally built as IL Route 89 over FAI Rte 80, Section 06-8HB in 1960. The bridges were rehabilitated in 1986 & new stainless steel hinge pins were installed in 1999. The existing bridges are four span bridges, 225'-2" long by 24'-6" wide. The deck is supported by wide flange steel beams, continuous over hammerhead piers and hinged 24' from the open abutments on a 13°-43' skew angle.
 Existing structures to be removed and replaced utilizing stage construction.

Salvage: None.

STATE OF ILLINOIS
 DEPARTMENT OF TRANSPORTATION



ROUTE NO.	SECTION	COUNTY	SHEETS	SHEET NO.
FAI 80	06-8HBR	BUREAU	165	72
FED. ROAD DIST. NO. 7		ILLINOIS		FED. AID PROJECT:

Contract # 66641

LOADING HS20-44
 Allow 50 psf for future wearing surface.
DESIGN STRESSES
 $f'_c = 3,500$ psi
 $f_y = 60,000$ psi (Reinforcement)
 $f_y = 50,000$ psi (W270 Gr 50 Structural Steel)
DESIGN SPECIFICATIONS
 2002 AASHTO Standard Specifications for Highway Bridges
SEISMIC DATA
 Seismic Performance Category (SPC) = A
 Bedrock Acceleration Coefficient (A) = 0.04g
 Site Coefficient (S) = 1.0

For Sheets 1 to 15 and 19 to 22

Brad H. Sayers
 BRAD H. SAYERS, S.E.
 IL. LIC. NO. 081-006267
 EXP 10-30-08
 DATE 8-10-07

For Sheets 16 to 18

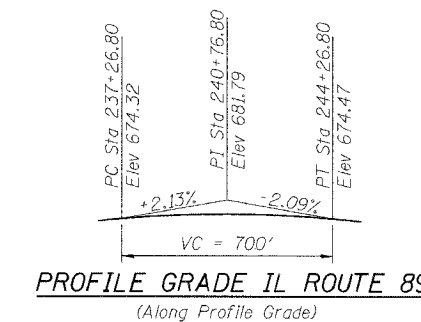
Michael T. Haley
 MICHAEL T. HALEY, S.E.
 IL. LIC. NO. 081-005991
 EXP 11-30-08
 DATE 8-10-07

STATION 3702+69.82
 BUILT 200_ BY
 STATE OF ILLINOIS
 F.A.I. ROUTE 80 SEC. 06-8HBR
 LOADING HS20 & ALT.
 STR. NO. 006-0178

NAME PLATE
 See Std 515001

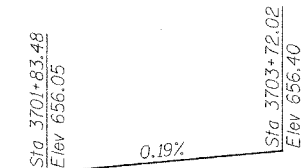
APPROVED
 FOR STRUCTURAL ADEQUACY ONLY

Ralph E. Anderson (TS)
 ENGINEER OF BRIDGES AND STRUCTURES

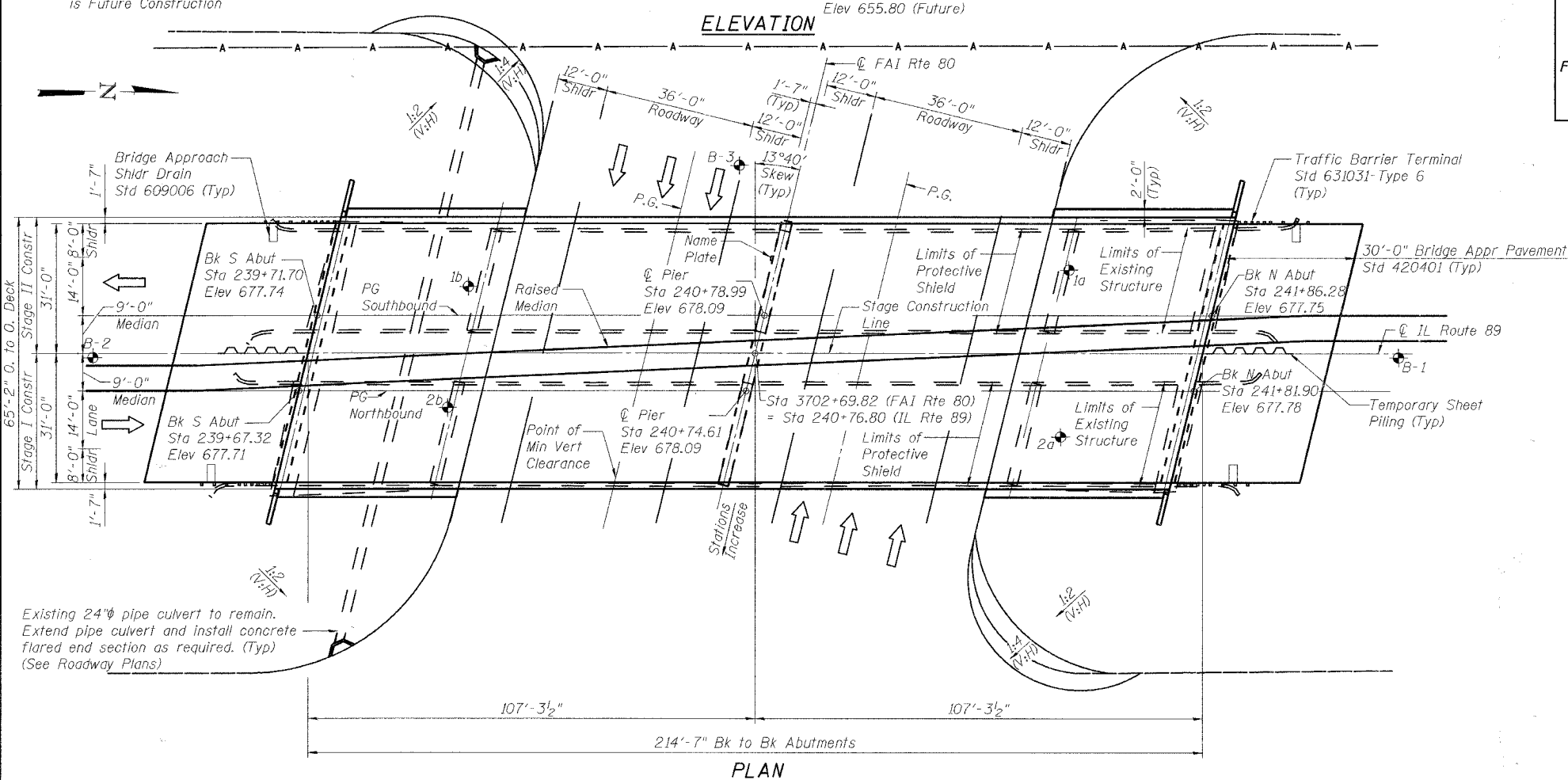
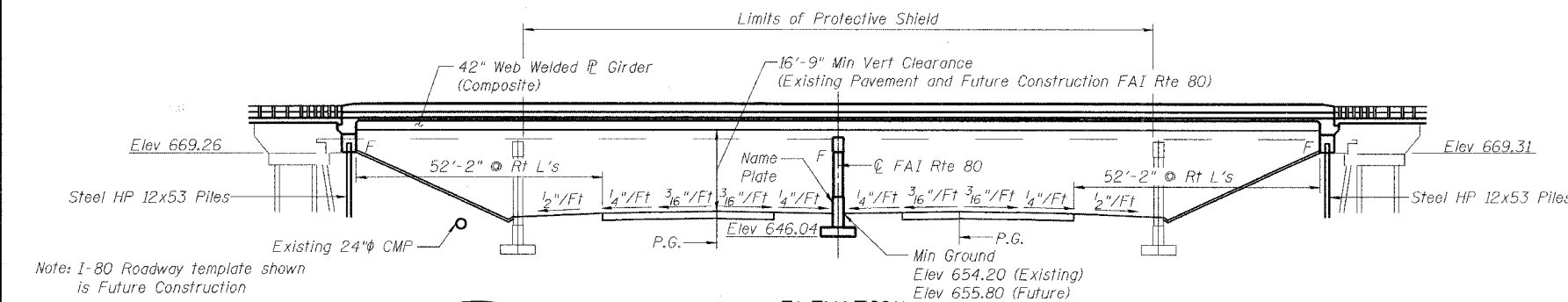


****PROFILE GRADE I-80 (WB)**
 (Future Construction)

**Note: The Profile Grade for Future Construction is assumed to equal the profile at the existing I-80 (EB) and I-80 (WB), respectively.



****PROFILE GRADE I-80 (EB)**
 (Future Construction)

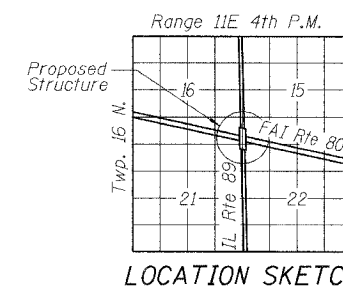


NO GRADING OR EXCAVATING LOCATIONS
 (See Special Provisions)

BORING	STATION	OFFSET
1660-1a	241+52	20' Lt
1660-1b	240+08	16' Lt
1660-2a	241+50	20' Rt
1660-2b	240+03	13' Rt

LEGEND

- F - Fixed Bearing
- - Soil Boring
- A — Existing Aerial Line



GENERAL PLAN
 IL ROUTE 89 OVER
 FAI ROUTE 80 (I-80)
 SECTION 06-8HBR
 BUREAU COUNTY
 STATION 3702+69.82
 STRUCTURE NO. 006-0178

DESIGNED	BPS
CHECKED	BHS
DRAWN	RRG
CHECKED	GSP

PLOT DATE = 7/26/2007
 FILE NAME = C:\PROJECTS\2006\089_0802\CADD\IL89BR.GRLEL.e
 PLOT SCALE = N/A
 USER NAME = 2006a-b

