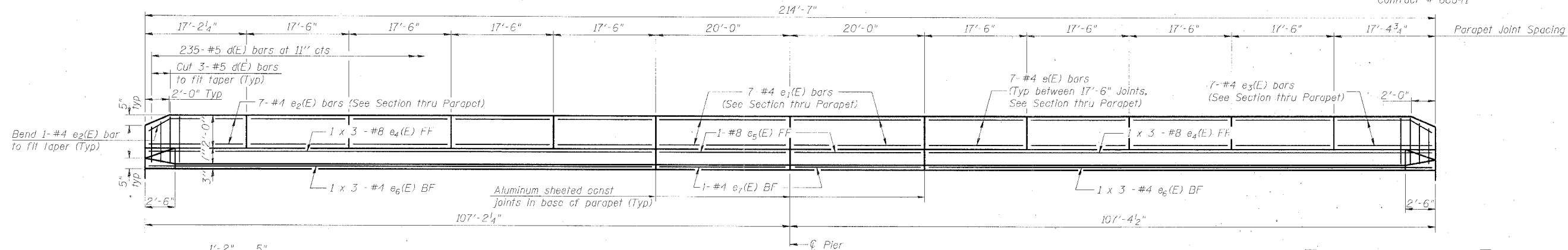


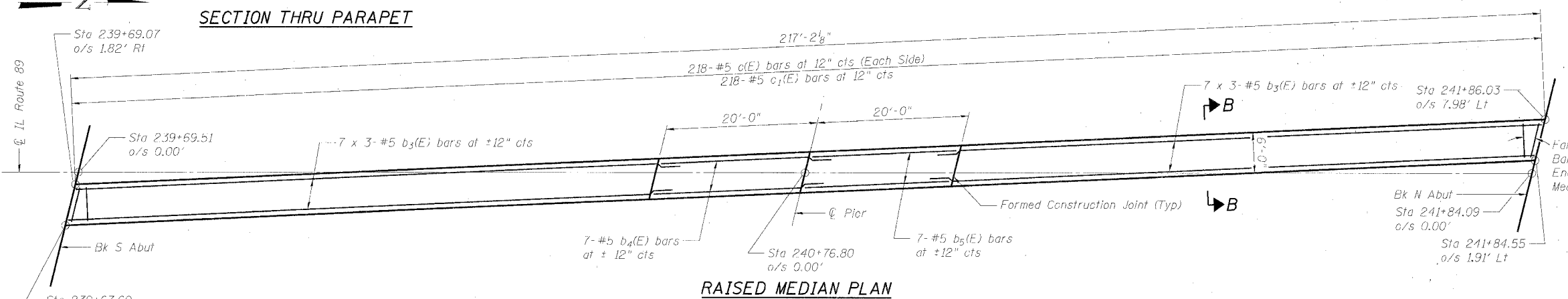
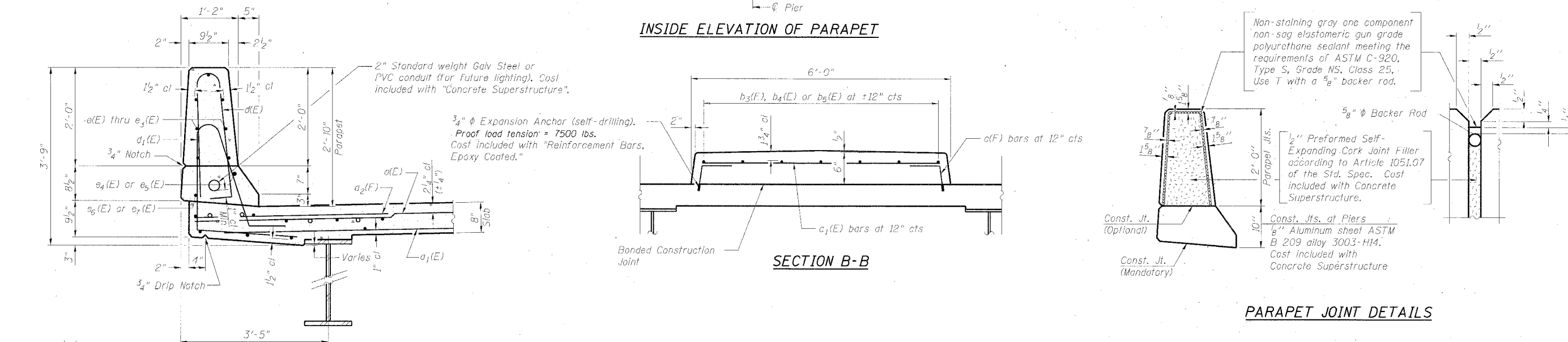
STATE OF ILLINOIS  
DEPARTMENT OF TRANSPORTATION

ROUTE NO.	SECTION	COUNTY	SHEET NO.	SHEET NO.
FAI 80	06-8HBR	DUREAU	155	62
FED. ROAD DIST. NO. 7	ILLINOIS	FED. AID PROJECT		

Contract # 66641



INSIDE ELEVATION OF PARAPET



See Sheet No. 12 for reinforcement bar details. Bars indicated thus 1 x 3 - #5 etc. indicates 1 line of bars with 3 lengths per line.

DESIGNED	BPS
CHECKED	BHS
DRAWN	RRG
CHECKED	GSP

MINIMUM BAR LAPS

- #4 - 1'-8"
- #5 - 2'-2"
- #8 - 4'-6"

LEGEND

- FF = Front Face
- BF = Back Face

SUPERSTRUCTURE DETAILS (1 OF 2)

IL ROUTE 89 OVER  
FAI ROUTE 80 (I-80)  
SECTION 06-8HBR  
BUREAU COUNTY  
STATION 3702+69.82  
STRUCTURE NO. 006-0178

PLOT DATE = 7/29/2007  
 FILE NAME = C:\pwork\proj1\2004\0891\_002\cadd\IL89BR.DEC2.dwg  
 PLOT SCALE = N/A  
 USER NAME = zhangmb

