

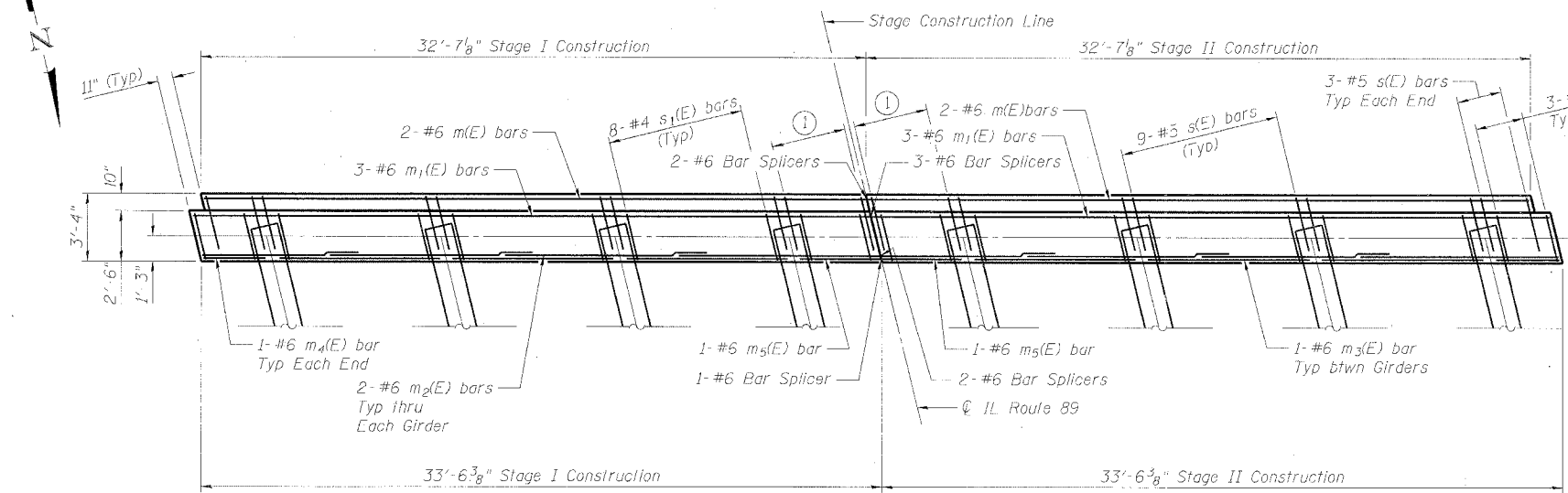
STATE OF ILLINOIS
DEPARTMENT OF TRANSPORTATION

ROUTE NO.	SECTION	COUNTY	STATIONING	SHEET NO.
FAI 80	06-8HBR	BUREAU	165 83	22 SHEETS
FED. ROAD DIST. NO. 7		FED. ROAD PROJECT		

Contract # 66641

**SUPERSTRUCTURE
BILL OF MATERIAL**

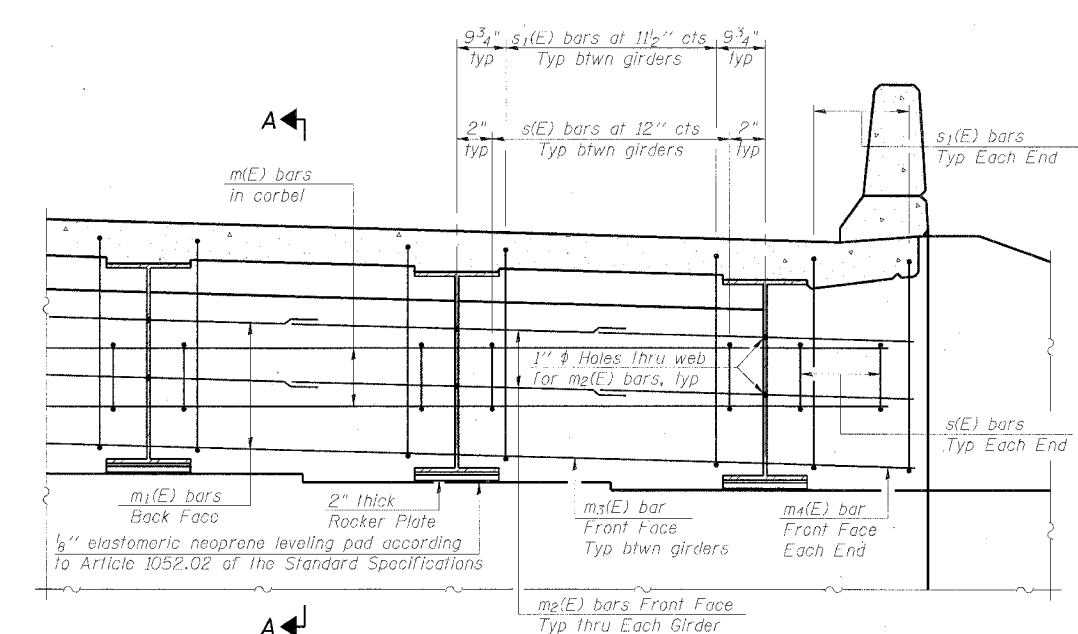
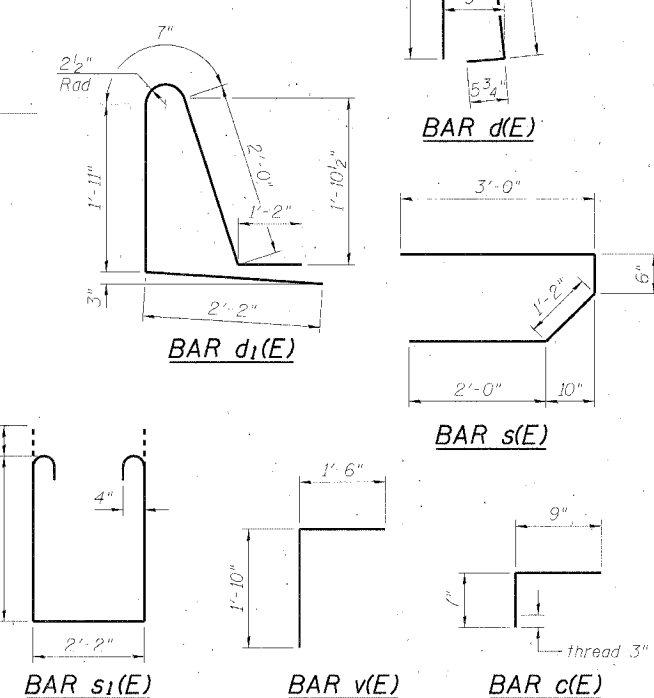
Bar	No.	Size	Length	Shape	
a(E)	934	#5	32'-1"	—	
a ₁ (E)	644	#5	31'-7"	—	
a ₂ (E)	468	#6	6'-0"	—	
a ₃ (E)	8	#5	33'-0"	—	
b(E)	560	#5	28'-9"	—	
b ₁ (E)	198	#6	25'-7"	—	
b ₂ (E)	490	#5	32'-6"	—	
b ₃ (E)	42	#5	31'-8"	—	
b ₄ (E)	7	#5	22'-0"	—	
b ₅ (E)	7	#5	19'-8"	—	
c(E)	436	#5	1'-4"	┌	
c ₁ (E)	218	#5	5'-4"	—	
d(E)	470	#5	5'-7"	└	
d ₁ (E)	470	#5	7'-10"	└	
e(E)	112	#4	17'-2"	—	
e ₁ (E)	28	#4	19'-8"	—	
e ₂ (E)	14	#4	16'-10"	—	
e ₃ (E)	14	#4	17'-0"	—	
e ₄ (E)	12	#8	32'-1"	—	
e ₅ (E)	4	#8	19'-8"	—	
e ₆ (E)	12	#4	30'-6"	—	
e ₇ (E)	4	#4	19'-8"	—	
m(E)	8	#6	32'-3"	—	
m ₁ (E)	12	#6	33'-2"	—	
m ₂ (E)	32	#6	11'-4"	—	
m ₃ (E)	12	#6	8'-2"	—	
m ₄ (E)	4	#6	3'-1"	—	
m ₅ (E)	4	#6	3'-11"	—	
s(E)	140	#5	6'-8"	└	
s ₁ (E)	124	#4	11'-0"	└	
v(E)	128	#5	3'-4"	└	
Reinforcement Bars, Epoxy Coated				Pound	115,460
Concrete Superstructure				Cu Yd	480.4



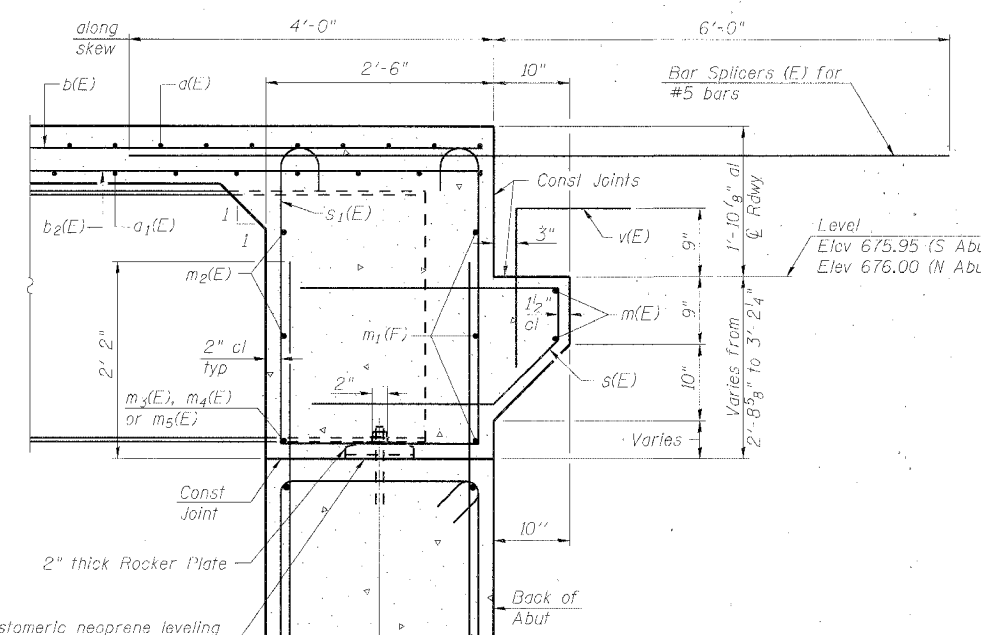
DIAPHRAGM PLAN

(South Abutment shown, North Abutment similar)

① 5-#5 s(E) bars, 4-#5 s₁(E) bars



DIAPHRAGM ELEVATION AT ABUTMENT



SECTION A-A

Dimensions at right angles to abutment, except as shown.

Notes:
Concrete in diaphragm and median is included with Concrete Superstructure.
The s(E) and s₁(E) bars shall be placed parallel to the girders. Spacing for these bars shall be at right angles to the girders.
Bars indicated thus 1 x 8 - #5 etc. indicates 1 line of bars with 8 lengths per line.

SUPERSTRUCTURE DETAILS (2 OF 2)

IL ROUTE 89 OVER
FAI ROUTE 80 (I-80)
SECTION 06-8HBR
BUREAU COUNTY
STATION 3702+69.82
STRUCTURE NO. 006-0178

MIN. BAR LAP
#6 bar = 2'-9"

DESIGNED	BPS
CHECKED	BHS
DRAWN	RRG
CHECKED	GSP

PLOT DATE = 7/29/2007
FILE NAME = C:\p1\12844881.dwg
PLOT SCALE = 1/8\"/>

