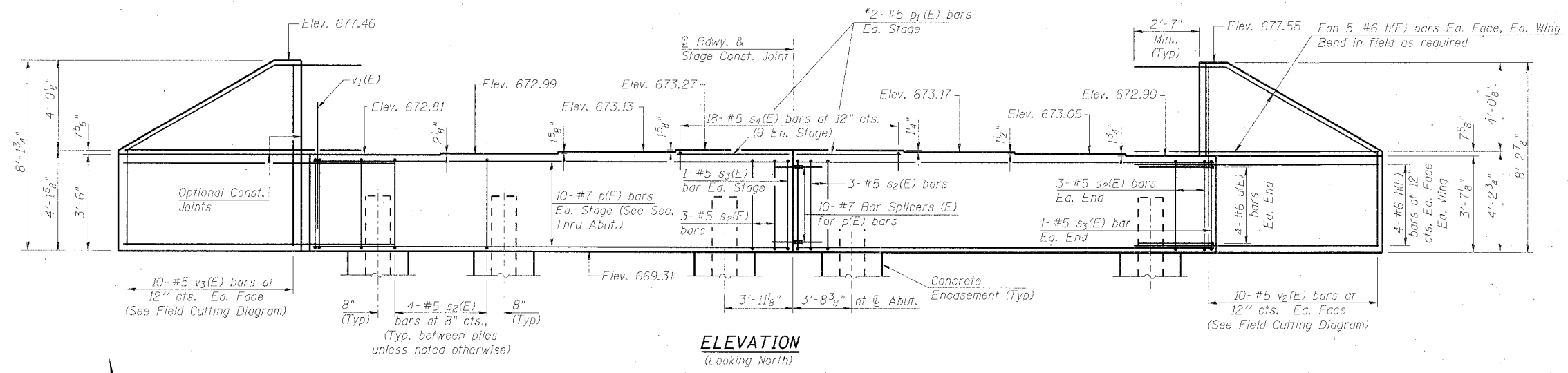


STATE OF ILLINOIS  
DEPARTMENT OF TRANSPORTATION

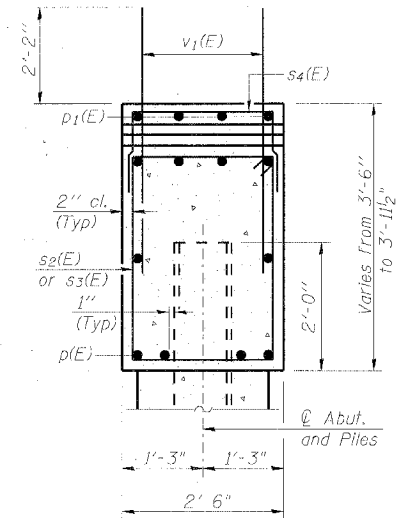
ROUTE NO.	SECTION	COUNTY	TOTAL SHEETS	SHEET NO.	SHEET NO. 17 22 SHEETS
FAI 80	06-8HBR	BURFAU	165	88	
FED. ROAD DIST. NO. 7		ILLINOIS	FED. AID PROJECT		

Contract # 66641

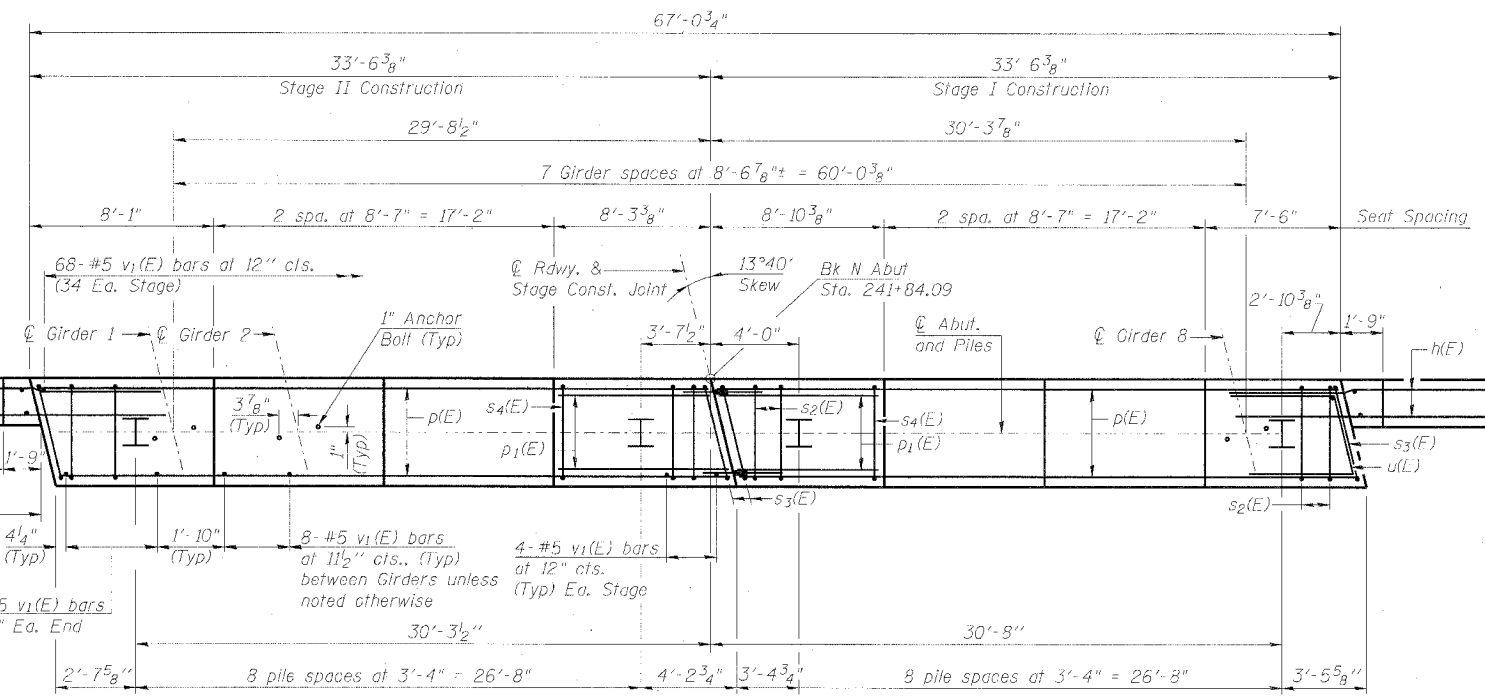
Notes: Four steps monolithically with cap.  
Space reinforcement in cap to miss anchor bolts.



**ELEVATION**  
(Looking North)



**SEC. THRU ABUT.**  
(Dimensions at Rt. Ends)



**PLAN**

**MINIMUM BAR LAP**  
#5 bar = 2'-2"  
#6 bar = 2'-7"

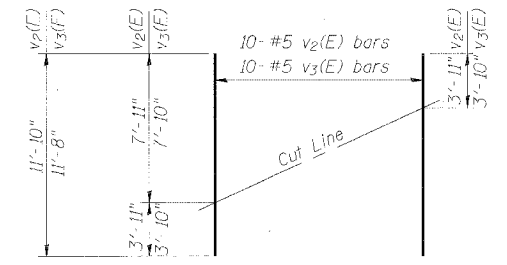
**PILE DATA**

Type: Steel HP12x53  
Nominal Required Bearing: 270 kips  
Allowable Resistance Available: 90 kips  
Est. Length: 42 Ft.  
No. Production Piles: 17  
No. Test Piles: 1

For details of Bar Splicers, see Sheet No. 19.  
For details of Piles and Concrete Encasement, see Sheet No. 20.  
For details of Integral Abutment Bearing, see Sheet No. 15.  
For drainage details, see Section Thru Integral Abutment on Sheet No. 2.

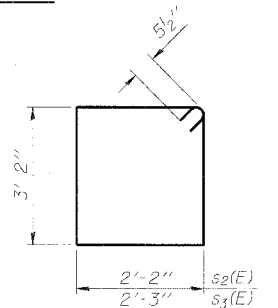
**BILL OF MATERIAL**  
(North Abutment)

Bar	No.	Size	Length	Shape
h(E)	36	#6	12'-6"	—
p(E)	20	#7	33'-2"	—
p1(E)	4	#5	16'-6"	—
s2(E)	76	#5	11'-7"	□
s3(E)	4	#5	11'-9"	□
s4(E)	18	#5	6'-6"	□
u(E)	8	#6	7'-3"	└
v1(E)	132	#5	4'-4"	—
v2(E)	10	#5	11'-10"	—
v3(E)	10	#5	11'-8"	—
Structure Excavation			Cu. Yd.	257
Concrete Structures			Cu. Yd.	28.3
Porous Granular Embankment (Special)			Cu. Yd.	84
Geocomposite Wall Drain			Sq. Yd.	88
Pipe Underdrain for Structures 4"			Foot	63
Reinforcement Bars, Epoxy Coated			Pound	4,120
Furnishing Steel Piles HP 12x53			Foot	714
Driving Piles			Foot	714
Test Pile Steel HP 12x53			Each	1
Concrete Encasement			Cu. Yd.	6.3

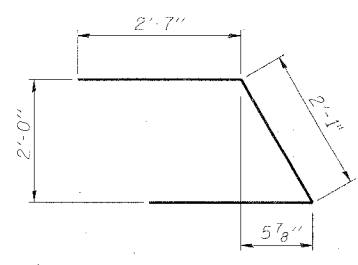


**FIELD CUTTING DIAGRAM**

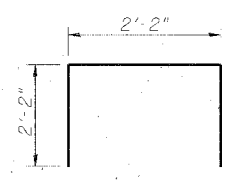
Order v2(E) and v3(E) full length. Cut as shown and use remainder of bars in opposite face.



**BARS s2(E) & s3(E)**



**BAR u(E)**



**BAR s4(E)**

DESIGNED	ADB
CHECKED	DLS
DRAWN	ADB
CHECKED	MTH

PLOT DATE = 7/30/2007  
 FILE NAME = g:\projects\2005\889\_002\add\1189BR\_ABN.dwg  
 PLOT SCALE = N/A  
 USER NAME = zsiglerb

**NORTH ABUTMENT**  
IL ROUTE 89 OVER  
FAI ROUTE 80 (I-80)  
SECTION 06-8HBR  
BUREAU COUNTY  
STATION 3702+69.82  
STRUCTURE NO. 006-0178