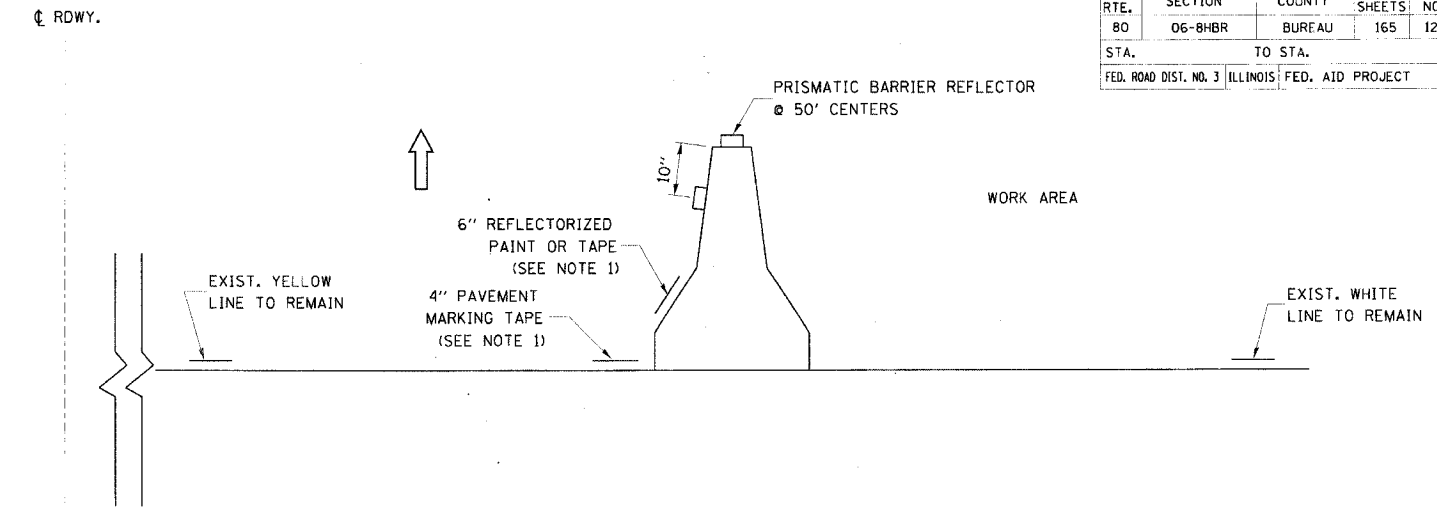
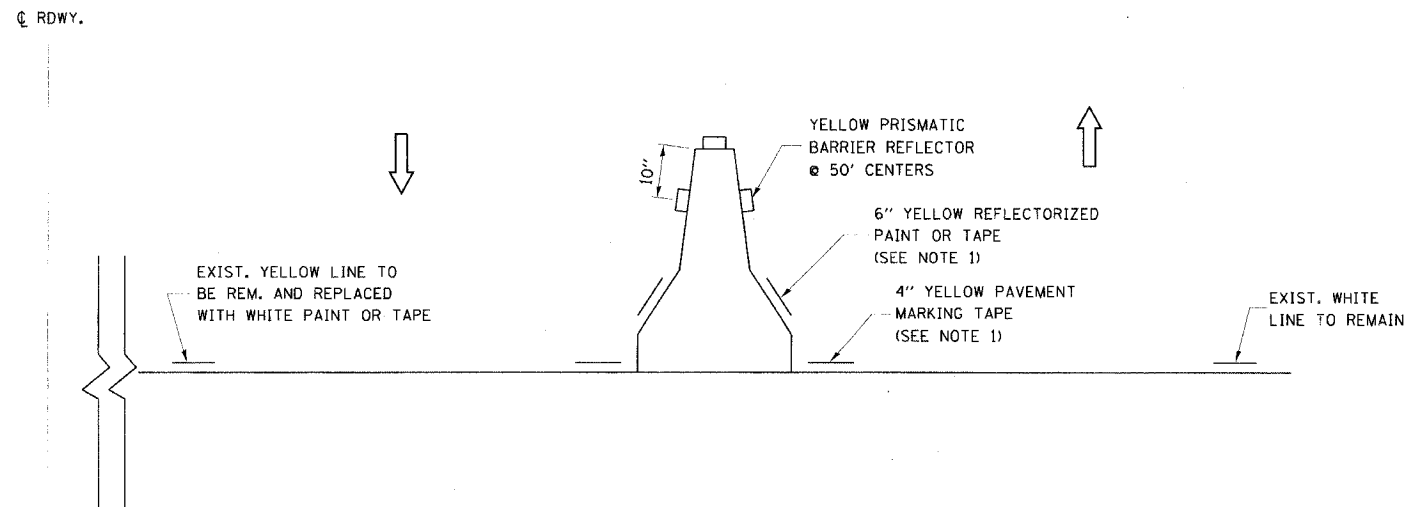


F.A.I. RTE.	SECTION	COUNTY	TOTAL SHEETS	SHEET NO.
80	06-BHBR	BUREAU	165	122
STA.		TO STA.		
FED. ROAD DIST. NO. 3		ILLINOIS FED. AID PROJECT		



NOTES:

1. THE CONTRACTOR HAS THE OPTION OF USING EITHER THE LINE ON THE TEMPORARY CONCRETE BARRIER OR ON THE PAVEMENT.
2. THE COST OF THE REFLECTORS AND THE BARRIER/PAVEMENT MARKING LINE IS INCLUDED IN THE COST OF THE TEMPORARY CONCRETE BARRIER.

DESIGNER NOTES:

TO BE USED WITH STANDARD 701416

701-2

NOTES:

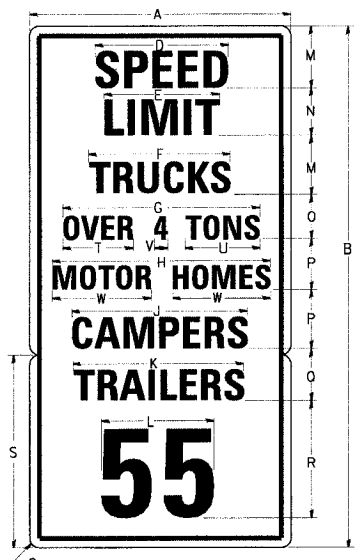
1. THE CONTRACTOR HAS THE OPTION OF USING EITHER THE LINE ON THE TEMPORARY CONCRETE BARRIER OR ON THE PAVEMENT.
2. THE COLOR OF THE REFLECTORS AND PAVEMENT/BARRIER MARKING LINE WILL VARY WITH STAGING AND SHALL MATCH THE EXISTING LINE IN THE WORK AREA.
3. THE COST OF THE REFLECTORS AND THE PAVEMENT/BARRIER MARKING LINE IS INCLUDED IN THE COST OF THE TEMPORARY CONCRETE BARRIER.

DESIGNER NOTES:

TO BE USED WITH STANDARD 701401. IF ALSO USING TEMPORARY CONCRETE BARRIER

701-3

ILLINOIS STANDARD R2-1104a



COLOR: LEGEND AND BORDER BACKGROUND BLACK NON-REFLECTORIZED WHITE REFLECTORIZED

SIGN SIZE	DIMENSIONS										
	A	B	C	D	E	F	G	H	J	K	
48 x 96	48.0	96.0	3.0	28.3	22.1	24.5	29.0	32.2	29.5	30.4	

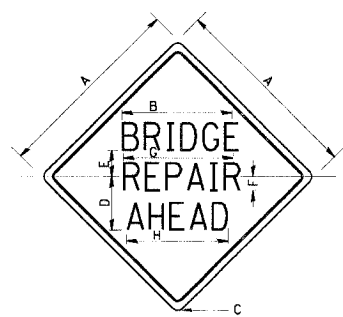
SIGN SIZE	DIMENSIONS										
	L	M	N	O	P	R	S	T	U	V	W
48 x 96	23.2	11.0	9.0	7.0	10.0	8.0	22.0	36.0	10.9	10.5	8.5

SIGN SIZE	SERIES								MAR-GEN	BOR-DER	BLANK STD.
	1	2	3	4	5	6	7	8			
48 x 96	6E	6E	6C	4C	6B	6C	6C	16E	1.0	1.0	B5-4860 B5-3648

ALL DIMENSIONS IN INCHES.

702-1

ILLINOIS STANDARD W21-1102



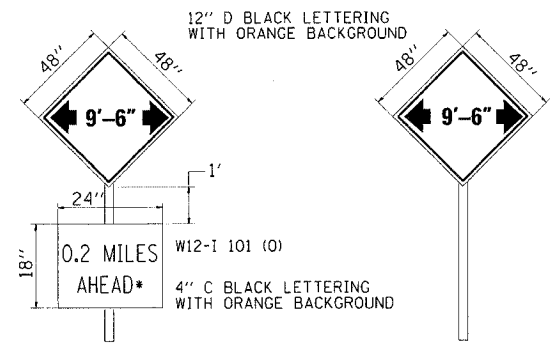
COLOR: LEGEND AND BORDER BACKGROUND BLACK ORANGE NON-REFLECTORIZED REFLECTORIZED

SIGN SIZE	DIMENSIONS							
	A	B	C	D	E	F	G	H
36 x 36	36.0	22.3	2.25	10.8	5.6	3.0	21.9	20.7
48 x 48	48.0	26.0	3.0	14.5	7.5	3.5	25.5	24.1

SIGN SIZE	SERIES			MARGIN	BORDER	BLANK STD.
	1	2	3			
36 x 36	5C	5C	5C	0.6	0.8	B4-36D
48 x 48	7C	7C	7C	0.8	1.2	B4-48D

ALL DIMENSIONS IN INCHES.

702-4



TO BE POST MOUNTED. TWO REQUIRED/ONE AT THE JUNCTION OF US 34 AND IL 89 (SB) AND ONE REQUIRED AT THE JUNCTION OF US 6 AND IL 89 (NB).

THE CONTRACTOR SHALL NOTIFY DISTRICT 3 BUREAU OF OPERATIONS 14 CALENDAR DAYS PRIOR TO INSTALLING ANY TRAFFIC CONTROL DEVICES THAT WILL RESTRICT THE PAVEMENT WIDTH.

* 0.2 MILES FOR US6/IL89 INTERSECTION, 13 MILES AHEAD FOR US 34/IL 89.

THIS ITEM SHALL NOT BE PAID FOR SEPEARTELY, BUT INCLUDED IN THE COST OF TRAFFIC CONTROL COMPLETE TO BE USED DURING STAGE I AND STAGE II.

WIDTH RESTRICTION SIGNING DETAILS

REVISIONS	
NAME	DATE

ILLINOIS DEPARTMENT OF TRANSPORTATION
IL ROUTE 89 OVER I-80

DISTRICT 3 DETAILS

SCALE: VERT. NONE
HORIZ. 1" = 20'
DATE: 08/10/07

DRAWN BY ACE/CAD
CHECKED BY TMH

PLOT DATE = 8/10/2007
 FILE NAME = g:\projects\2004\8881_882\cadd\89\std\89r.dwg
 PLOT SCALE = 1/8" = 1'-0"
 USER NAME = zbrnnd

