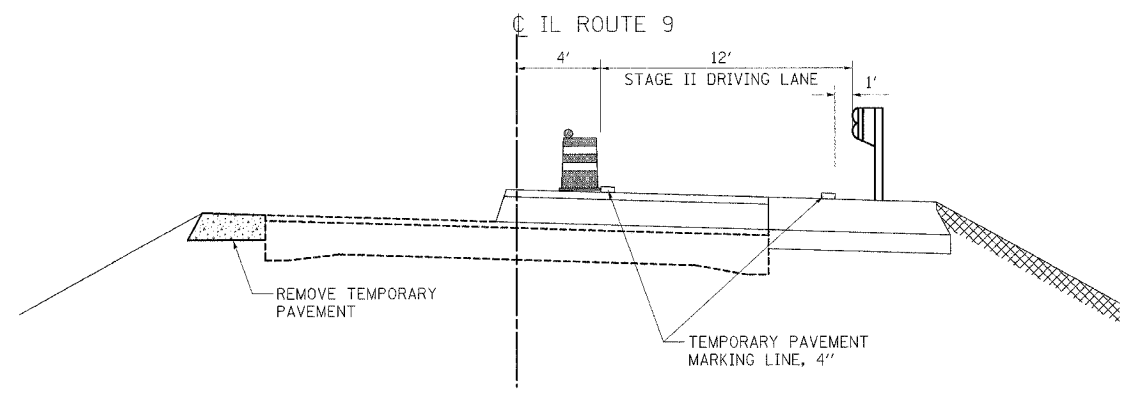
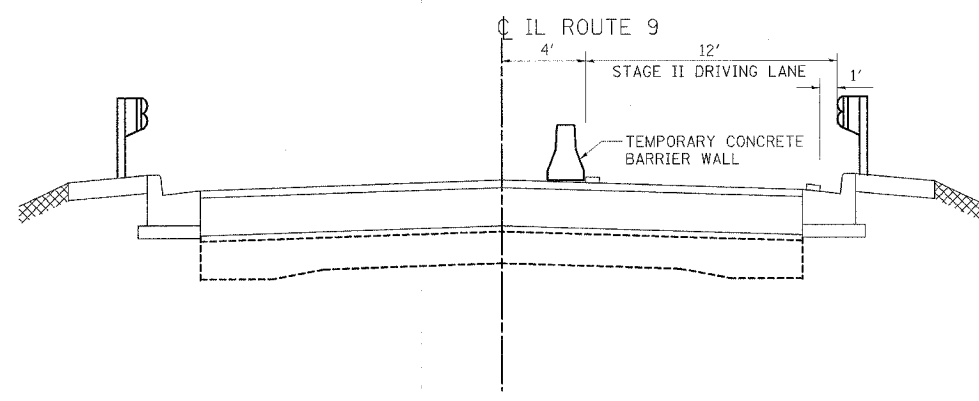


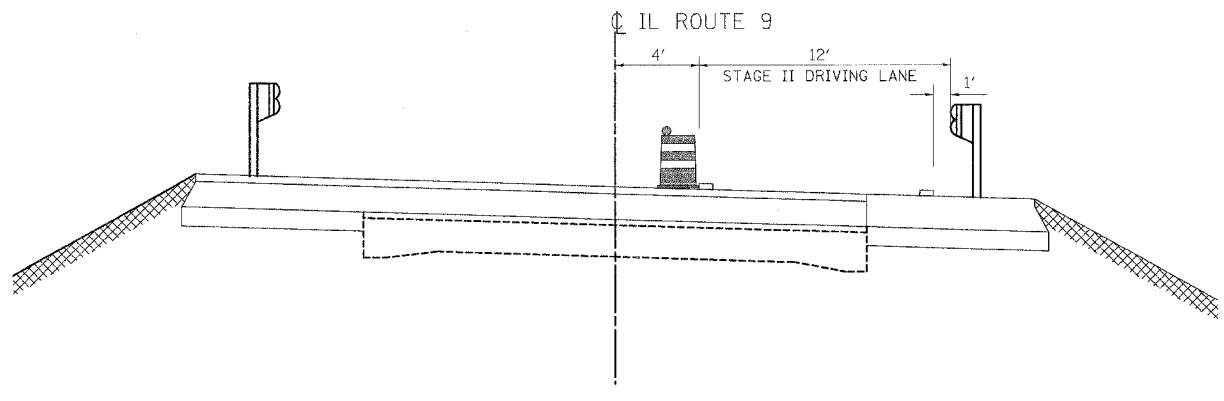
**STAGE II REMOVAL**  
STA. 808+50 TO STA. 809+76



**STAGE II REMOVAL**  
STA. 811+70 TO STA. 813+00



**STAGE II CONSTRUCTION**  
STA. 808+50 TO STA. 809+76



**STAGE II CONSTRUCTION**  
STA. 811+70 TO STA. 813+00

**STAGE II CONSTRUCTION**

1. RELOCATE TRAFFIC CONTROL PER STANDARD 701321 AND AS DETAILED IN THESE PLANS
2. REMOVE TEMPORARY PAVEMENT
3. REMOVE EASTBOUND PORTION OF EXISTING STRUCTURE
4. CONSTRUCT EASTBOUND PORTION OF STRUCTURE
5. CONSTRUCT EASTBOUND PAVEMENT, SHOULDER, AND CURB & GUTTER
6. INSTALL GUARDRAIL

**STAGE III CONSTRUCTION**

1. TRAFFIC CONTROL PER STANDARD 701301
2. PLACE PERMANENT PAVEMENT MARKINGS ON EASTBOUND AND WESTBOUND LANES
3. LANDSCAPE RESTORATION

PLOT SCALE: 1/80  
 PLOT DATE: 8/7/2007  
 PLOT TIME: 8:20:56 AM  
 PLOT BY: JTT  
 PLOT BY: JTT  
 MODEL NAME: D:\FOUR

<p>Excellence through Ownership</p> <p>200 West Front Street Wheaton, IL 60187</p>	<b>REVISIONS</b>		ILLINOIS DEPARTMENT OF TRANSPORTATION F.A.P. ROUTE 693 (IL-9)  <b>TRAFFIC CONTROL CONSTRUCTION STAGING NOTES &amp; DETAILS</b> <b>STAGE II</b>
	NAME	DATE	
			SCALE: NOT TO SCALE DATE: AUGUST 7, 2007