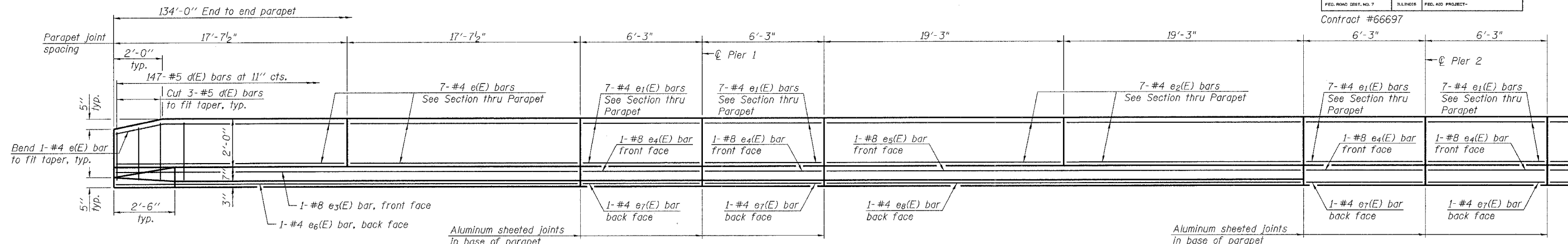


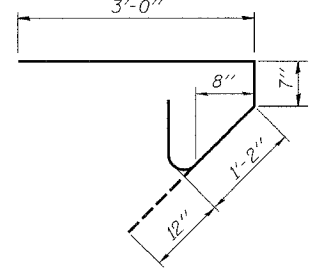
Contract #66697



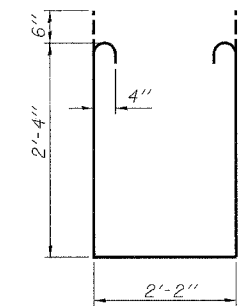
INSIDE ELEVATION OF PARAPET

SUPERSTRUCTURE BILL OF MATERIAL

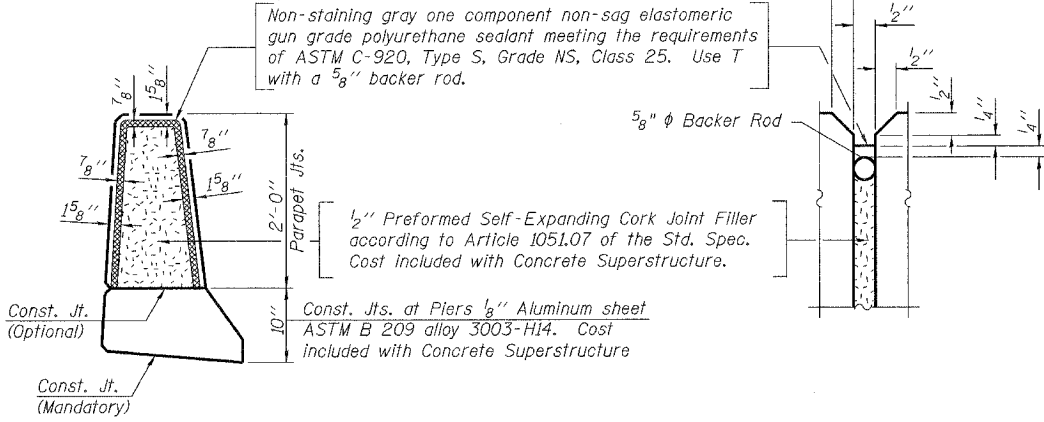
Bar	No.	Size	Length	Shape	
d(E)	215	#5	15'-8"	—	
a ₁ (E)	161	#5	15'-0"	—	
a ₂ (E)	216	#6	6'-0"	—	
a ₃ (E)	215	#5	18'-8"	—	
a ₄ (E)	161	#5	18'-0"	—	
b(E)	190	#5	28'-6"	—	
b ₁ (E)	70	#6	29'-6"	—	
b ₂ (E)	186	#5	24'-2"	—	
d(E)	294	#5	5'-6"	—	
d ₁ (E)	294	#5	7'-7"	—	
e(E)	56	#4	17'-4"	—	
e ₁ (E)	56	#4	6'-0"	—	
e ₂ (E)	28	#4	19'-0"	—	
e ₃ (E)	4	#8	35'-0"	—	
e ₄ (E)	8	#8	6'-0"	—	
e ₅ (E)	2	#8	38'-3"	—	
e ₆ (E)	4	#4	35'-0"	—	
e ₇ (E)	8	#4	6'-0"	—	
e ₈ (E)	2	#4	38'-3"	—	
m(E)	4	#6	14'-11"	—	
m ₁ (E)	6	#6	15'-10"	—	
m ₂ (E)	12	#6	7'-2"	—	
m ₃ (E)	8	#6	5'-8"	—	
m ₄ (E)	4	#6	2'-6"	—	
m ₅ (E)	2	#6	1'-3"	—	
m ₆ (E)	2	#6	4'-2"	—	
m ₇ (E)	4	#6	17'-11"	—	
m ₈ (E)	6	#6	18'-10"	—	
m ₉ (E)	12	#6	8'-2"	—	
s(E)	72	#5	5'-9"	—	
s ₁ (E)	62	#4	7'-10"	—	
v(E)	68	#5	3'-4"	—	
Reinforcement Bars, Epoxy Coated				Pound	36,460
Concrete Superstructure				Cu. Yds.	160.9
Bar Splicers				Each	460



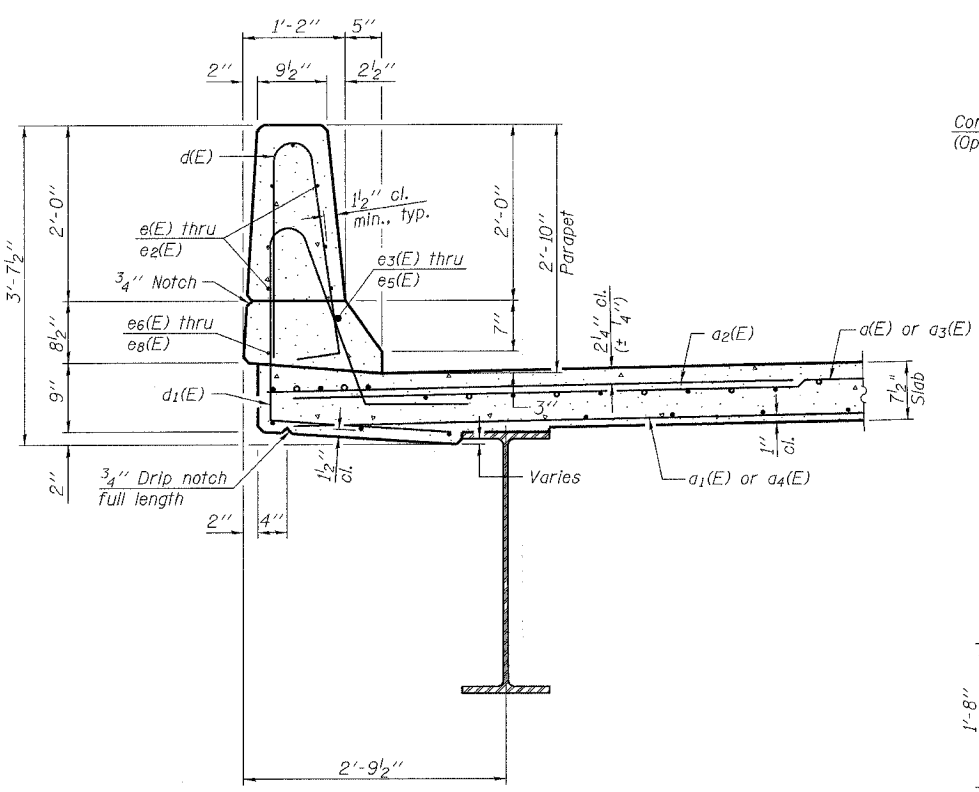
BAR s(E)



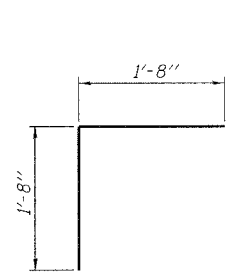
BAR s₁(E)



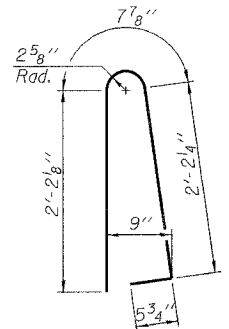
PARAPET JOINT DETAILS



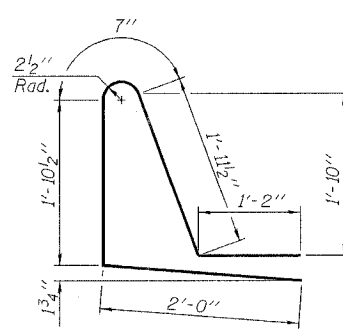
SECTION THRU PARAPET



BAR v(E)



BAR d(E)



BAR d₁(E)

rjngroup
Excellence through Ownership
200 West Front Street
Wheaton, IL 60187

ILLINOIS DEPARTMENT OF TRANSPORTATION
SUPERSTRUCTURE DETAILS
IL RTE 9 OVER DRUMMER CREEK
FAP RTE 693 - SECTION 19BR-1
FORD COUNTY
STATION 810+73.11
STRUCTURE NO. 027-0096
DATE: 8/7/2007
DRAWN BY: WJV
CHECKED BY: BLB