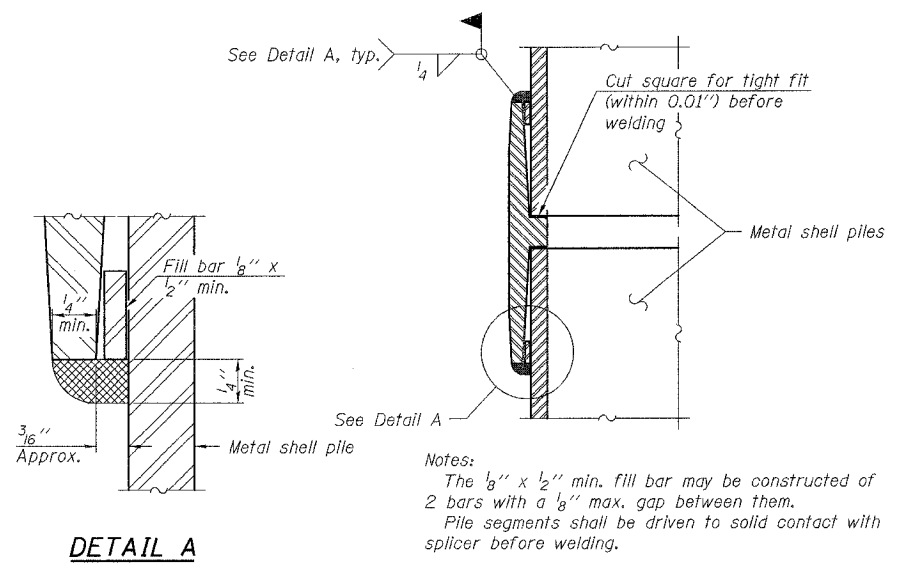


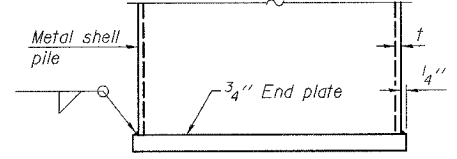
**METAL SHELL PILE TABLE**

Designation	Wall thickness t	Weight per foot (Lbs./ft.)	Inside volume (yd. <sup>3</sup> /ft.)	Encasement diameter A
PP12	0.179"	22.60	0.0274	30"
PP12	0.250"	31.37	0.0267	30"
PP14	0.250"	36.71	0.0368	30"
PP14	0.312"	45.61	0.0361	30"

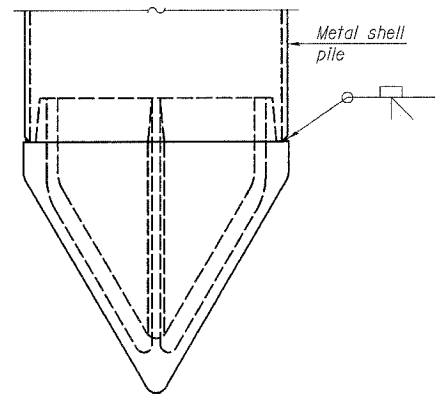


**DETAIL A**

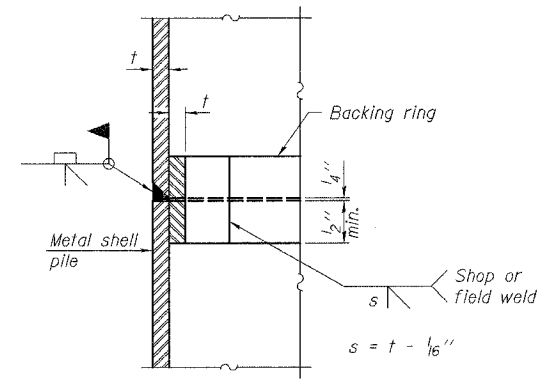
**WELDED COMMERCIAL SPLICE**



**END PLATE ATTACHMENT**

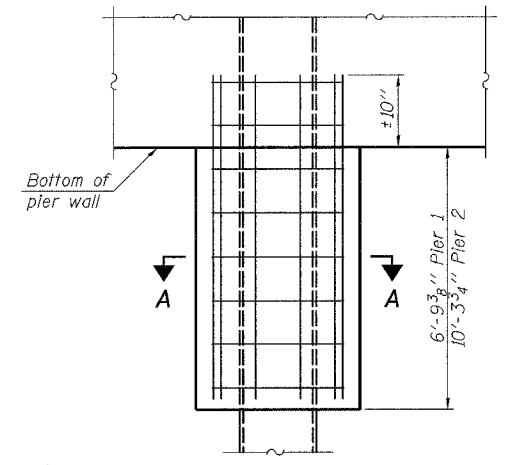


**METAL SHELL PILE SHOE ATTACHMENT**

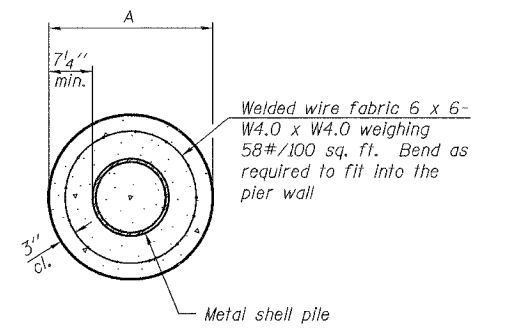


**COMPLETE PENETRATION WELD SPLICE**

Backing ring made from pile shell. Remove segment to allow reducing circumference and vertically rejoin with partial joint penetration weld.



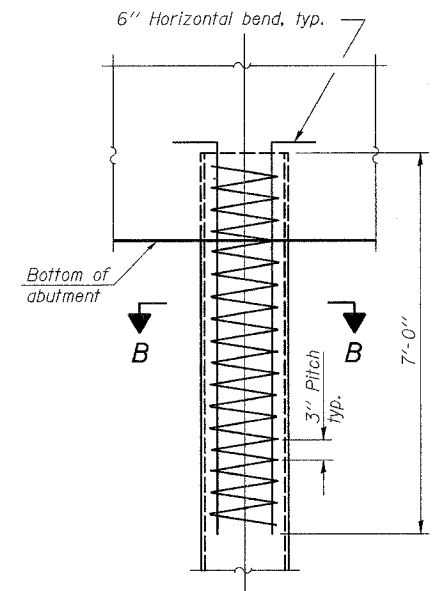
**ELEVATION**



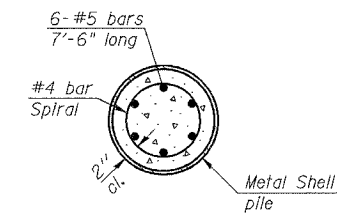
**SECTION A-A**

Notes:  
See Metal Shell Pile Table for dimension "A".  
Forms for encasement may be omitted when soil conditions permit.

**CONCRETE ENCASEMENT AT PIERS**



**ELEVATION**



**SECTION B-B**

**METAL SHELL REINFORCEMENT AT ABUTMENTS**

**rjngroup**  
Excellence through Ownership  
200 West Front Street  
Wheaton, IL 60187

ILLINOIS DEPARTMENT OF TRANSPORTATION  
METAL SHELL PILES  
IL RTE 9 OVER DRUMMER CREEK  
FAP RTE 693 - SECTION 19BR-1  
FORD COUNTY  
STATION 810+73.11  
STRUCTURE NO. 027-0096  
DATE: 8/7/2007  
DRAWN BY WJV  
CHECKED BY BLB

Note:  
The metal shell piles shall be according to ASTM A 252 Grade 3.