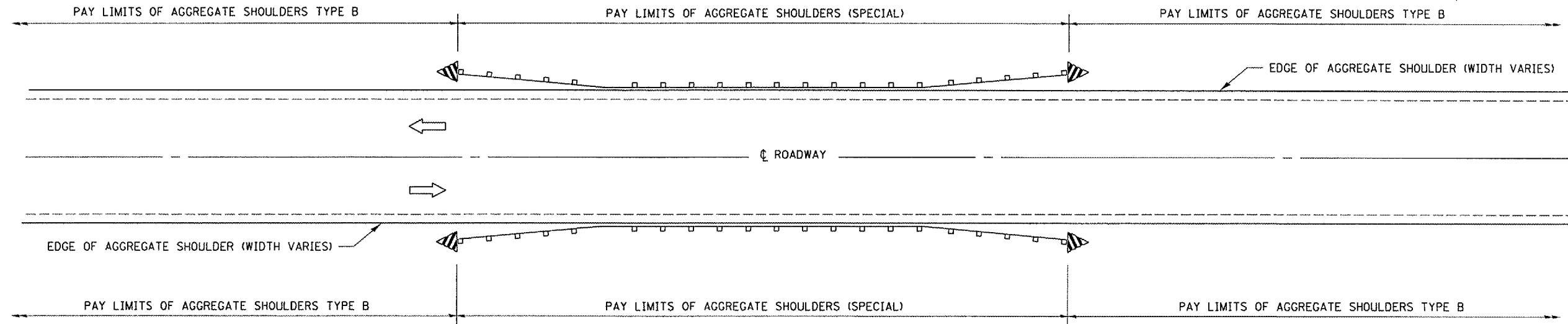
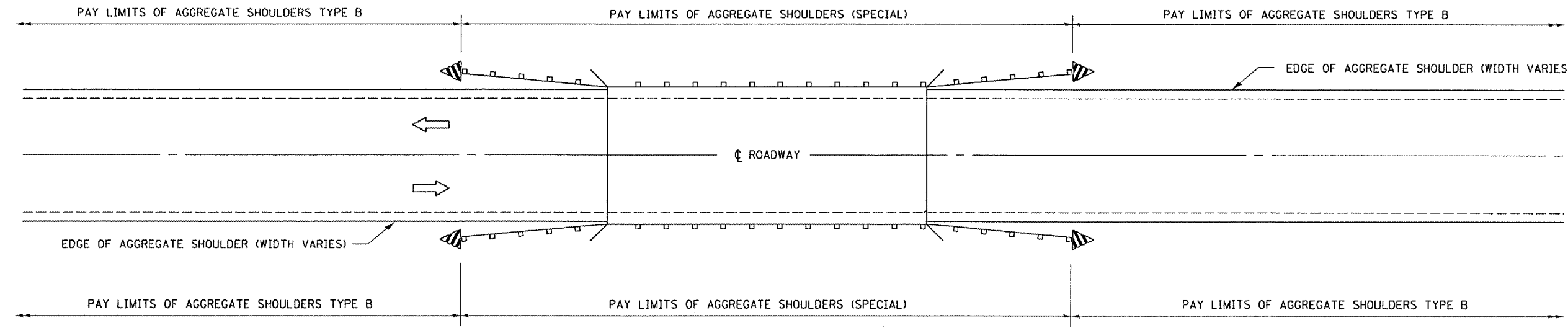
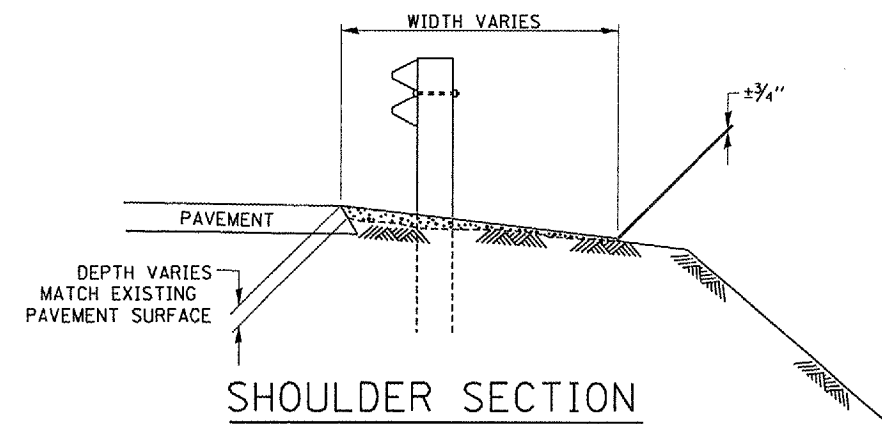


CONTRACT NO. 66725				
F.A.P. RTE.	SECTION	COUNTY	TOTAL SHEETS	SHEET NO.
573	(115,116,117)I	DEKALB	10	10
FED. ROAD DIST. NO. - ILLINOIS				



TYPICAL AT STEEL PLATE BEAM GUARDRAIL



TYPICAL AT STEEL PLATE BEAM GUARDRAIL
AT STRUCTURES

Date: JULY 20 2007
c:/projects/ed03607/details.dgn

REVISIONS	
NAME	DATE

ILLINOIS DEPARTMENT OF TRANSPORTATION
**AGGREGATE SHOULDER
(SPECIAL) DETAILS**
FAP ROUTE 573 (US ROUTE 30)
SECTION (115,116,117)I
DEKALB COUNTY