

F.A.P. RTE.	SECTION	COUNTY	TOTAL SHEETS	SHEET NO.
573	(115,116,117)	DEKALB	10	1

STATE OF ILLINOIS  
DEPARTMENT OF TRANSPORTATION  
DIVISION OF HIGHWAYS

**PROPOSED  
HIGHWAY PLANS**

FAP ROUTE 573 (US ROUTE 30)

SECTION (115,116,117)

PROJECT ACHSIP-0573(098)

DEKALB COUNTY

C-93-081-07

AGGREGATE SHOULDERS

INDEX OF SHEETS

1. COVER SHEET
2. GENERAL NOTES
3. SUMMARY OF QUANTITIES
4. TYPICAL SECTIONS
- 5 - 6. AGGREGATE SCHEDULE - EASTBOUND
- 7 - 8. AGGREGATE SCHEDULE - WESTBOUND
9. AGGREGATE SHOULDER DETAILS
10. AGGREGATE SHOULDER (SPECIAL) DETAILS

STANDARDS

- 701001-01 OFF-ROAD OPERATIONS 2L, 2W, MORE THAN 4.5 m (15') AWAY
- 701006-02 OFF-ROAD OPERATIONS 2L, 2W, 4.5 m (15') TO 600 mm (24") FROM PAVEMENT EDGE
- 701011-01 OFF-ROAD MOVING OPERATIONS 2L, 2W, DAY ONLY
- 701301-02 LANE CLOSURE, 2L, 2W, SHORT TIME OPERATIONS
- 701306-01 LANE CLOSURE, 2L, 2W, SLOW MOVING OPERATIONS DAY ONLY, FOR SPEEDS ≥ 45 MPH
- 702001-06 TRAFFIC CONTROL DEVICES



FUNCTIONAL CLASSIFICATION  
RURAL - MINOR ARTERIAL  
F.A.P. ROUTE 573 (U.S. 30)  
2005 ADT = 4850  
P.V = 78.3% M.U. = 14.8% S.U. = 6.9%

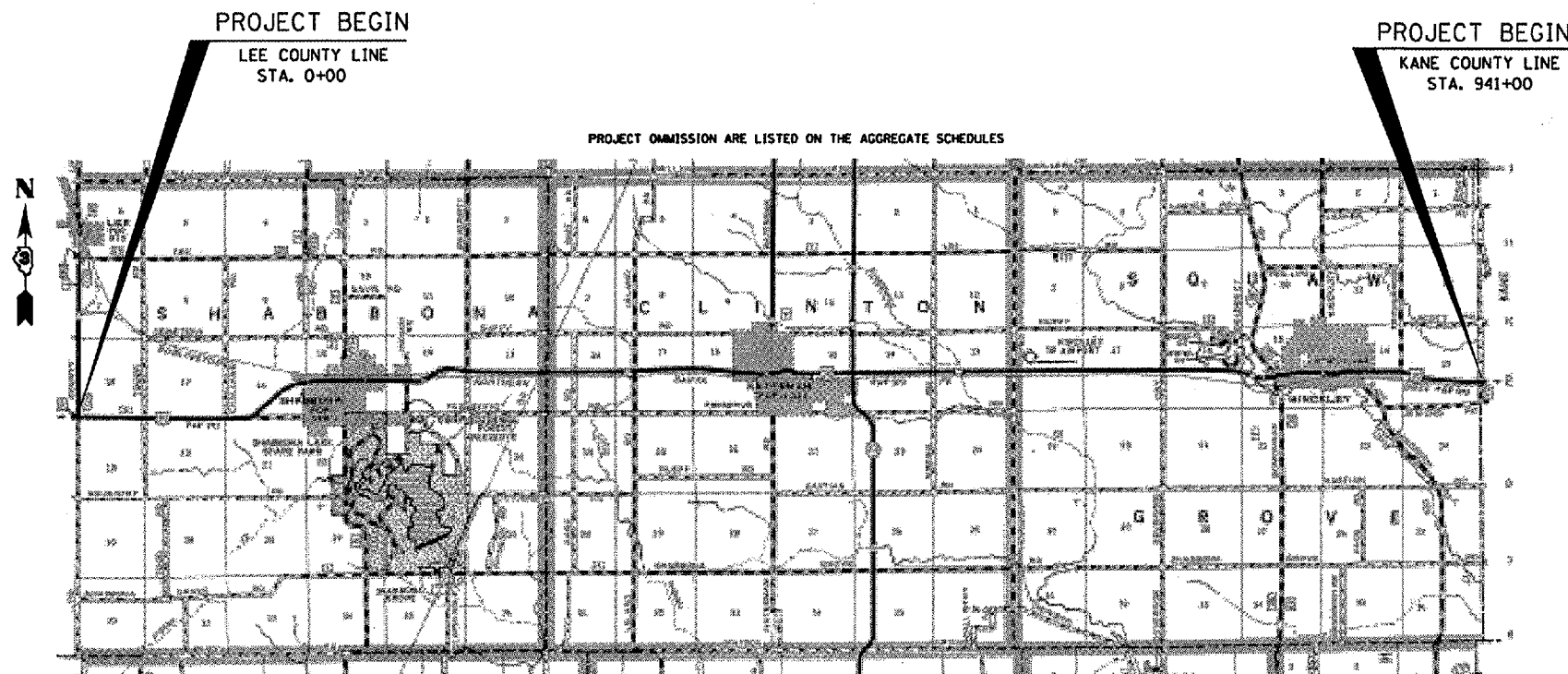
STATE OF ILLINOIS  
DEPARTMENT OF TRANSPORTATION  
DIVISION OF HIGHWAYS

SUBMITTED 8/27/07

*Joseph E. Blum*  
DEPUTY DIRECTOR OF HIGHWAYS, REGION ENGINEER

October 12, 2007  
*Eric E. Harrell*  
ENGINEER OF DESIGN AND ENVIRONMENT

October 12, 2007  
*Michael L. Sees, P.E.*  
DIRECTOR OF HIGHWAYS, CHIEF ENGINEER



LOCATION MAP

NOT TO SCALE  
GROSS LENGTH = 94100 FT. = 17.82 MI.  
NET LENGTH = 69960 FT. = 13.25 MI

MICROFILMED -----  
REEL NUMBER -----  
AWARDED -----  
RESIDENT ENGINEER -----  
AS BUILT CHANGES WERE MADE  
ON THE FOLLOWING SHEETS

DISTRICT NO. 815-434-6131  
JULIE 1-800-892-0123  
PROJECT ENGINEER : JOE KANNEL  
UNIT CHIEF : RON WOODSHANK  
TOWNSHIPS: SHABBONA, CLINTON, SQUAW GROVE

CONTRACT NO. 66725

PRINTED BY THE AUTHORITY  
OF THE STATE OF ILLINOIS

F.A.P. RTE.	SECTION	COUNTY	TOTAL SHEETS	SHEET NO.
573	(115,116,117)I	DEKALB	10	2
FED. ROAD DIST. NO. - ILLINOIS				

### GENERAL NOTES

PLAN DIMENSIONS AND DETAILS RELATIVE TO EXISTING PLANS ARE SUBJECT TO ROUTINE VARIATIONS. THE CONTRACTOR SHALL FIELD VERIFY EXISTING DIMENSIONS AND DETAILS AFFECTING NEW CONSTRUCTION AND MAKE NECESSARY APPROVED ADJUSTMENTS PRIOR TO CONSTRUCTION OR ORDERING OF MATERIALS. SUCH VARIATIONS SHALL NOT BE CAUSE FOR ADDITIONAL COMPENSATION FOR A CHANGE IN THE SCOPE OF THE WORK. HOWEVER, THE CONTRACTOR WILL BE PAID FOR THE QUANTITY FURNISHED BASED UPON THE UNIT BID FOR THE WORK.

THE CONTRACTOR SHALL BE RESPONSIBLE FOR PROTECTING UTILITY PROPERTY FROM CONSTRUCTION OPERATIONS AS OUTLINED IN ARTICLE 107.31 OF THE STANDARD SPECIFICATIONS. THE "JULIE" NUMBER IS 1-800-892-0123. A MINIMUM OF FORTY-EIGHT (48) HOURS ADVANCE NOTICE IS REQUIRED.

WHERE SECTION OR SUBSECTION MONUMENTS ARE ENCOUNTERED, THE ENGINEER SHALL BE NOTIFIED BEFORE SUCH MONUMENTS ARE REMOVED. THE CONTRACTOR SHALL PROTECT AND CAREFULLY PRESERVE ALL MONUMENTS UNTIL AN AUTHORIZED SURVEYOR OR AGENT HAS WITNESSED OR OTHERWISE REFERENCED THEIR LOCATION. THE CONTRACTOR SHALL BE RESPONSIBLE FOR HAVING AN AUTHORIZED SURVEYOR REESTABLISH ANY SECTION OR SUBSECTION MONUMENTS DESTROYED BY HIS OPERATIONS.

ABANDONED UNDERGROUND UTILITIES THAT CONFLICT WITH CONSTRUCTION SHALL BE DISPOSED OF OUTSIDE THE LIMITS OF THE RIGHT OF WAY ACCORDING TO ARTICLE 202.03 OF THE STANDARD SPECIFICATIONS AND AS DIRECTED BY THE ENGINEER. THIS WORK WILL NOT BE PAID FOR SEPARATELY BUT SHALL BE INCLUDED IN THE COST OF EARTH EXCAVATION.

ANY REFERENCE TO A STANDARD IN THESE PLANS SHALL BE INTERPRETED TO MEAN THE EDITION AS INDICATED BY THE SUBNUMBER LISTED ON THE INDEX OF SHEETS OR THE COPY OF THE STANDARD INCLUDED IN THESE PLANS.

THE HMA SURFACE OF ALL MAILBOX TURNOUTS, PRIVATE ENTRANCES, COMMERCIAL ENTRANCES, AND SIDE ROADS SHALL BE MADE NEATLY, IN A WORKMANLIKE MANNER, AND SHALL ACCURATELY CONFORM TO THE SHAPES AND DIMENSIONS SHOWN ON THE PLAN DETAILS. IF REQUIRED BY THE ENGINEER, THE CONTRACTOR SHALL BE REQUIRED TO SAW CUT THE HMA SURFACE TO CONFORM TO THE SHAPES AND DIMENSIONS SHOWN ON THE PLAN DETAILS. THIS WORK SHALL BE INCLUDED IN THE COST OF THE HMA SURFACE

ROADWAY STATIONING AS SHOWN ON PLAN DETAILS AND SCHEDULES SHALL BE USED FOR "REFERENCE" ONLY. PLAN STATION DO NOT REFLECT EXISTING PAVEMENT STATIONING.

THE EXISTING SHOULDERS ARE LOW. IN THE EVENT THAT CONSTRUCTION OPERATIONS RESULT IN A DROP OFF GREATER THAN 3" BETWEEN THE EDGE OF PAVEMENT OR EDGE OF SHOULDER WITHIN 3' OF THE EDGE OF PAVEMENT AND THE EARTH OR AGGREGATE SHOULDERS, THEN THE DROP OFF SHALL BE PROTECTED ACCORDING TO ARTICLE 701.04(B)(1) OF THE STANDARD SPECIFICATIONS. THIS WORK WILL BE CONSIDERED AS INCLUDED IN THE CONTRACT UNIT PRICES FOR TRAFFIC CONTROL.

THE FOLLOWING RATES OF APPLICATION HAVE BEEN USED IN CALCULATING PLAN QUANTITIES:

GRANULAR MATERIALS	2.05	TONS / CU YD
--------------------	------	--------------

DATE: 8/27/07

PREPARED BY: Pat Powell  
DISTRICT STUDIES & PLANS ENGINEER

EXAMINED BY: [Signature]  
DISTRICT CONSTRUCTION ENGINEER

James F. Throckmold  
DISTRICT MATERIALS ENGINEER

[Signature]  
DISTRICT OPERATIONS ENGINEER

REVISIONS		ILLINOIS DEPARTMENT OF TRANSPORTATION
NAME	DATE	
		<b>GENERAL NOTES</b> FAP ROUTE 573 (US ROUTE 30) SECTION (115,116,117)I DEKALB COUNTY

Date: JULY 20, 2007  
C:\projects\ed03607\details.dgn

F.A.P. RTE.	SECTION	COUNTY	TOTAL SHEETS	SHEET NO.
573	(115,116,117)I	DEKALB	10	3
FED. ROAD DIST. NO.		ILLINOIS		

# SUMMARY OF QUANTITIES

CONSTRUCTION CODE TYPE: SFTY-2A

RURAL  
 90% FED 10% STATE  
 TOTAL  
 QUANTITY

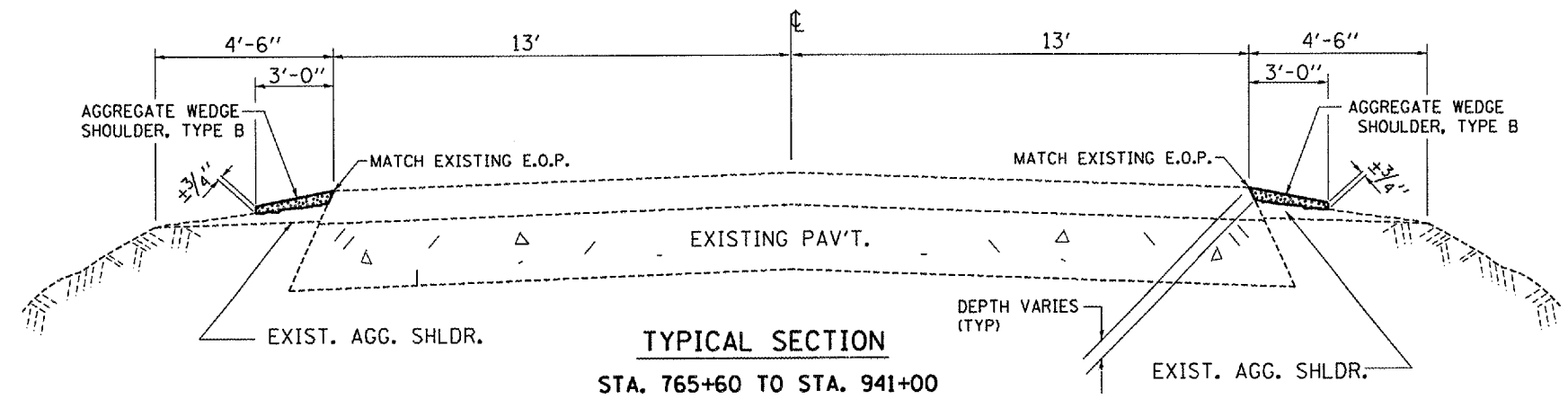
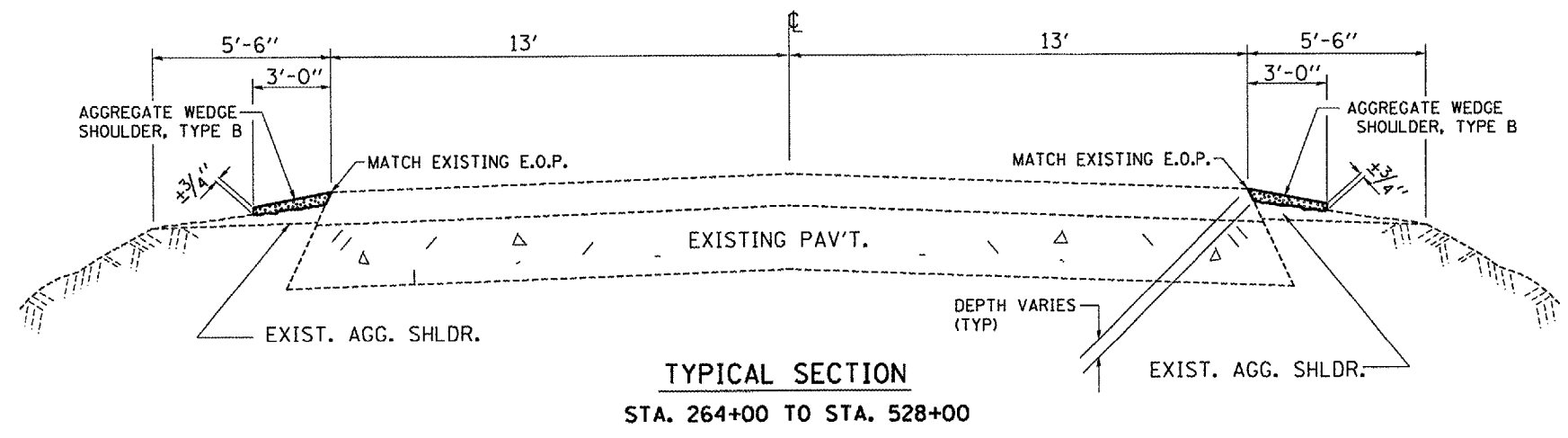
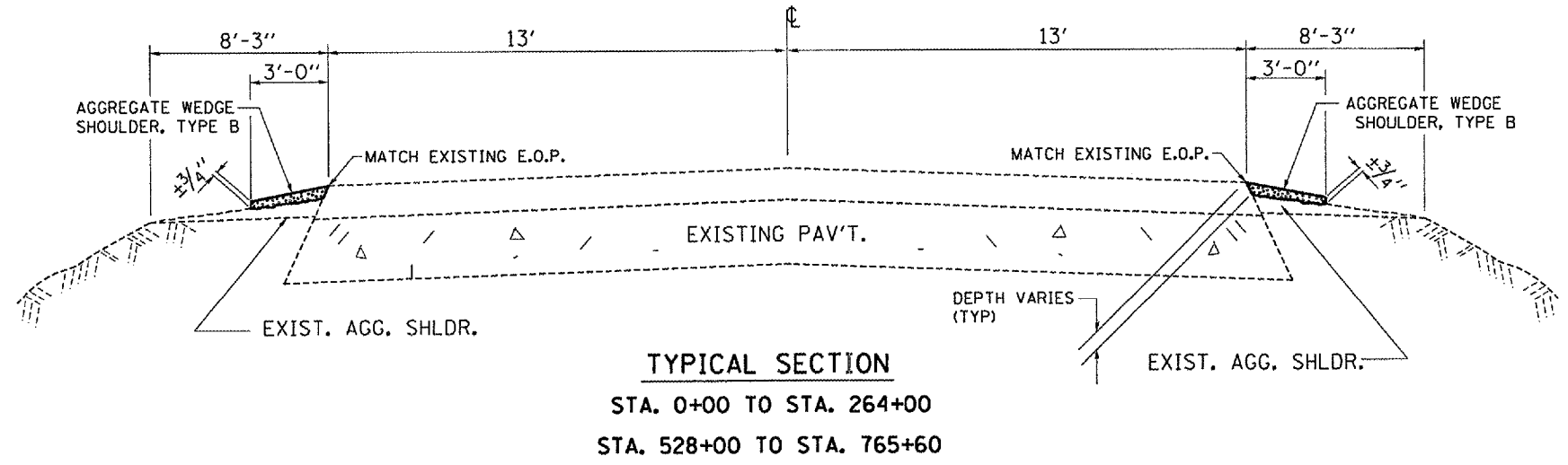
CODE NO.		UNIT	QUANTITY
48102100	AGGREGATE WEDGE SHOULDER, TYPE B	TON	8367
48101300	AGGREGATE SHOULDERS, TYPE B (SPECIAL)	TON	100
67100100	MOBILIZATION	L SUM	1
70100460	TRAFFIC CONTROL AND PROTECTION, STANDARD 701306	L SUM	1

Date: JULY 20 2007  
 c:/projects/ed03607/details.dgn

REVISIONS	
NAME	DATE

ILLINOIS DEPARTMENT OF TRANSPORTATION  
**SUMMARY OF QUANTITIES**  
 FAP ROUTE 573 (US ROUTE 30)  
 SECTION (115,116,117)I  
 DEKALB COUNTY

F.A.P. RTE.	SECTION	COUNTY	TOTAL SHEETS	SHEET NO.
573	(115,116,117)I	DEKALB	10	4
FED. ROAD DIST. NO. - ILLINOIS				



Dcfer JULY 20 2007  
c:/projects/ed03607/defaults.dgn

REVISIONS	
NAME	DATE

ILLINOIS DEPARTMENT OF TRANSPORTATION

**TYPICAL SECTIONS**

FAP ROUTE 573 (US ROUTE 30)  
SECTION (115,116,117)I  
DEKALB COUNTY

F.A.P. RTE.	SECTION	COUNTY	TOTAL SHEETS	SHEET NO.
573	(115,116,117)I	DEKALB	10	5
FED. ROAD DIST. NO. - ILLINOIS				

SCHEDULE - AGGREGATE SHOULDERS, TYPE B

LOCATION			EASTBOUND LANE	
STA.	TO	STA.	TONS	DESCRIPTION
O+00				
LEE COUNTY LINE - BEGIN PROJECT				
0+00	TO	41+91	239	
41+91	TO	43+26		OMMISSION - TOWER ROAD
43+26	TO	112+22	393	
112+22	TO	113+06		OMMISSION - PRESERVE ROAD
113+06	TO	116+08	18	
116+08	TO	117+66		OMMISSION - 900 N. ROAD
117+66	TO	165+18	271	
165+18	TO	166+08		OMMISSION - P.E.
166+08	TO	166+78	4	
166+78	TO	167+64		OMMISSION - P.E.
167+64	TO	168+68	6	
168+68	TO	169+25		OMMISSION - P.E.
169+25	TO	170+43	7	
170+43	TO	209+59		OMMISSION - SHABNONNA (CURB & GUTTER SECTION)
209+59	TO	213+49	28	
213+49	TO	213+98		OMMISSION - P.E.
213+98	TO	221+25	42	
221+25	TO	222+08		OMMISSION - P.E.
222+08	TO	223+47	8	
223+47	TO	225+33		OMMISSION - 950 N. ROAD
225+33	TO	239+94	84	
239+94	TO	243+38		OMMISSION - S.N. 019-0032
243+38	TO	253+70	59	
253+70	TO	254+43		OMMISSION - C.E.
254+43	TO	255+15	5	
255+15	TO	255+83		OMMISSION - C.E.
255+83	TO	257+23	8	
257+23	TO	259+93	16	
259+93	TO	260+31		OMMISSION - F.E.
260+31	TO	266+50	36	
266+50	TO	267+01		OMMISSION - 500 E. ROAD (UNIVERSITY ROAD)
267+01	TO	317+01	285	
PAGE 1 TOTAL			1509	

SCHEDULE - AGGREGATE SHOULDERS, TYPE B

LOCATION			EASTBOUND LANE	
STA.	TO	STA.	TONS	DESCRIPTION
317+01	TO	317+36		OMMISSION - RAILROAD
317+36	TO	336+36	109	
336+36	TO	337+06		OMMISSION - 640 E. ROAD (KANE ROAD)
337+06	TO	371+19	195	
371+19	TO	375+82		OMMISSION - P.E.
375+82	TO	376+25	3	
376+25	TO	377+15		OMMISSION - 730 E. ROAD (LELAND ROAD)
377+15	TO	454+79	443	
454+79	TO	484+51		OMMISSION - WATERMAN (CURB & GUTTER SECTION)
484+51	TO	492+20	44	
492+20	TO	493+00		OMMISSION - P.E.
493+00	TO	520+11	155	
520+11	TO	524+00		OMMISSION - IL ROUTE 23
524+00	TO	575+81	296	
575+81	TO	576+46		OMMISSION - 110 E. ROAD (CREGO ROAD)
576+46	TO	592+42	91	
592+42	TO	594+53		OMMISSION - S.N. 019-0036
594+53	TO	628+85	196	
628+85	TO	629+82		OMMISSION - 1200 E. ROAD (HOWISON ROAD)
629+82	TO	636+81	40	
636+81	TO	637+84		OMMISSION - MBTO
637+84	TO	659+95	126	
659+95	TO	660+95		OMMISSION - MBTO
660+95	TO	666+14	30	
666+14	TO	666+97		OMMISSION - P.E. W/MBTO
666+97	TO	687+01	115	
687+01	TO	687+56		OMMISSION - F.E.
687+56	TO	711+20	135	
711+20	TO	712+12		OMMISSION - P.E. W/MBTO
712+12	TO	723+00	62	
723+00	TO	723+52		OMMISSION - F.E.
723+52	TO	723+93	3	
723+93	TO	724+46		OMMISSION - P.E.
PAGE 2 TOTAL			2043	

Date: JULY 20 2007  
 c:/projects/ed03607/details.dgn

REVISIONS	
NAME	DATE

ILLINOIS DEPARTMENT OF TRANSPORTATION  
**AGGREGATE SCHEDULE - EASTBOUND**  
 FAP ROUTE 573 (US ROUTE 30)  
 SECTION (115,116,117)I  
 DEKALB COUNTY

F.A.P. RTE.	SECTION	COUNTY	TOTAL SHEETS	SHEET NO.
573	(115,116,117)I	DEKALB	10	6
FED. ROAD DIST. NO. - ILLINOIS				

SCHEDULE - AGGREGATE SHOULDERS, TYPE B

LOCATION			EASTBOUND LANE	
STA.	TO	STA.	TONS	DESCRIPTION
724+46	TO	725+07	4	
725+07	TO	726+03		OMMISSION - P.E. W/MBTO
726+03	TO	726+92	6	
726+92	TO	727+96		OMMISSION - 1400 E. ROAD
727+96	TO	731+19	19	
731+19	TO	732+19		OMMISSION - MBTO
732+19	TO	749+89	101	
749+89	TO	750+99		OMMISSION - MBTO
750+99	TO	753+73	16	
753+73	TO	754+72		OMMISSION - MBTO
754+72	TO	756+26	9	
756+26	TO	757+28		OMMISSION - MBTO
757+28	TO	757+56	2	
757+56	TO	758+74		OMMISSION - MBTO
758+74	TO	760+97	13	
760+97	TO	762+09		OMMISSION - MBTO
762+09	TO	763+97	11	
763+97	TO	765+10		OMMISSION - MBTO
765+10	TO	773+78	50	
773+78	TO	779+64	34	
779+64	TO	780+39		OMMISSION - P.E. W/MBTO
780+39	TO	781+93	9	
781+93	TO	783+05		OMMISSION - MBTO
783+05	TO	784+70	10	
784+70	TO	785+44		OMMISSION - P.E. W/MBTO
785+44	TO	787+48	12	
787+48	TO	789+32		OMMISSION - S.N. 019-0036
789+32	TO	799+75	60	
799+75	TO	880+94		OMMISSION - HINCKLEY (CURB & GUTTER SECTION)
880+94	TO	892+16	64	
892+16	TO	893+26		OMMISSION - P.E. W/MBTO
893+26	TO	899+01	33	
899+01	TO	899+39		OMMISSION - F.E.
899+39	TO	926+56	155	
926+56	TO	929+53		OMMISSION - MBTO
929+53	TO	941+00	66	
941+00				KANE COUNTY LINE - END PROJECT
PAGE 3 TOTAL			674	
EASTBOUND TOTAL			4226	

REVISIONS	
NAME	DATE

ILLINOIS DEPARTMENT OF TRANSPORTATION  
**AGGREGATE SCHEDULE - EASTBOUND**  
 FAP ROUTE 573 (US ROUTE 30)  
 SECTION (115,116,117)I  
 DEKALB COUNTY

Date: JULY 20 2007  
 c:/projects/ed03607/details.dgn

F.A.P. RTE.	SECTION	COUNTY	TOTAL SHEETS	SHEET NO.
573	(115,116,117)I	DEKALB	10	7
FED. ROAD DIST. NO.		ILLINOIS		

SCHEDULE - AGGREGATE SHOULDERS, TYPE B

LOCATION			WESTBOUND LANE	
STA.	TO	STA.	TONS	DESCRIPTION
0+00				
0+00	TO	13+00	75	KANE COUNTY LINE - BEGIN PROJECT
13+00	TO	13+84		OMMISSION - P.E.
13+84	TO	54+08	232	
54+08	TO	54+91		OMMISSION - SIDE ROAD (PRITCHARD ROAD)
54+91	TO	59+55	27	
59+55	TO	142+00		OMMISSION - HINKLEY (RECONSTRUCTION SECTION)
142+00	TO	142+65	4	
142+65	TO	143+36		OMMISSION - P.E.
143+36	TO	147+71	25	
147+71	TO	148+22		OMMISSION - P.E.
148+22	TO	151+19	17	
151+19	TO	152+98		OMMISSION - S.N. 019-0036
152+98	TO	157+75	28	
157+75	TO	158+24		OMMISSION - P.E.
158+24	TO	158+93	4	
158+93	TO	159+54		OMMISSION - P.E.
159+54	TO	164+51	29	
164+51	TO	168+62		OMMISSION - SIDE ROAD (STAFER LANE)
168+62	TO	175+14	38	
175+14	TO	175+55		OMMISSION - P.E.
175+55	TO	177+70	13	
177+70	TO	178+14		OMMISSION - P.E.
178+14	TO	178+44	2	
178+44	TO	179+23		OMMISSION - P.E.
179+23	TO	181+73	15	
181+73	TO	182+53		OMMISSION - P.E.
182+53	TO	183+27	5	
183+27	TO	183+83		OMMISSION - P.E.
183+83	TO	185+69	11	
185+69	TO	186+20		OMMISSION - P.E.
186+20	TO	189+56	20	
189+56	TO	190+13		OMMISSION - P.E.
190+13	TO	207+63	100	
207+63	TO	208+66		OMMISSION - P.E.
208+66	TO	210+92	13	
PAGE 1 TOTAL			658	

SCHEDULE - AGGREGATE SHOULDERS, TYPE B

LOCATION			WESTBOUND LANE	
STA.	TO	STA.	TONS	DESCRIPTION
210+92	TO	211+22		OMMISSION - P.E.
211+22	TO	212+32	7	
212+32	TO	213+18		OMMISSION - SIDE ROAD - 1400 E. RD. (RIMSNIDER ROAD)
213+18	TO	278+16	371	
278+16	TO	278+80		OMMISSION - P.E.
278+80	TO	279+60	5	
279+60	TO	280+13		OMMISSION - P.E.
280+13	TO	285+79	33	
285+79	TO	286+26		OMMISSION - P.E.
286+26	TO	292+19	34	
292+19	TO	292+77		OMMISSION - P.E.
292+77	TO	302+69	57	
302+69	TO	303+26		OMMISSION - P.E.
303+26	TO	310+64	43	
310+64	TO	311+40		OMMISSION - SIDE ROAD - 1200 E. RD. (HOWISON ROAD)
311+40	TO	345+52	195	
345+52	TO	348+26		OMMISSION - S.N. 019-0036
348+26	TO	413+17	370	
413+17	TO	420+32		OMMISSION - SIDE ROAD - IL ROUTE 23
420+32	TO	424+58	25	
424+58	TO	425+22		OMMISSION - P.E.
425+22	TO	429+08	22	
429+08	TO	429+80		OMMISSION - P.E.
429+80	TO	432+90	18	
432+90	TO	485+62		OMMISSION - WATERMAN (C. & G. SECTION)
485+62	TO	563+36	443	
563+36	TO	571+44		OMMISSION - SIDE ROAD - 730 E. RD. (LELAND ROAD)
571+44	TO	603+41	183	
603+41	TO	604+10		OMMISSION - SIDE ROAD - 640 E. RD. (KANE ROAD)
604+10	TO	673+33	395	
673+33	TO	674+02		OMMISSION - SIDE ROAD - 500 E. RD. (UNIVERSITY ROAD)
674+02	TO	705+23	265	
705+23	TO	708+50		OMMISSION - S.N. 019-0032
708+50	TO	715+64	41	
PAGE 2 TOTAL			2507	

Date: JULY 20 2007  
 c:/projects/ed03607/details.dgn

REVISIONS	
NAME	DATE

ILLINOIS DEPARTMENT OF TRANSPORTATION  
**AGGREGATE SCHEDULE - WESTBOUND**  
 FAP ROUTE 573 (US ROUTE 30)  
 SECTION (115,116,117)I  
 DEKALB COUNTY

F.A.P. RTE.	SECTION	COUNTY	TOTAL SHEETS	SHEET NO.
573	(115,116,117)I	DEKALB	10	8
FED. ROAD DIST. NO. - ILLINOIS				

SCHEDULE - AGGREGATE SHOULDERS, TYPE B

LOCATION			WESTBOUND LANE	
STA.	TO	STA.	TONS	DESCRIPTION
715+64	TO	717+03		OMMISSION - P.E.
717+03	TO	723+41	37	
723+41	TO	723+73		OMMISSION - P.E.
723+73	TO	727+58	22	
727+58	TO	728+46		OMMISSION - P.E.
728+46	TO	730+98	15	
730+98	TO	771+14		OMMISSION - SHABBONA (C. & G. SECTION)
771+14	TO	772+67	9	
772+67	TO	773+29		OMMISSION - P.E.
773+29	TO	773+96	4	
773+96	TO	774+77		OMMISSION - P.E.
774+77	TO	777+31	15	
777+31	TO	778+50		OMMISSION - P.E.
778+50	TO	782+22	22	
782+22	TO	784+06		OMMISSION - P.E.
784+06	TO	786+82	16	
786+82	TO	787+71		OMMISSION - P.E.
787+71	TO	834+76	268	
834+76	TO	844+94		OMMISSION - SIDE ROAD - 200 E. RD. (CHALLAND ROAD)
844+94	TO	866+88	125	
866+88	TO	867+53		OMMISSION - P.E.
867+53	TO	868+40	5	
868+40	TO	869+28		OMMISSION - P.E.
869+28	TO	878+65	54	
878+65	TO	879+49		OMMISSION - P.E.
879+49	TO	897+24	102	
897+24	TO	898+43		OMMISSION - SIDE ROAD - 100 E. RD. (TOWER ROAD)
898+43	TO	906+89	49	
906+89	TO	907+29		OMMISSION - P.E.
907+29	TO	909+87	15	
909+87	TO	910+19		OMMISSION - P.E.
910+19	TO	922+06	68	
922+06	TO	922+60		OMMISSION - P.E.
922+60	TO	940+24	150	
940+24				LEE COUNTY LINE - END PROJECT
PAGE 3 TOTAL			976	
EASTBOUND TOTAL			4141	

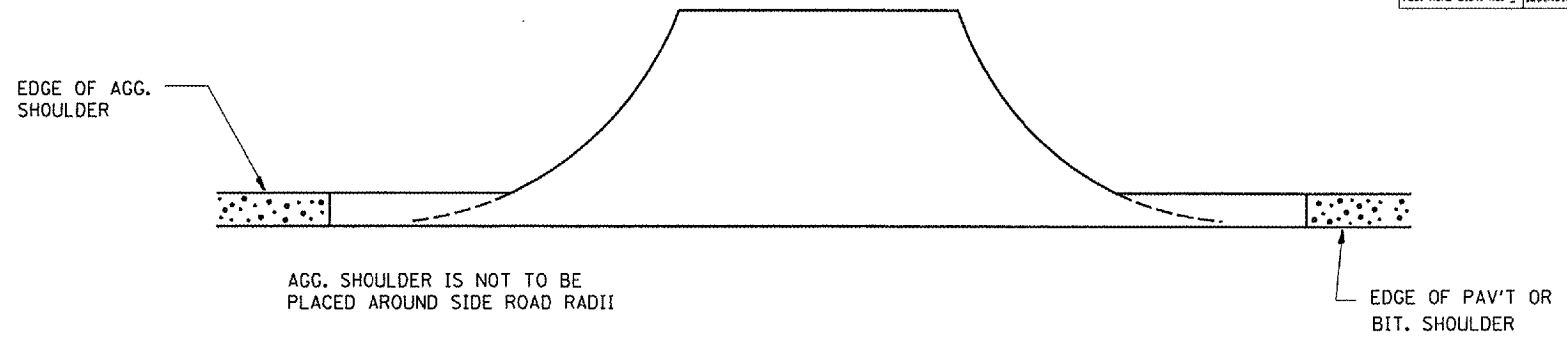
Date: JULY 20 2007  
c:/projects/ed03607/details.dgn

REVISIONS	
NAME	DATE

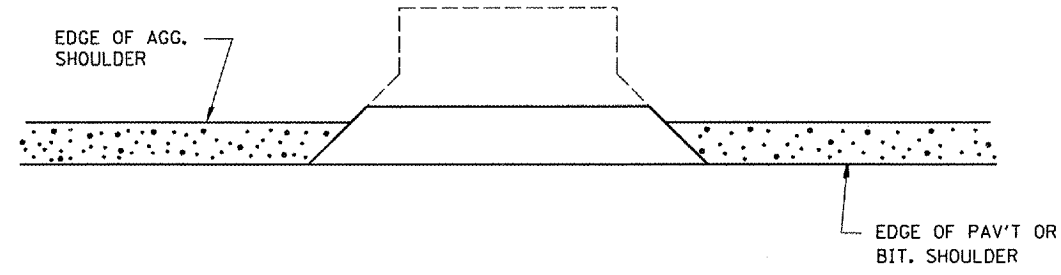
ILLINOIS DEPARTMENT OF TRANSPORTATION  
**AGGREGATE SCHEDULE -**  
**WESTBOUND**  
 FAP ROUTE 573 (US ROUTE 30)  
 SECTION (115,116,117)I  
 DEKALB COUNTY



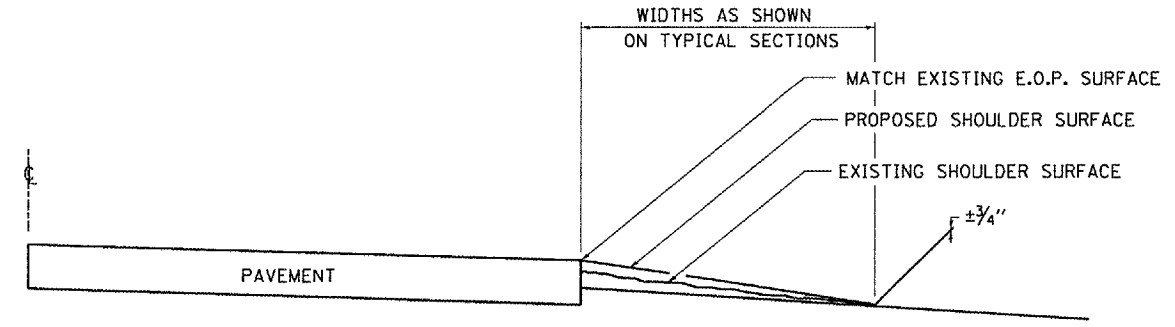
CONTRACT NO. 66725				
F.A.P. RTE.	SECTION	COUNTY	TOTAL SHEETS	SHEET NO.
573	(115,116,117)I	DEKALB	10	9
FED. ROAD DIST. NO.		ILLINOIS		



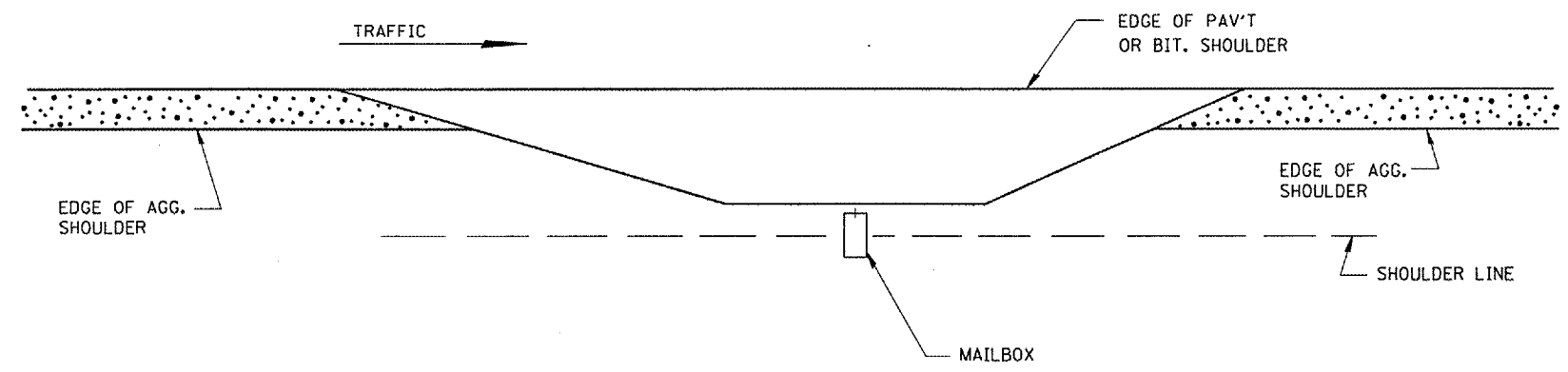
PLAN AT SIDE ROADS



PLAN AT PRIVATE & COMMERCIAL ENTRANCES



TYPICAL CROSS SECTION



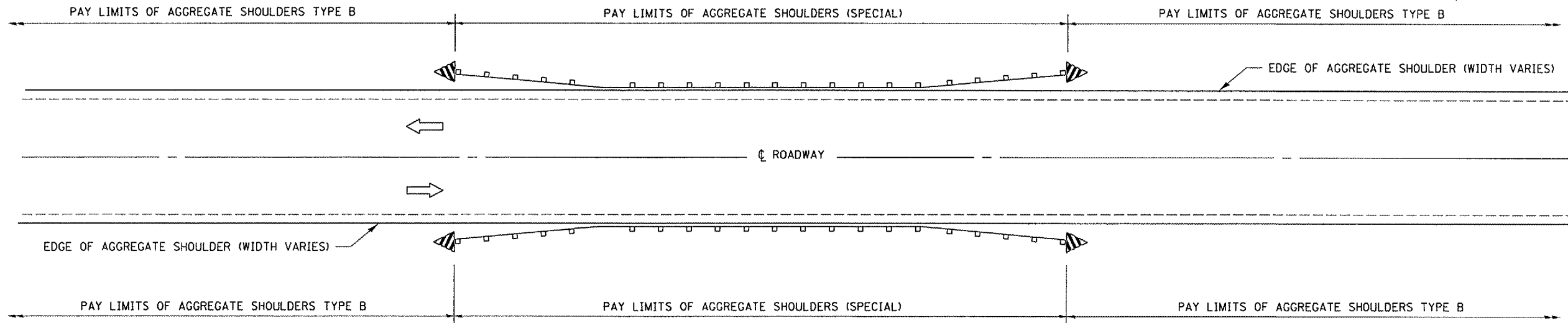
PLAN AT MAIL BOX TURN OUTS

Date: JULY 20 2007  
 c:/projects/ed03607/details.dgn

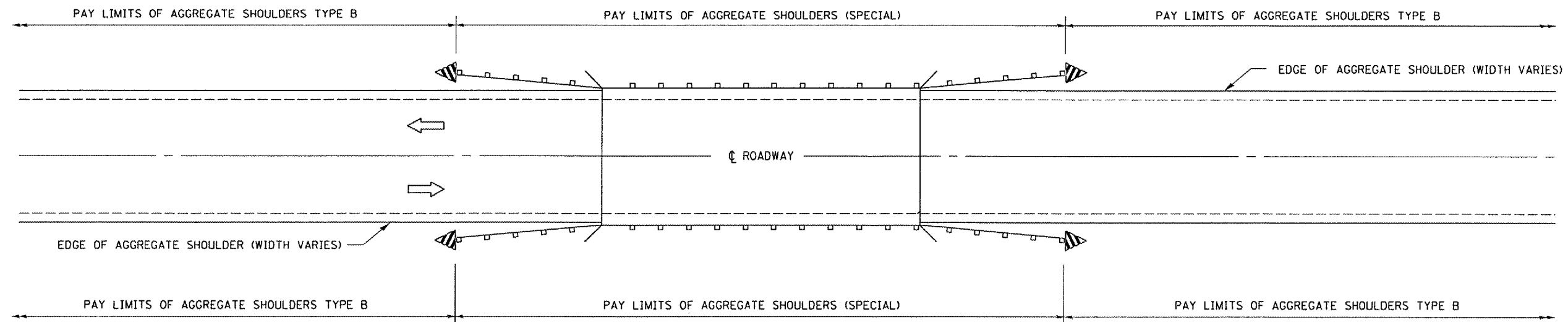
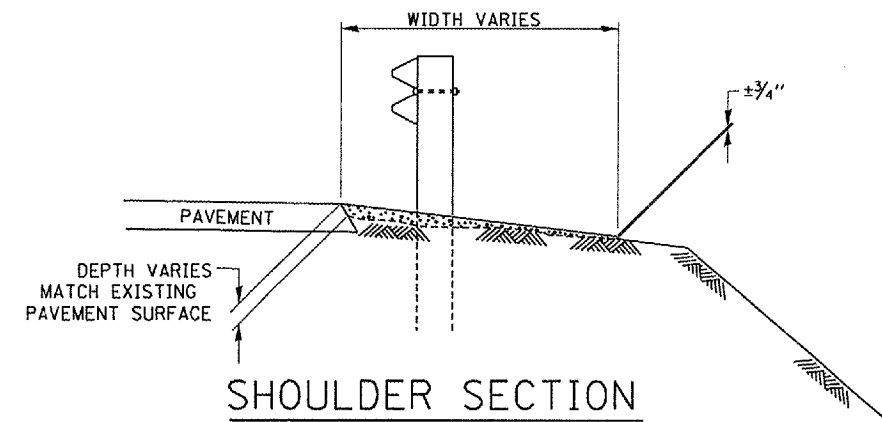
REVISIONS	
NAME	DATE

ILLINOIS DEPARTMENT OF TRANSPORTATION  
**AGGREGATE SHOULDER  
 DETAILS**  
 FAP ROUTE 573 (US ROUTE 30)  
 SECTION (115,116,117)I  
 DEKALB COUNTY

CONTRACT NO. 66725				
F.A.P. RTE.	SECTION	COUNTY	TOTAL SHEETS	SHEET NO.
573	(115,116,117)I	DEKALB	10	10
FED. ROAD DIST. NO. - ILLINOIS				



TYPICAL AT STEEL PLATE BEAM GUARDRAIL



TYPICAL AT STEEL PLATE BEAM GUARDRAIL  
AT STRUCTURES

Date: JULY 20 2007  
c:/projects/ed03607/details.dgn

REVISIONS	
NAME	DATE

ILLINOIS DEPARTMENT OF TRANSPORTATION  
**AGGREGATE SHOULDER  
(SPECIAL) DETAILS**  
FAP ROUTE 573 (US ROUTE 30)  
SECTION (115,116,117)I  
DEKALB COUNTY