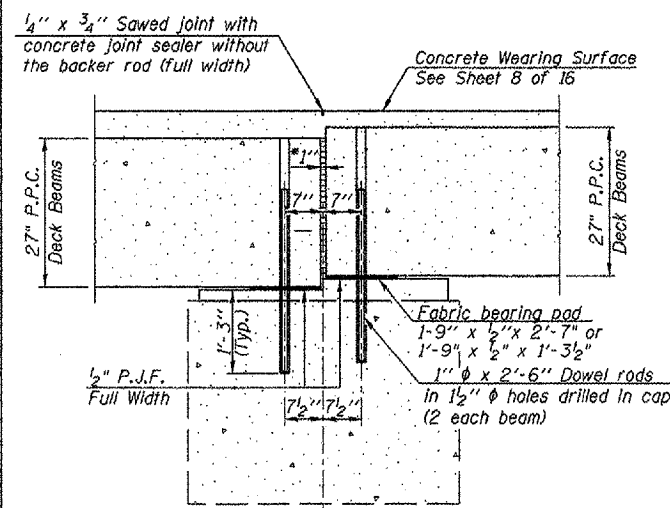
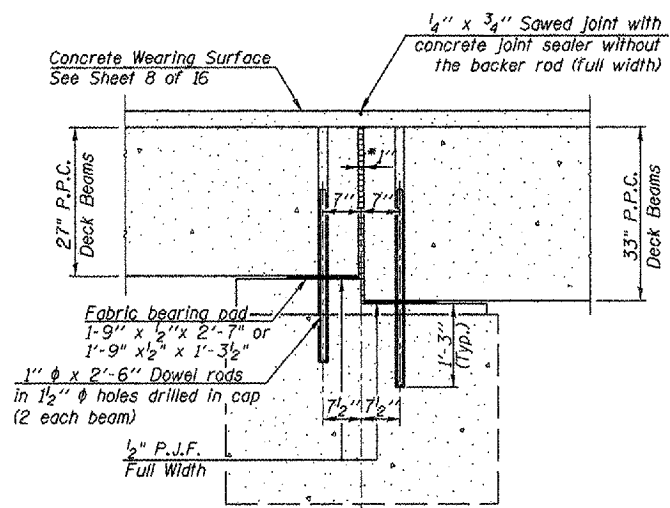


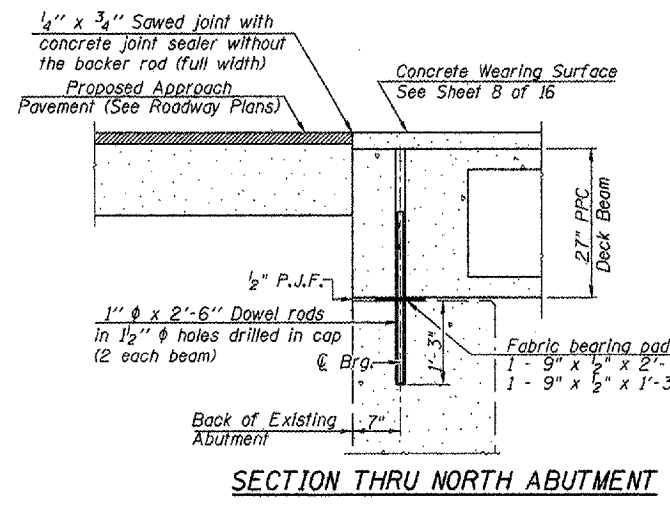
F.A.P. RTE.	SECTION	COUNTY	TOTAL SHEETS	SHEET NO.
317	(18B)	FULTON	50	19
STA. 252+75 TO STA. 262+40				
FED. ROAD DIST. NO. 4 ILLINOIS FED. AID PROJECT				



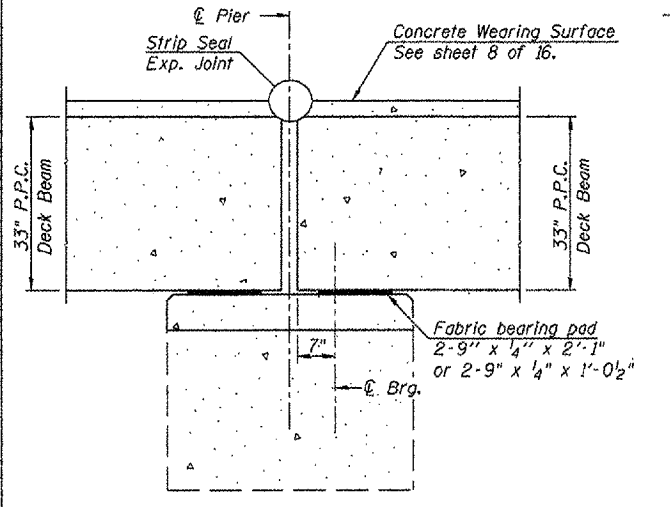
SECTION THRU PIER 1



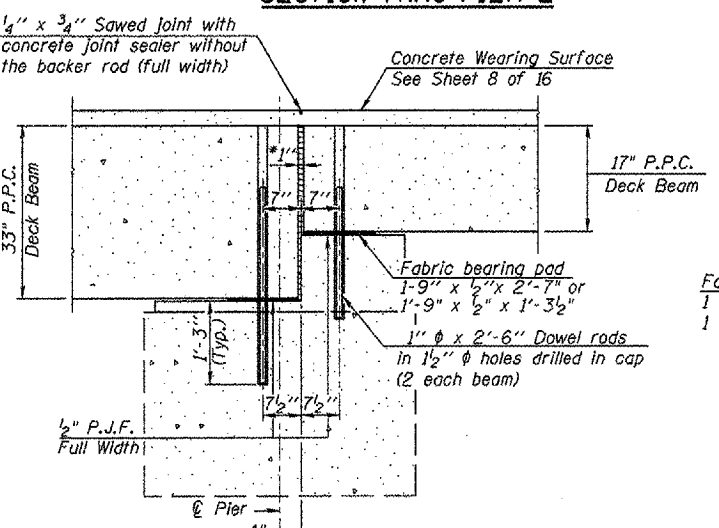
SECTION THRU PIER 2



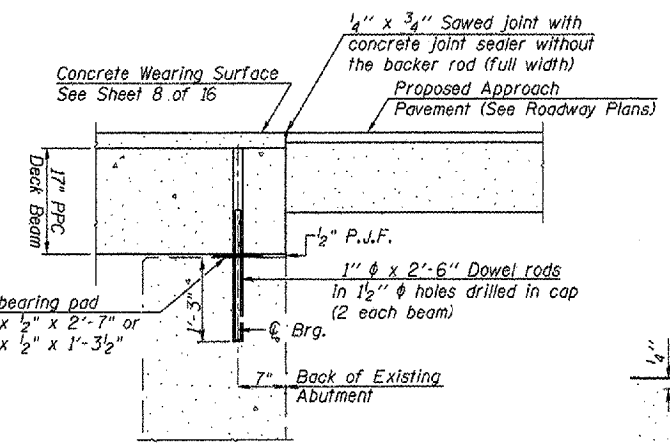
SECTION THRU NORTH ABUTMENT



SECTION THRU EXPANSION PIER 3

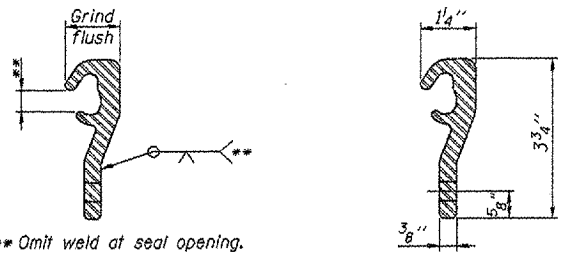


SECTION THRU PIER 4

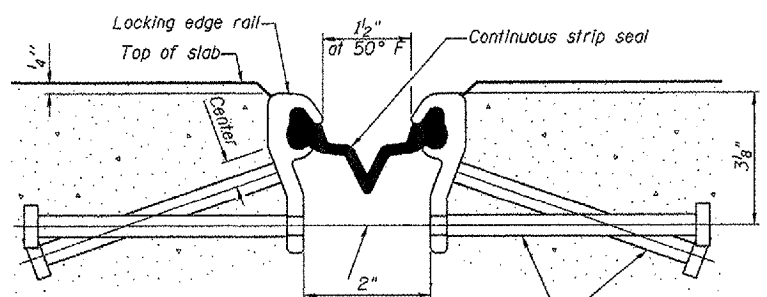


SECTION THRU SOUTH ABUTMENT

Notes:
 The strip seal shall be made continuous and shall have a minimum thickness of 1/4". The configuration of the strip seal shall match the configuration of the Locking Edge Rails.
 The height and thickness of the Locking Edge Rails shown are minimum dimensions. The actual configuration of the Locking Edge Rails and matching strip seal may vary from manufacturer to manufacturer. Flanged edge rails will not be allowed.
 The inside of the Locking Edge Rail groove shall be free of weld residue. Locking Edge Rails may be spliced at slope discontinuities and stage construction joints.
 The manufacturer's recommended installation methods shall be followed. All steel components shall be galvanized after fabrication according to Article 520.03 of the Standard Specifications.
 Strip Seal to extend 12" beyond edge of deck (both ends).

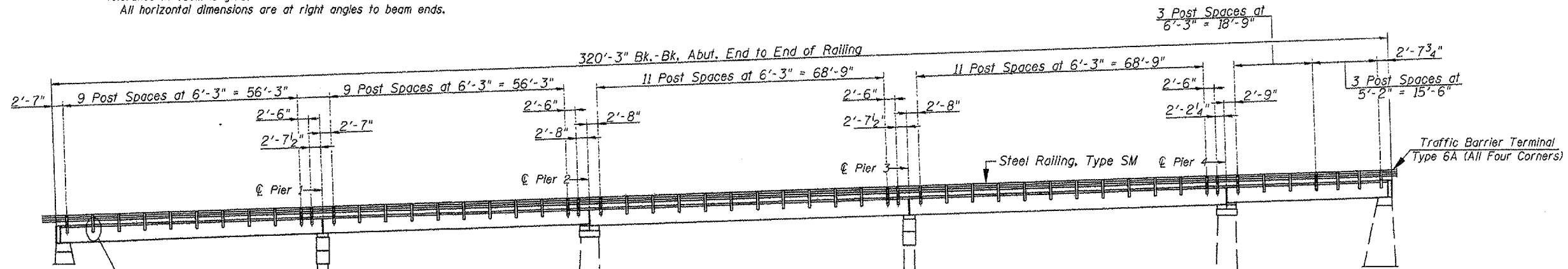


LOCKING EDGE RAIL SPLICE LOCKING EDGE RAIL



SECTION THRU STRIP SEAL JOINT FOR OVERLAY OVER DECK BEAMS (19 Studs Stage I, 24 Studs Stage II)

Notes:
 After beams have been erected, holes shall be drilled into substructure and anchor dowels placed. Dowel holes shall be filled with non-shrink grout to top of beam and allowed to cure min. 24 hrs. prior to grouting the shear keys.
 See sheets 5, 6 and 7 of 16 for bearing pad details.
 * 1" Jt. shall be filled with non-shrink grout. 1" dimension may vary to accommodate tolerance in beam lengths.
 All horizontal dimensions are at right angles to beam ends.



RAIL ELEVATION SHOWING POST SPACING

SUPERSTRUCTURE DETAILS
 F.A.P. ROUTE 317 - (U.S. 24)
 OVER OTTER CREEK
 SECTION (18B)
 FULTON COUNTY
 STA. 257+54.33
 STRUCTURE NO. 029-0005

PLOT DATE 8/20/85
 FILE NO. 18B-19
 MODEL 18B-19-0005