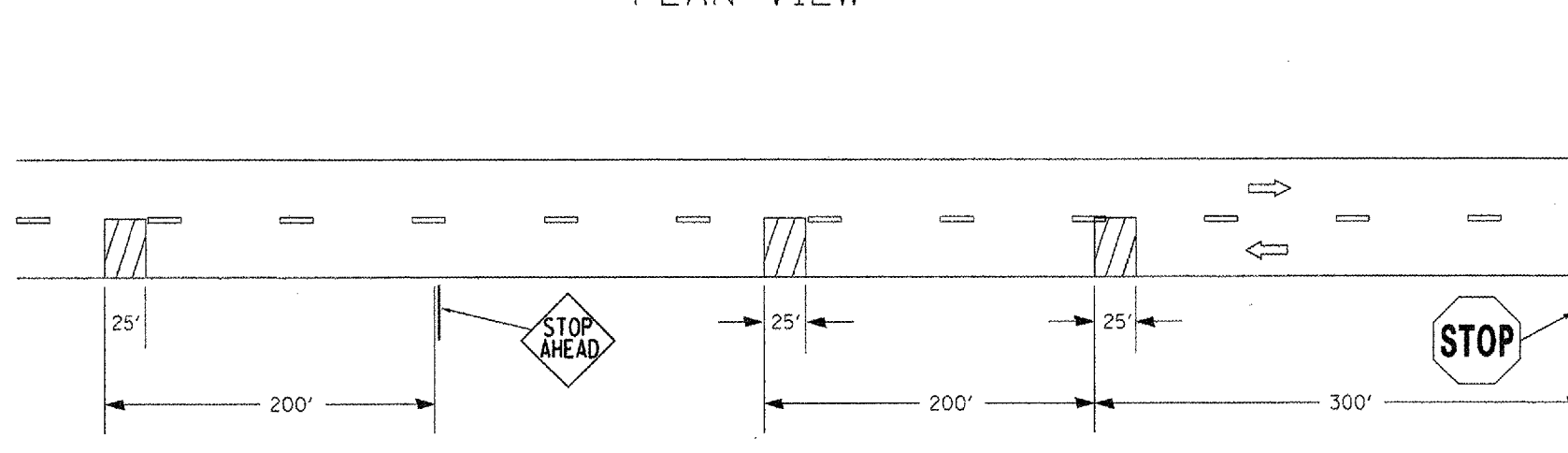


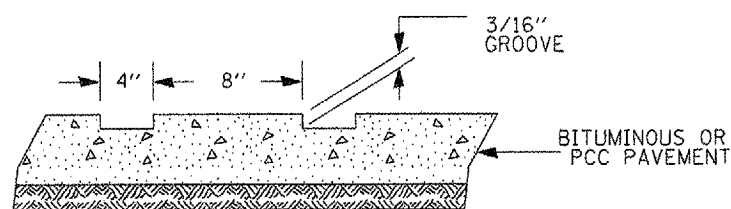
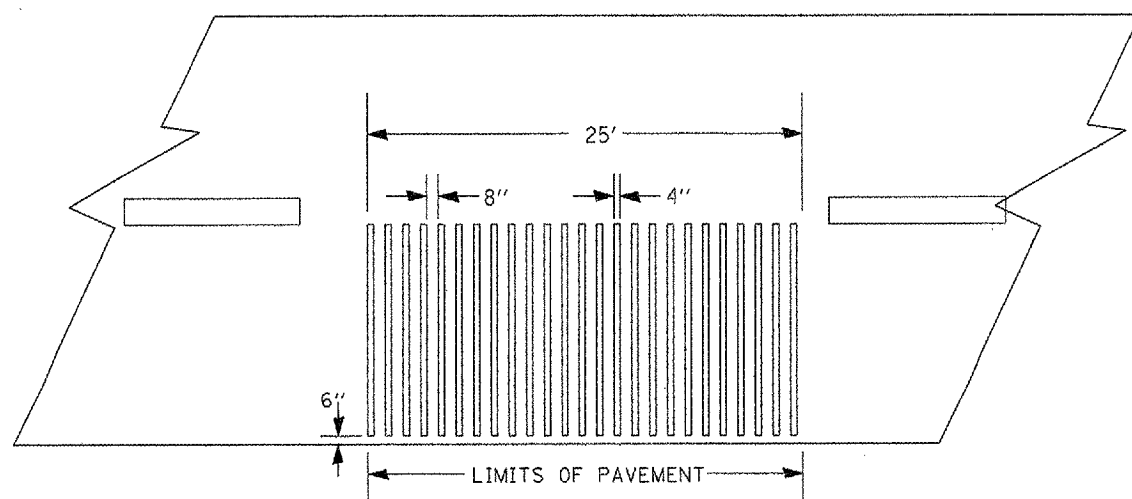
F.A.P. RTE.	SECTION	COUNTY	TOTAL SHEETS	SHEET NO.
317	(1881)	FULTON	90	42A
STA. 252+75		TO STA. 262+40		
FED. ROAD DIST. NO.	ILLINOIS	FED. AID PROJECT		

PLAN VIEW



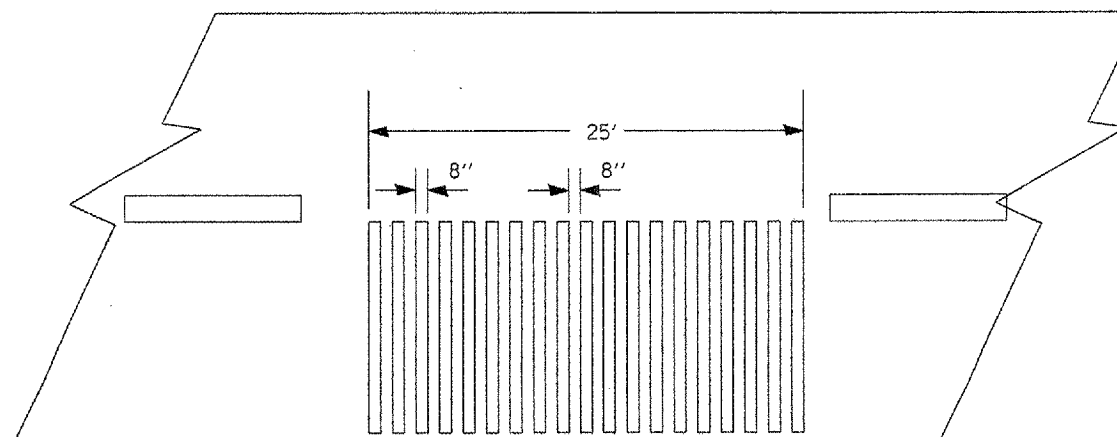
DETAIL 'A'

GROOVED (PERMANENT)



DETAIL 'B'

RAISED (TEMPORARY)



NOTE: THE 25-FOOT RUMBLE AREA HAS 8-INCH LENGTHS OF TREATED SURFACE STRETCHED ACROSS THE WIDTH OF APPROACH LANE, EACH SEPARATED BY 8 INCHES OF EXISTING PAVEMENT.

ILLINOIS DEPARTMENT OF TRANSPORTATION
DISTRICT CADD STANDARD

TEMPORARY AND
PERMANENT RUMBLE
STRIPS

SCALE: VERT. _____
HORIZ. _____
DATE _____ DRAWN BY _____
CHECKED BY: RJD

DESIGNER NOTE: MAKE SURE TO USE APPROPRIATE DIST. SPECIAL PROVISION WITH THIS DETAIL.

\$\$\$DATE\$\$\$