

F.A.P. RTE.	SECTION	COUNTY	TOTAL SHEETS	SHEET NO.
310	140BTBR (4)-A1BR-1	McDonough	66	66A
STA.	various	TO STA.	various	
FED. ROAD DIST. NO.	ILLINOIS	FED. AID PROJECT	D-94-006-07	

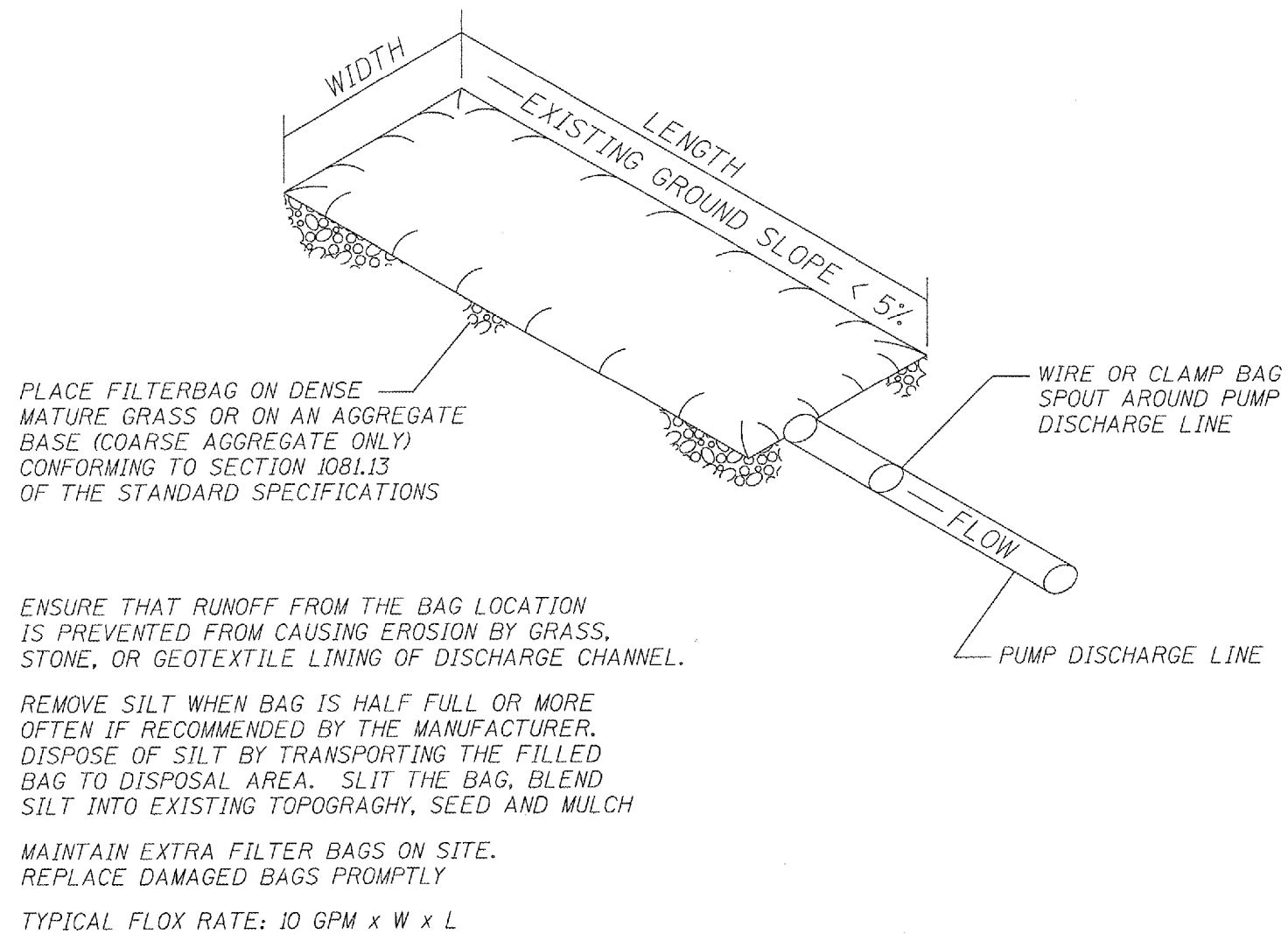


FIGURE S1. SEDIMENT FILTER BAG

NOTE: DEWATERING SYSTEM DETAILS SHALL BE USED IN CONJUNCTION WITH THE PROJECT SPECIAL PROVISIONS.

ILLINOIS DEPARTMENT OF TRANSPORTATION

DEWATERING SYSTEM DETAILS