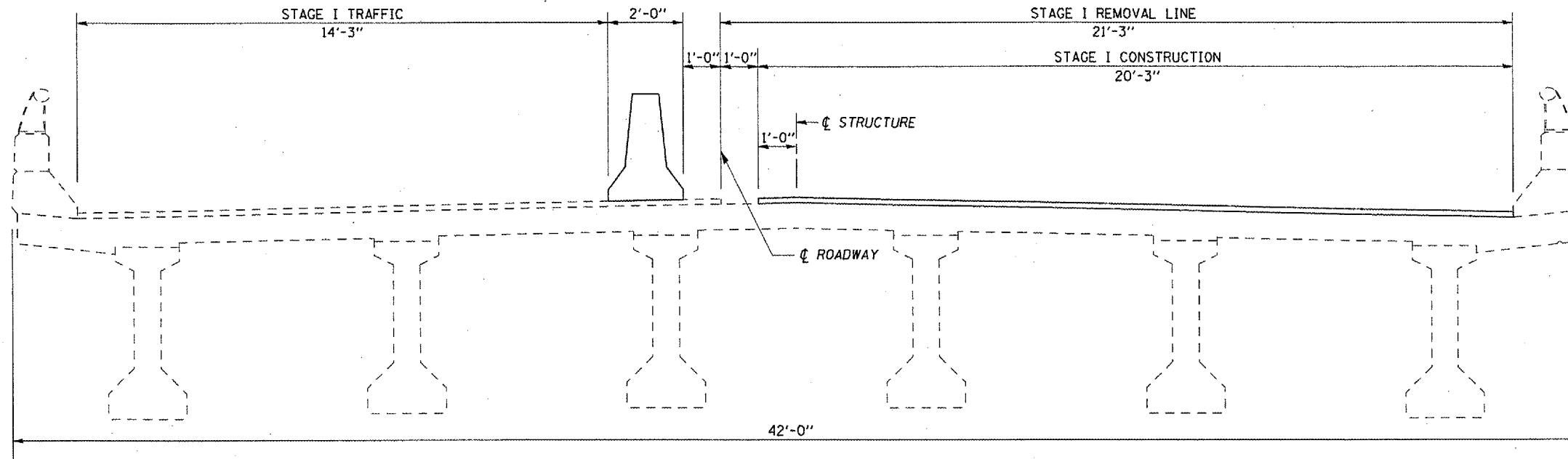


F.A.I. RTE.	SECTION	COUNTY	TOTAL SHEETS	SHEET NO.
74	*	MCLEAN	41	7

\* (57-21B&57-22B)&BDR

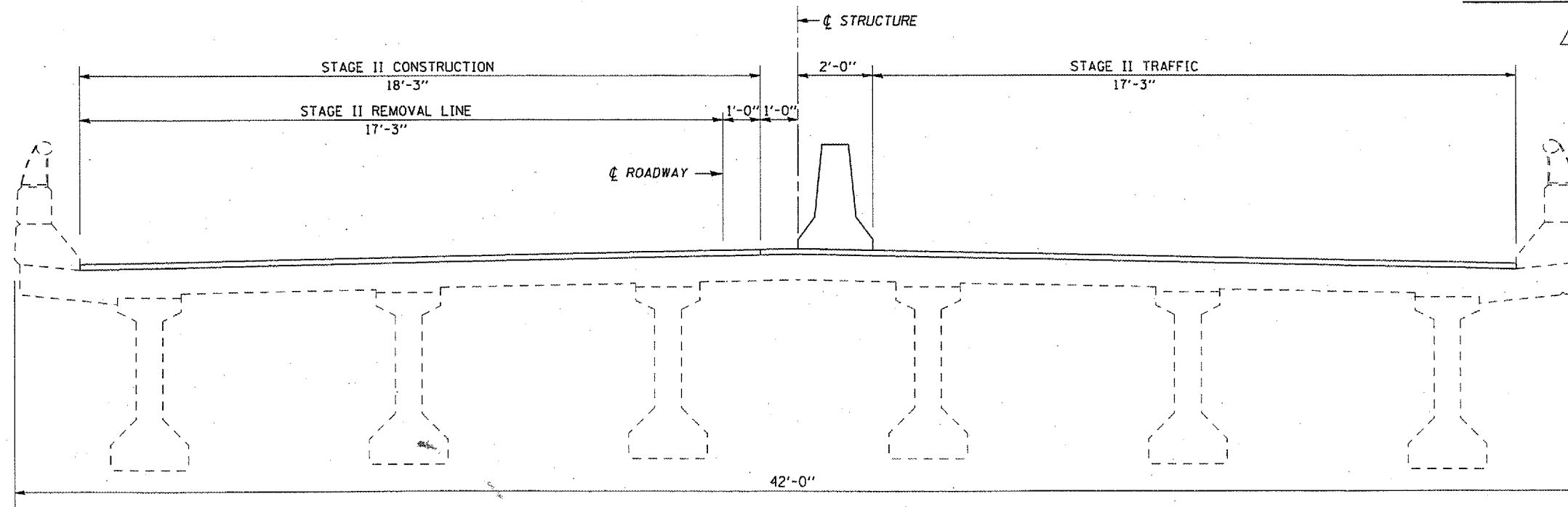
SHEET 3 OF 8

**STAGE I CONSTRUCTION**  
**S.N. 057-0120**

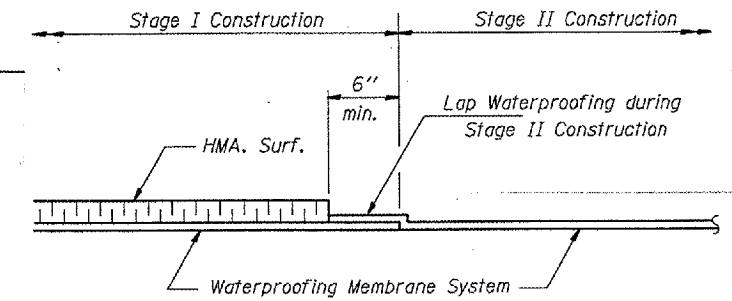


EASTBOUND (LOOKING EAST)

**STAGE II CONSTRUCTION**  
**S.N. 057-0120**



EASTBOUND (LOOKING EAST)



**WATERPROOFING TREATMENT**  
**AT STAGE CONSTRUCTION**

PLOT DATE = 8/16/2007  
 FILE NAME = c:\p\projects\4581187\4581187.dgn  
 PLOT SCALE = 1/8"=1'-0"  
 USER NAME = collarb

ILLINOIS DEPARTMENT OF TRANSPORTATION  
 STAGE CONSTRUCTION  
 F.A.I. ROUTE 74  
 SECTION (57-21B&57-22B)&BDR  
 MCLEAN COUNTY  
 S.N. 057-0120

SCALE: NA DRAWN BY: JRP  
 DATE: 03/22/07 CHECKED BY: