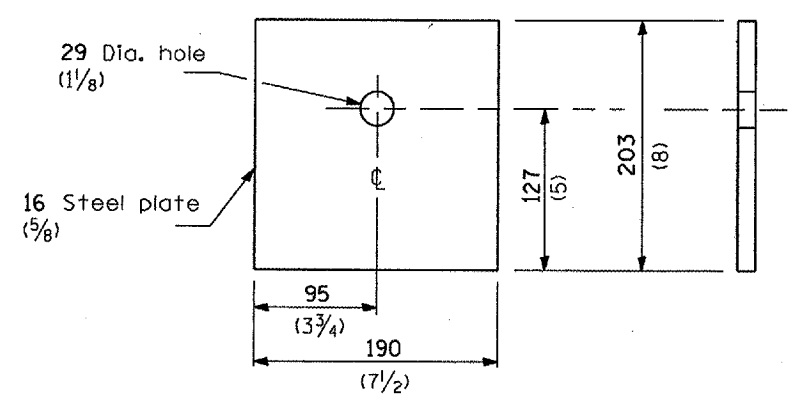
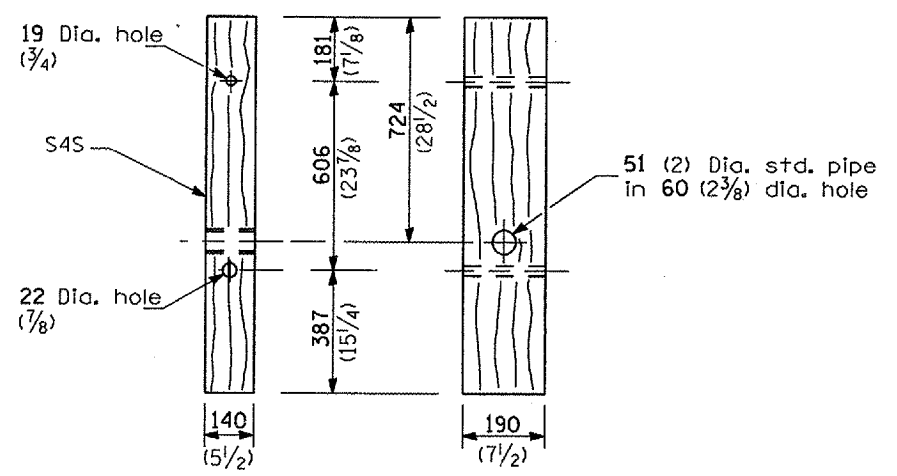


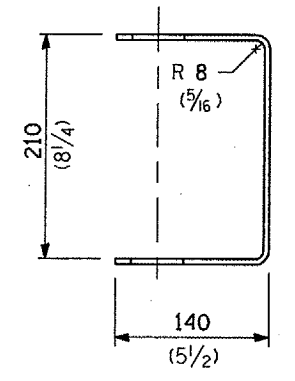
F.A. RTE.	SECTION	COUNTY	TOTAL SHEETS	SHEET NO.
42	100	MONROE	6	61A
FED. ROAD DIST. NO.		ILLINOIS		FED. AID PROJECT



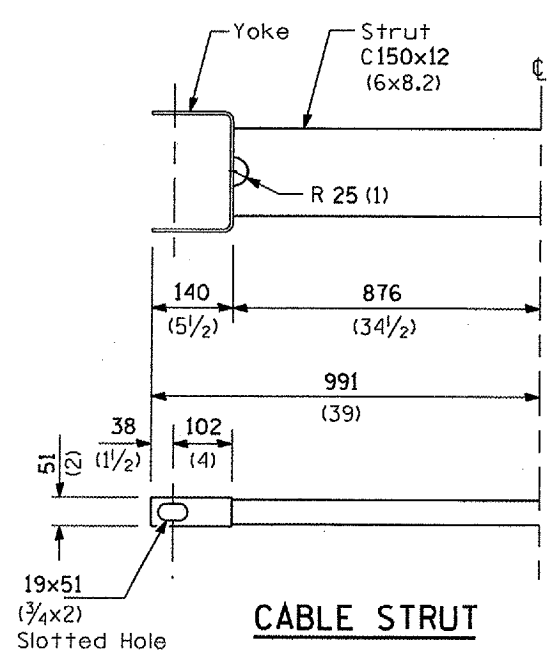
BEARING PLATE K



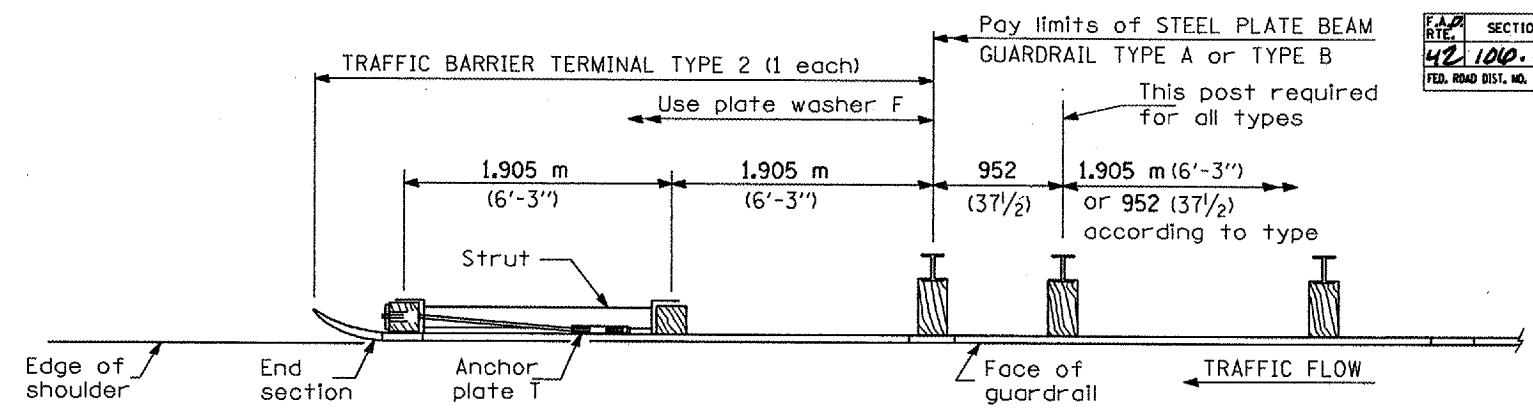
WOOD POST



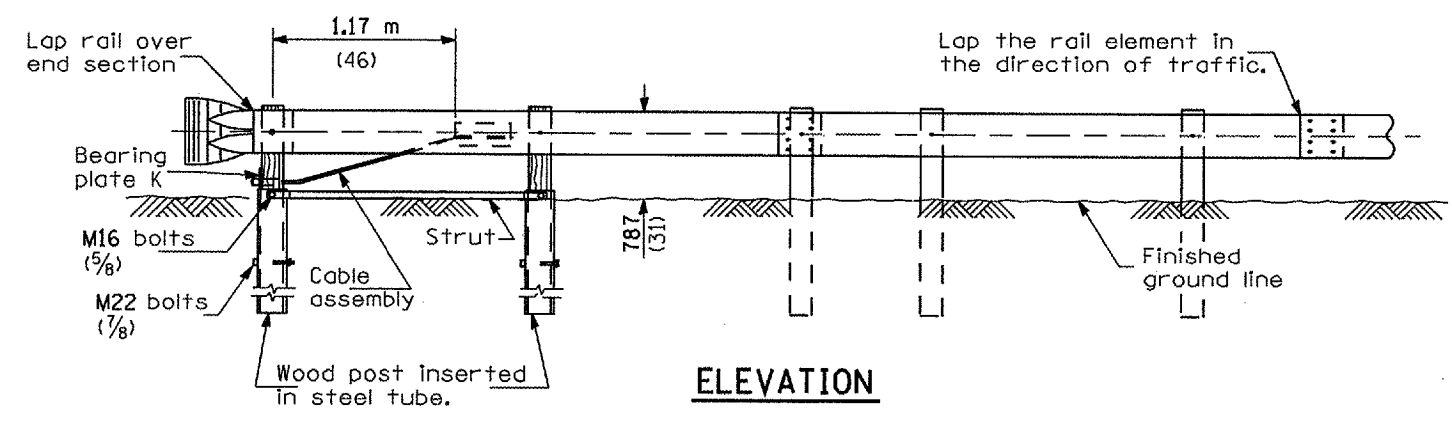
YOKE
5 (3/16) thick steel



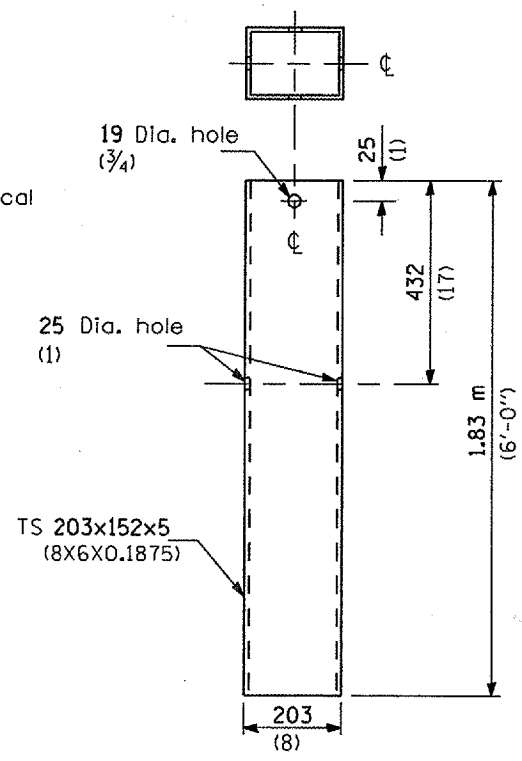
CABLE STRUT



PLAN



ELEVATION



STEEL TUBE

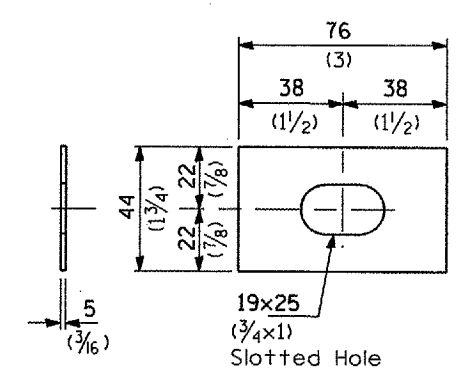


PLATE WASHER F

GENERAL NOTES

See Standard 630001 for details of guardrail not shown.

The bearing plate K shall be held in position by (2) two eight penny nails driven into the post and bent over the top of the plate.

All dimensions are in millimeters (inches) unless otherwise shown.

TRAFFIC BARRIER TERMINAL, TYPE 2

DETAIL