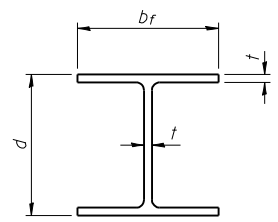
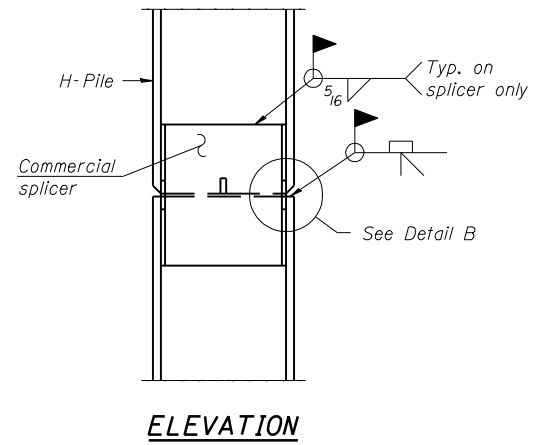


F.A.P. RTE.	SECTION	COUNTY	TOTAL SHEETS	SHEET NO.
304	2(B-5,B-6)	PIKE	112	56A
STA. TO STA.				
FED. ROAD DIST. NO. 6 ILLINOIS FED. AID PROJECT			SN075-2508 Sheet 8 of 11	

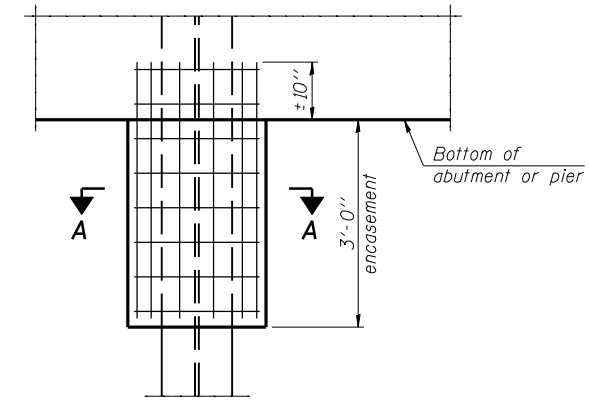


### STEEL PILE TABLE

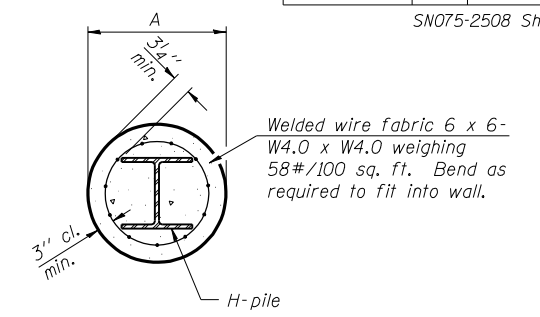
Designation	Depth d	Flange width bf	Web and Flange thickness t	Encasement diameter A
HP 14x117	14 1/4"	14 7/8"	13/16"	30"
x102	14"	14 3/4"	1/16"	30"
x89	13 7/8"	14 3/4"	5/8"	30"
x73	13 5/8"	14 5/8"	1/2"	30"
HP 12x84	12 1/4"	12 1/4"	1/16"	24"
x74	12 1/8"	12 1/4"	5/8"	24"
x63	12"	12 1/8"	1/2"	24"
x53	11 3/4"	12"	7/16"	24"
HP 10x57	10"	10 1/4"	9/16"	24"
x42	9 3/4"	10 1/8"	7/16"	24"
HP 8x36	8"	8 1/8"	7/16"	18"



**ELEVATION**

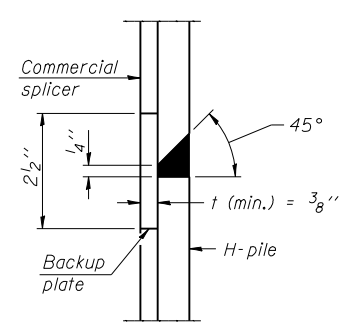


**ELEVATION**

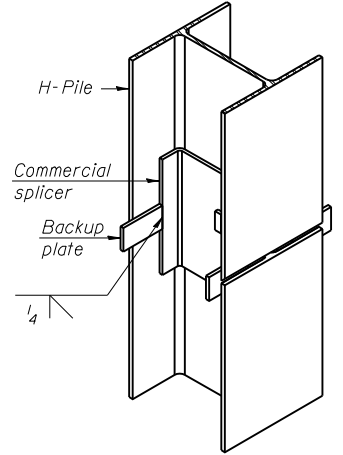


**SECTION A-A**

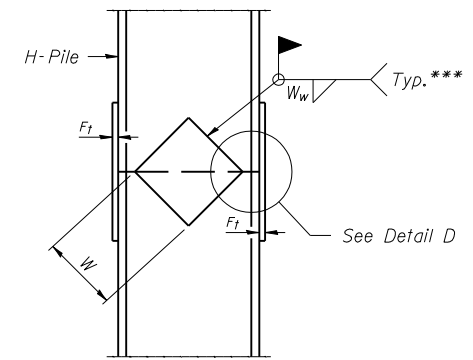
Note:  
Forms for encasement may be omitted when soil conditions permit.



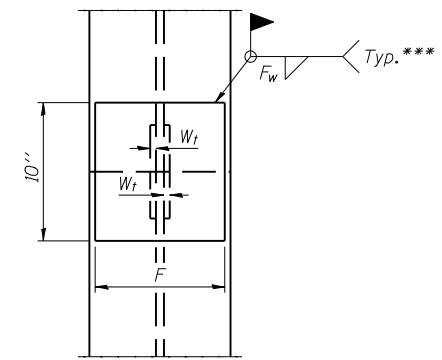
**DETAIL "B"**



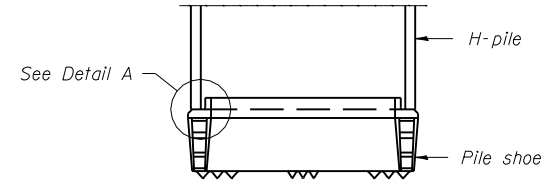
**ISOMETRIC VIEW**



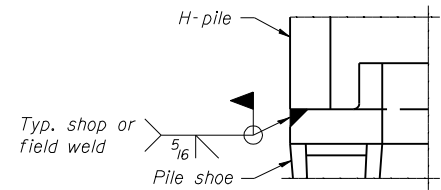
**ELEVATION**



**END VIEW**

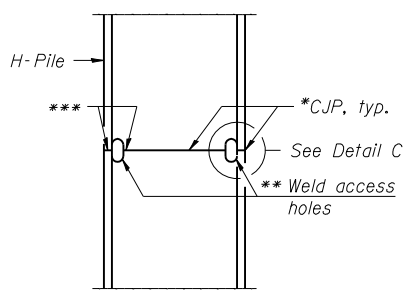


**ELEVATION**



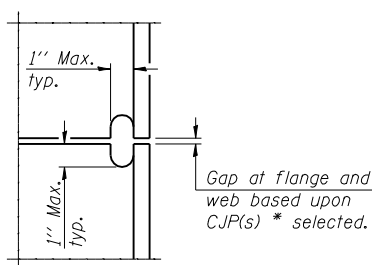
**DETAIL A**

### H-PILE SHOE ATTACHMENT



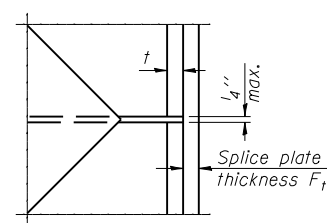
**ELEVATION**

### COMPLETE PENETRATION WELD SPLICE



**DETAIL C**

- \* Use joint conforming to Figure 3.4 in AWS D1.1, Structure Welding Code - Steel.
- \*\* Preparation per Fig. 5.2 in AWS D1.1, Structure Welding Code - Steel.
- \*\*\* Interrupt welds 1/4" from end of each pile.



**DETAIL D**

### WELDED PLATE FIELD SPLICE

Designation	F	F <sub>t</sub>	F <sub>w</sub>	W	W <sub>t</sub>	W <sub>w</sub>
HP 14x117	12 1/2"	1"	7/8"	7 3/4"	5/8"	1/2"
x102	12 1/2"	7/8"	3/4"	7 3/4"	5/8"	1/2"
x89	12 1/2"	3/4"	1/16"	7 3/4"	5/8"	1/2"
x73	12 1/2"	5/8"	9/16"	7 3/4"	5/8"	1/2"
HP 12x84	10"	7/8"	1/16"	6 1/2"	5/8"	1/2"
x74	10"	7/8"	1/16"	6 1/2"	5/8"	1/2"
x63	10"	5/8"	1/2"	6 1/2"	1/2"	3/8"
x53	10"	5/8"	1/2"	6 1/2"	1/2"	3/8"
HP 10x57	8"	3/4"	9/16"	5 1/4"	1/2"	3/8"
x42	8"	5/8"	9/16"	5 1/4"	1/2"	3/8"
HP 8x36	7"	5/8"	7/16"	4 1/4"	1/2"	3/8"

Note:  
The steel H-piles shall be according to AASHTO M270 Grade 50.

REVISIONS	
NAME	DATE

ILLINOIS DEPARTMENT OF TRANSPORTATION  
**PILE ENCASEMENT**  
 ILLINOIS ROUTE 96 OVER  
 BREWSTER CREEK  
 FAP RTE 304 - SECT. 2(B-5,B-6)  
 PIKE COUNTY  
 STATION 404+21.51  
 STRUCTURE NO. 075-2508

SCALE: N/A DRAWN BY JLS  
 DATE: SEPT 2007 CHECKED BY DSP

PLOT DATE: Sep-26-2007 02:42:55PM  
 FILE NAME: c:\p\projects\ad652404\pibole\_f\p\11\075-0039\050181\_brewster\_culvert\_plans\_09-26-2007.dgn  
 PLOT SCALE: 0.0833 1/16" IN.  
 USER NAME: j.taughlinr1