

F.A.P. RTE.	SECTION	COUNTY	TOTAL SHEETS	SHEET NO.
304	3B-1	PIKE	51	26
STA.		TO STA.		
FED. ROAD DIST. NO.	ILLINOIS	FED. AID PROJECT		

LEGEND FOR STORM WATER POLLUTION PREVENTION PLAN

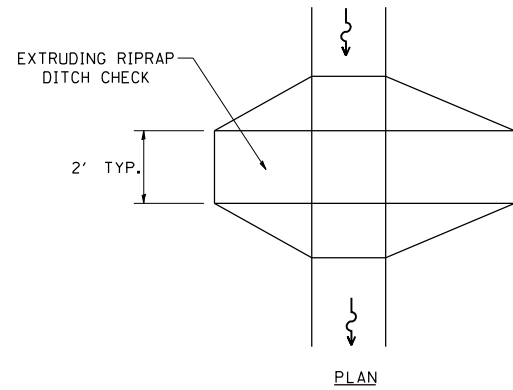
ITEM	SYMBOL
AGGREGATE (EROSION CONTROL) [STONE DUMPED RIPRAP DITCH CHECKS: Height = 0.6m (2')]	
TEMPORARY DITCH CHECKS	
INLET PIPE PROTECTION (I&PP)	
EROSION CONTROL FENCE	
EARTH EXCAVATION FOR EROSION CONTROL (SEDIMENT BASINS)	
PRESERVE EXISTING TREES, WOODLANDS, AND UNDERSTORY (OUTSIDE CONSTRUCTION LIMITS)	
ITEM PLACED AT BEGINNING OF CONSTRUCTION (Requirement)	* [ITEM] *
ITEM PLACED AS DIRECTED BY ENGINEER (When required by situation)	[ITEM]
DIRECTION OF OVERLAND FLOW	

GENERAL NOTES:

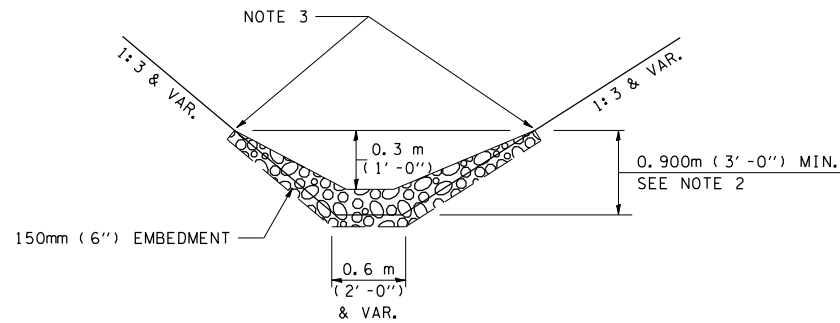
All items shall be constructed as shown on this sheet, on Standard 280001, and as directed by the Engineer.

The symbology on the STORM WATER POLLUTION PREVENTION PLAN sheets does not represent the size or quantity of bales, for number of bales refer to details and notes shown on this sheet and/or as directed by the Engineer.

THE CONTRACTOR SHALL INSTALL DITCH CHECKS AS DIRECTED BY THE ENGINEER. IF THE ENGINEER ELECTS TO UTILIZE FLUSH RIPRAP DITCH CHECKS IN LIEU OF TEMPORARY DITCH CHECKS AS SHOWN ON THE FOLLOWING PLAN SHEETS, THE SPACING SHOULD BE DOUBLED.



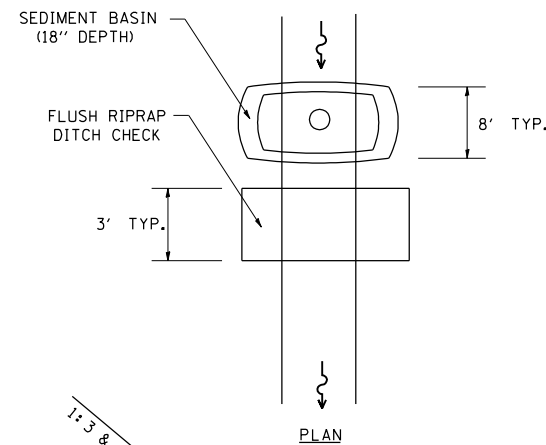
PLAN



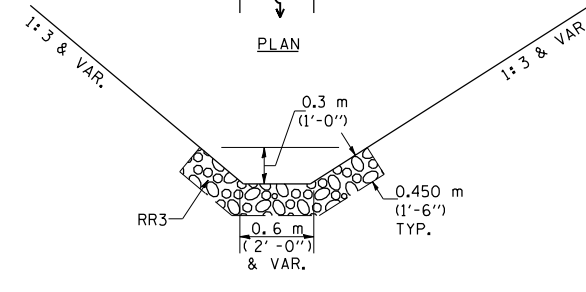
ELEVATION

OPTION 1

(EXTRUDING DITCH CHECK)
RECOMMENDED FOR AREAS
W/ RIPRAP DITCH LINING



PLAN



ELEVATION

OPTION 2

(FLUSH DITCH CHECK)
RECOMMENDED FOR AREAS
W/O RIPRAP DITCH LINING

STONE DUMPED RIPRAP DITCH CHECK

(TYPICAL & OPTIONS 1 & 2
AS DIRECTED BY THE ENGINEER)

NOTE 1: BALES SHALL EXTEND FAR ENOUGH UP THE SLOPES TO ALLOW 0.3m (1') OVERTOPPING TO AVOID ERODING AROUND THE EDGES OF THE BALES.

NOTE 2: RIPRAP SHALL EXTEND FAR ENOUGH UP THE SLOPES TO ALLOW 0.3m (1') OVERTOPPING TO AVOID ERODING AROUND THE EDGES OF THE RIPRAP.

NOTE 3: ENDS SHALL BE TIED INTO SLOPES.

PLOT DATE = Aug-31-2007 11:49:19AM
FILE NAME = c:\projects\653784\ppchursh.tbl\swpplan.dwg
PLOT SCALE = 4:2,3528 / IN.
USER NAME = laughlin-1

SWPPLAN

REVISIONS	
NAME	DATE
CAD Symbol	2AUG99
JCN	MAR2004

ILLINOIS DEPARTMENT OF TRANSPORTATION

STORM WATER POLLUTION PREVENTION PLAN

SCALE: VERT.
HORIZ.
DATE: APRIL 5, 1999

DRAWN BY CADD
CHECKED BY JCN