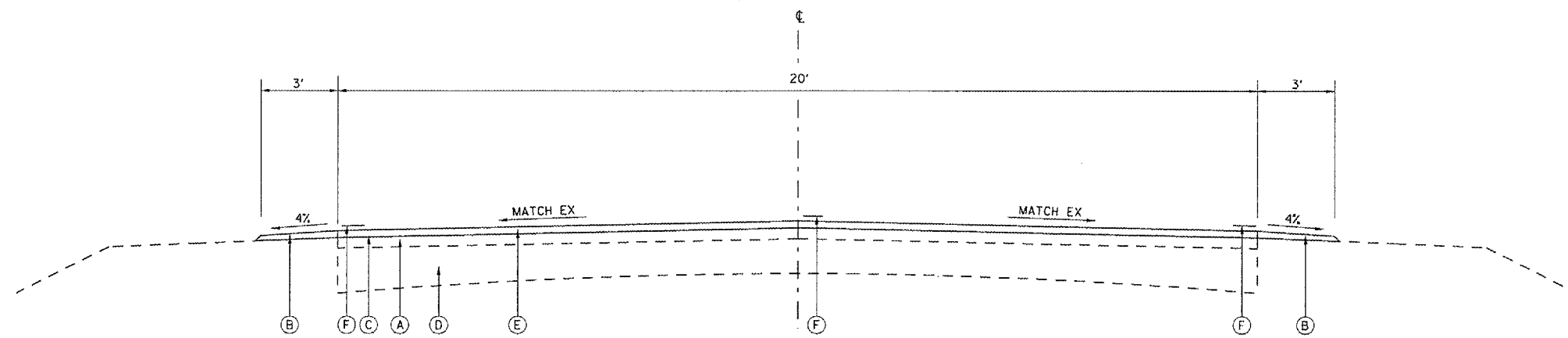


CONTRACT NO. T2B08

F.A.P. RTE.	SECTION	COUNTY	TOTAL SHEETS	SHEET NO.
735	*	MACOUPIN	4	4
STA.		TO STA.		
FED. ROAD DIST. NO.	ILLINOIS	FED. AID PROJECT		



- LEGEND
- (A) EX. BITUMINOUS CONCRETE SURFACE, MIX., TYPE 2, 1 1/2"
  - (B) EX. AGG. SHLDS.
  - (C) EX. SEAL COAT
  - (D) EX. AGG. BASE
  - (E) PROPOSED CAPE SEAL
  - (F) PROPOSED 5" PAINT PAVEMENT MARKING

TYPICAL SECTION  
 72+34 TO 171+86.7  
 173+60 TO 252+91  
 399+75 TO 558+58

STATION EQUATION  
 STA 171+86.7 BK=  
 STA 173+60 AH

PLT DATE : Aug 13, 2007 01:01:29M  
 FILE NAME : m:\p\2007\735\173+60\173+60.dgn  
 PLT SCALE : 211767' / IN.  
 USER NAME : laughton1

REVISIONS	
NAME	DATE

ILLINOIS DEPARTMENT OF TRANSPORTATION

TYPICAL SECTIONS

FAP 735  
 SECTION GRS-4; TRS-7  
 MACOUPIN COUNTY

SCALE: VERT.      DRAWN BY  
 HORIZ.              CHECKED BY  
 DATE