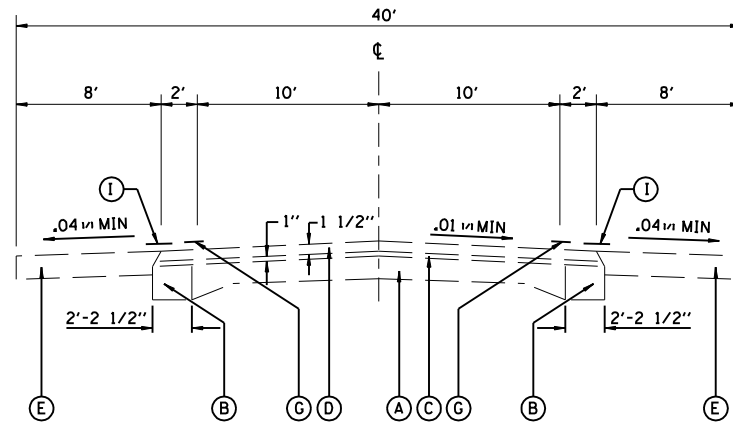


F.A.P. RTE.	SECTION	COUNTY	TOTAL SHEETS	SHEET NO.
34	.	**	13	8

STA.	TO STA.
FED. ROAD DIST. NO.	ILLINOIS FED. AID PROJECT

- D-6 SHLDR RUMBLE STRIPS 2008
- MENARD, SANGAMON COUNTY



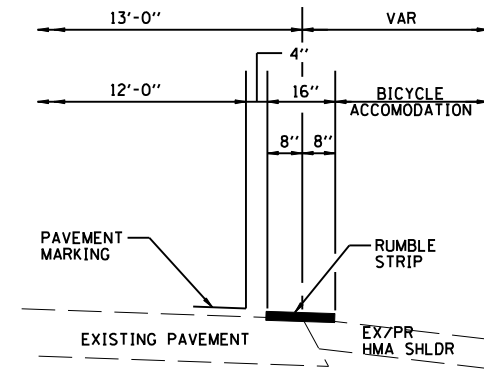
RT 111+62 TO 113+62  
 113+62 TO 114+00  
 243+68.15 (AH) TO 320+60  
 337+89 TO 347+50  
 RT 347+50 TO 348+25

"RUMBLE STRIP"  
 TOWN OF SALIBURY  
 OMISSION  
 291+00 TO 308+00

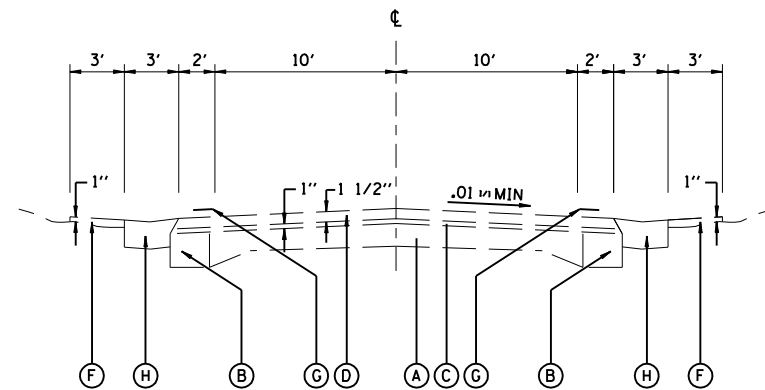
LEGEND

- (A) EX PCC PAVT (9"-6 1/2" - 9") & BIT CONC SURF
- (B) EX BIT CONC BASE CRSE WIDENING 9"
- (C) EX LEVELING BINDER MACHINE METHOD 1"
- (D) EX BIT CONC SURF CRSE MIX D CLASS 1 - 1 1/2"
- (E) EX BITUMINOUS SHOULDER 8"
- (F) EX AGGREGATE SHOULDERS, TYPE A
- (G) EX PAINT PAVEMENT MARKING - LINE 5"
- (H) EX CONCRETE GUTTER TY A (MODIFIED)
- (I) PROPOSED SHOULDER RUMBLE STRIP (SEE DETAIL)

RUMBLE STRIP DETAIL



OMIT SHOULDER RUMBLE STRIPS ACROSS  
 STRUCTURES & SIDE ROAD/ENTRANCES  
 AND THROUGH SALISBURY



STA 291+64 TO 300+68 LT  
 291+00 TO 304+00 RT

STATION EQUATION 296+12.5 BK = 290+76.1 AHD  
 • SEE CURVE DATA FOR SE STA 291±00 TO 296±00

REVISIONS	
NAME	DATE

ILLINOIS DEPARTMENT OF TRANSPORTATION  
 TYPICALS  
 FAP 34 (IL 97)  
 SECTION D-6 SHLDR  
 RUMBLE STRIPS 2008  
 MENARD, SANGAMON COUNTY  
 SCALE: VERT. / HORIZ.  
 DATE / DRAWN BY / CHECKED BY

PLOT DATE = Aug-15-2007 10:02:17AM  
 FILE NAME = c:\p\projects\610597\ah\typical.dgn  
 PLOT SCALE = 1/8" = 1' / IN.  
 USER NAME = laughlin-1