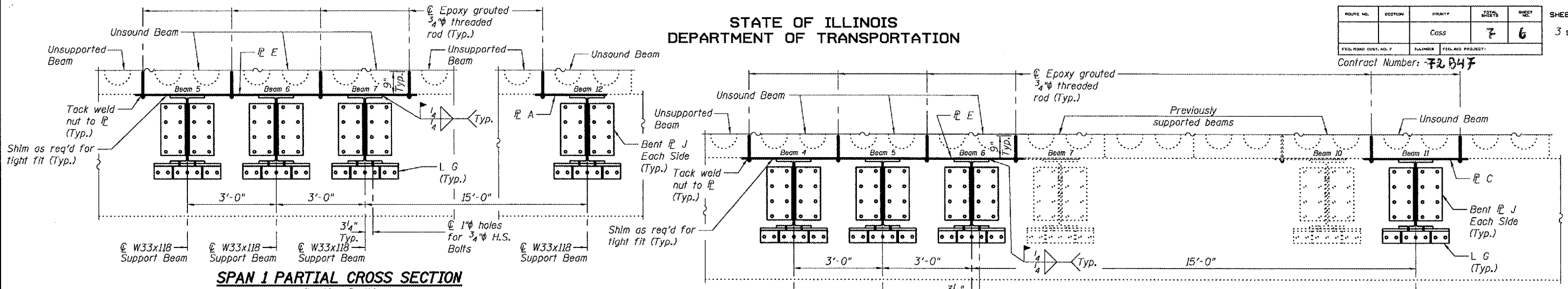
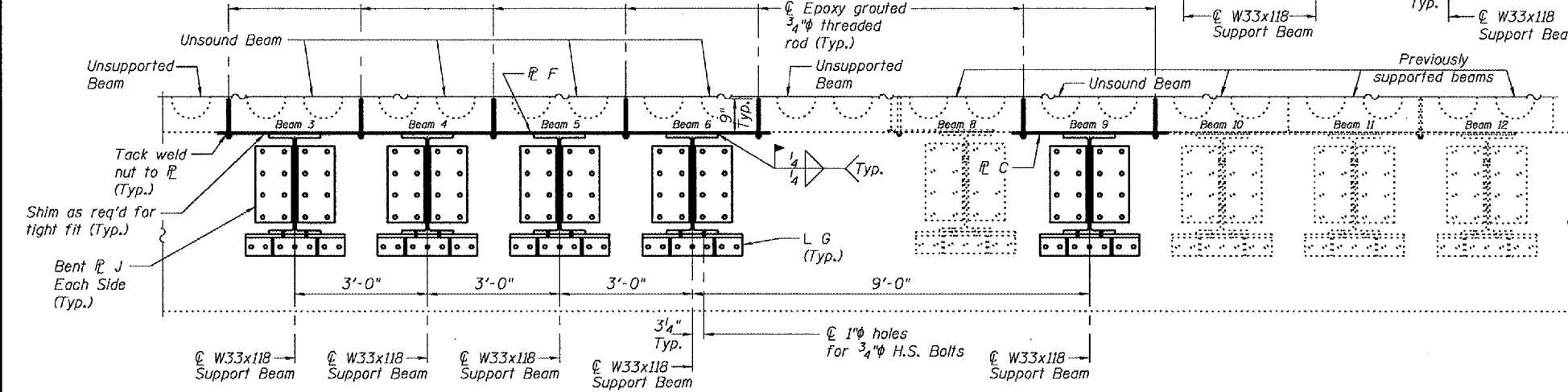


STATE OF ILLINOIS
DEPARTMENT OF TRANSPORTATION

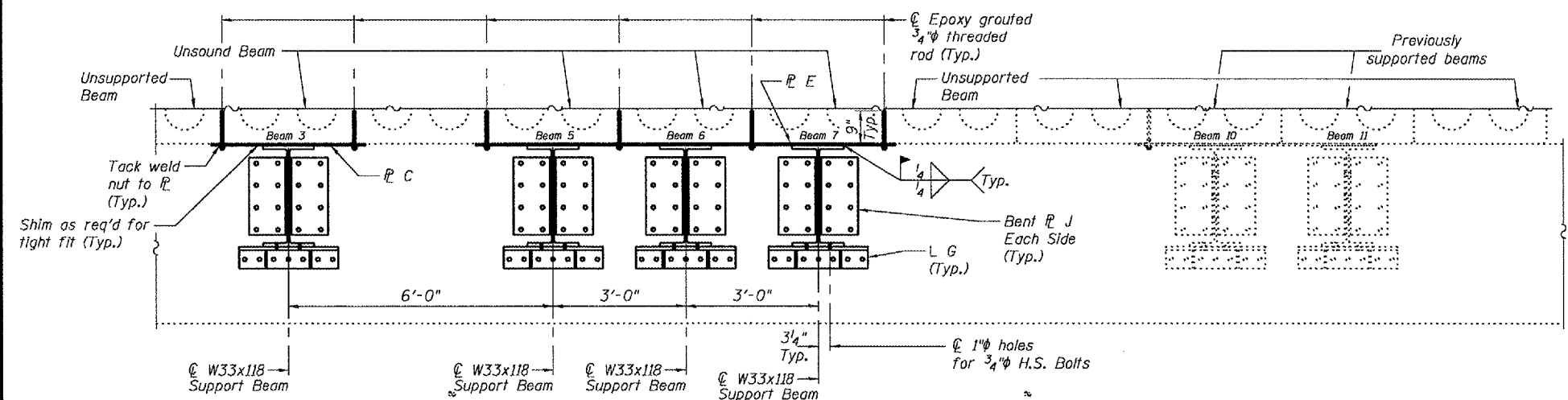
ROUTE NO.	SECTION	COUNTY	TOTAL SHEETS	SHEET NO.
		Cass	7	6
Contract Number: 72 B47				
SHEET NO. 2 3 SHEETS				



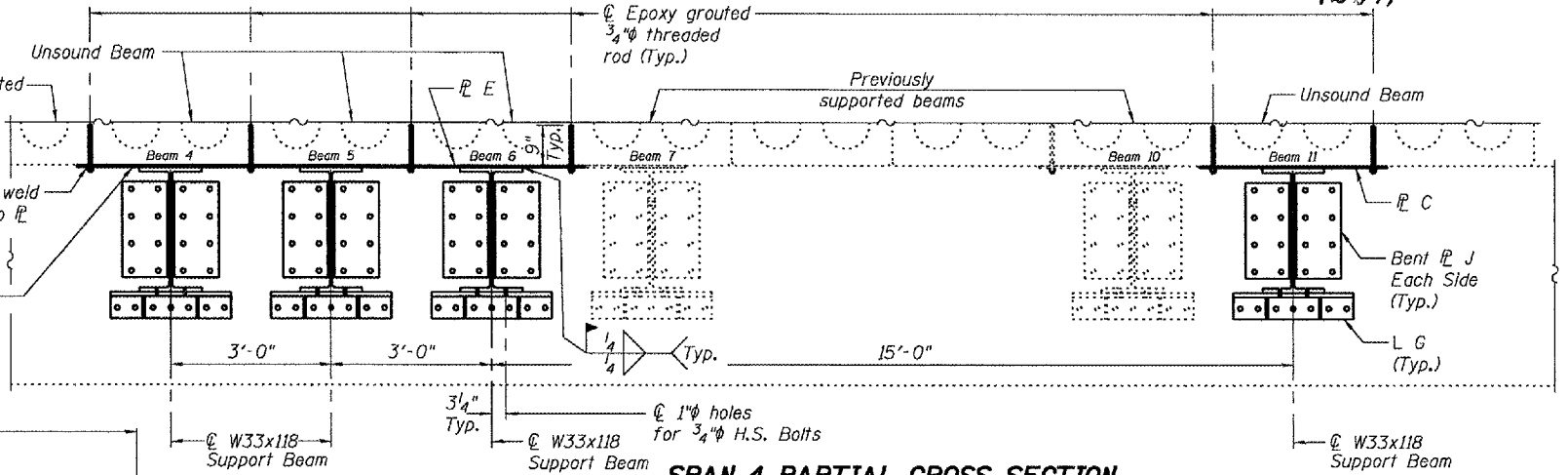
SPAN 1 PARTIAL CROSS SECTION
(Looking South)



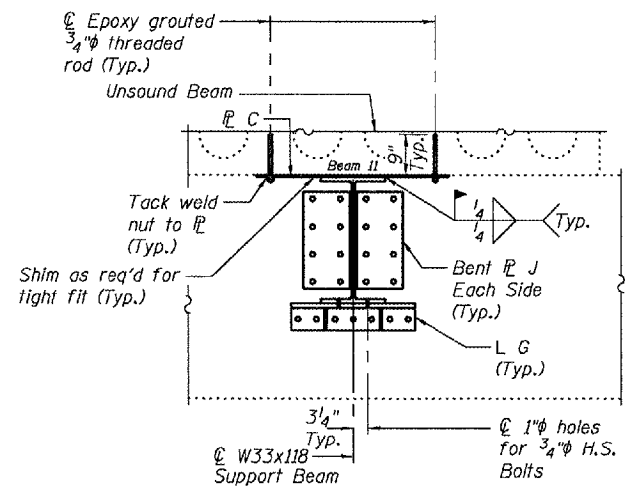
SPAN 2 PARTIAL CROSS SECTION
(Looking South)



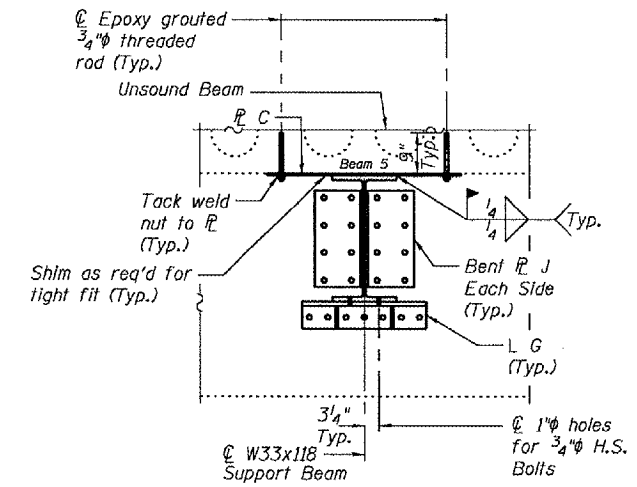
SPAN 3 PARTIAL CROSS SECTION
(Looking South)



SPAN 4 PARTIAL CROSS SECTION
(Looking South)



SPAN 7 PARTIAL CROSS SECTION
(Looking South)



SPAN 5 PARTIAL CROSS SECTION
(Looking South)

DECK CROSS SECTIONS
F.A.P. RT.614
CASS COUNTY
SN 009-006

DESIGNED	A.T.H.	EXAMINED	August 30, 2007
CHECKED	S.J.B.	PASSED	<i>Ralph E. Anderson</i> ENGINEER OF BRIDGES AND STRUCTURES
DRAWN	Drew Christopher		
CHECKED	A.T.H. S.J.B.		