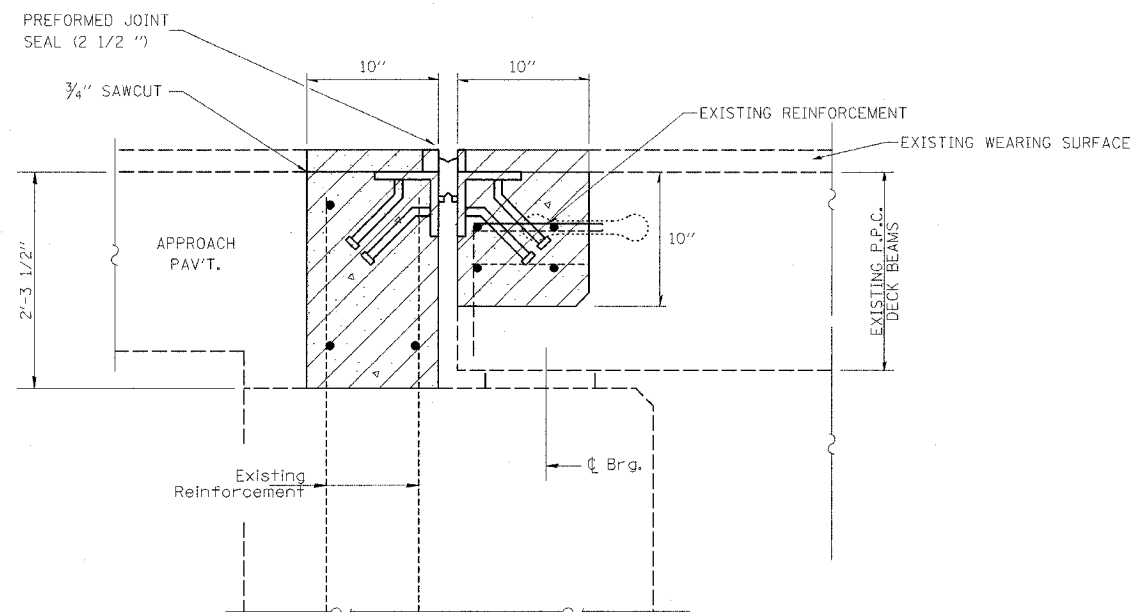


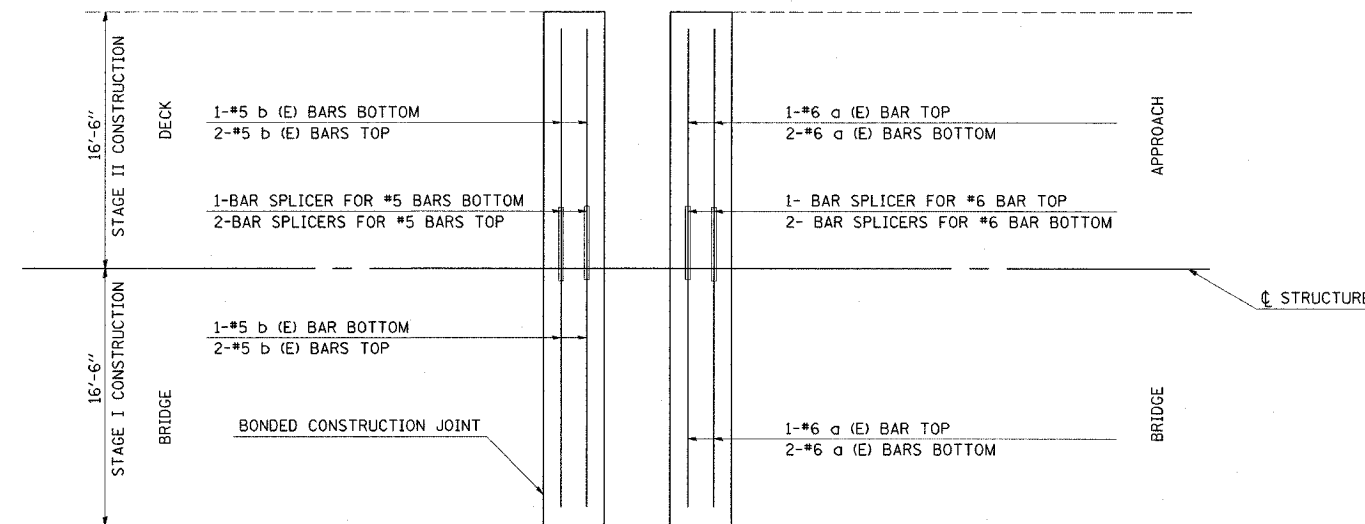
F.A.S. RTE.	SECTION	COUNTY	TOTAL SHEETS	SHEET NO.
1669	COLES		17	9
STA.		TO STA.		
FED. ROAD DIST. NO.		ILLINOIS FED. AID PROJECT		



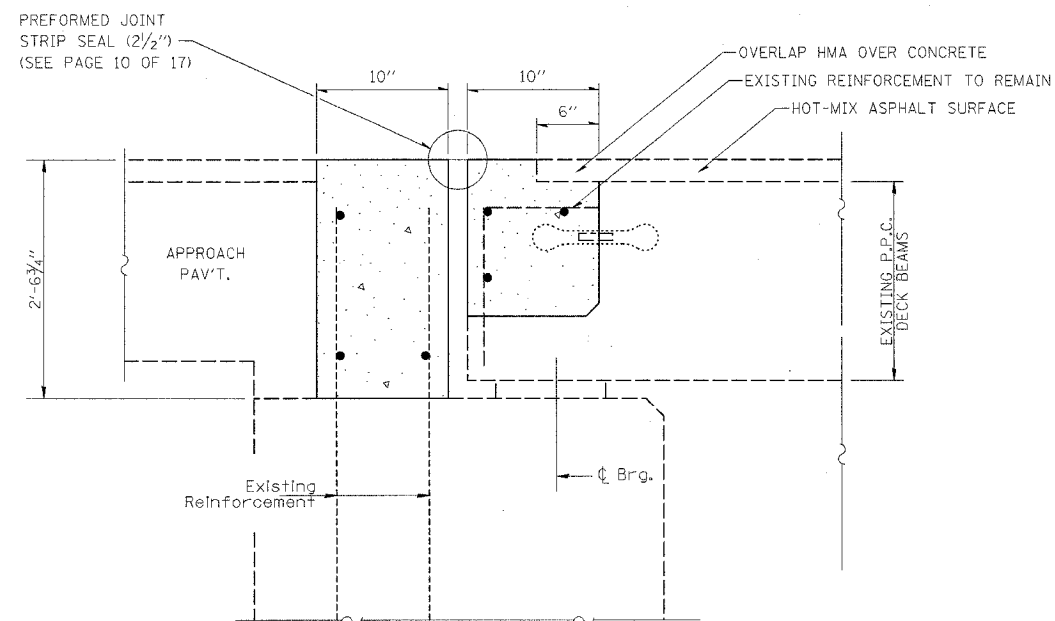
EXISTING EXPANSION JOINTS AT EAST ABUTMENT

CONCRETE REMOVAL

\* CONTRACTOR MUST EXERCISE EXTREME CARE WHILE, REMOVING CONCRETE AT THIS LOCATION TO INSURE THAT NO DAMAGE IS DONE TO THE PPC DECK BEAMS.



REINFORCEMENT DETAIL  
EAST ABUTMENT



PROPOSED EXPANSION JOINTS AT EAST ABUTMENT

CONCRETE SUPERSTRUCTURE

BAR	NUMBER OF BARS		TOTAL	SIZE	LENGTH	SHAPE	
	STAGE I	STAGE II					
a(E)	3	3	6	6	16'-4"	—	
b(E)	3	3	6	5	16'-4"	—	
CONCRETE REMOVAL						CU. YD.	3.1
REINFORCEMENT BARS (EPOXY COATED)						LBS	250
CONCRETE SUPERSTRUCTURES						CU. YD.	3.6

REINFORCEMENT BARS DESIGNATED (E) SHALL BE EPOXY COATED

REVISIONS	
NAME	DATE

ILLINOIS DEPARTMENT OF TRANSPORTATION

**EXPANSION JOINT  
DETAILS  
S.N. 015-0069**

SCALE: VERT.  
HORIZ.  
DATE

DRAWN BY  
CHECKED BY