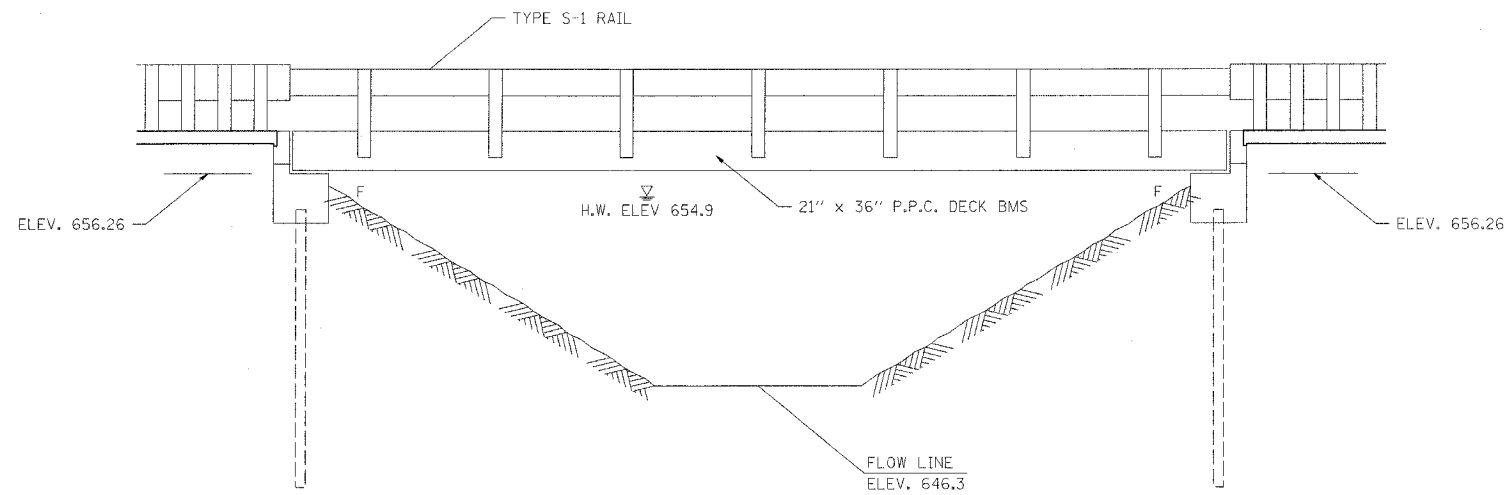


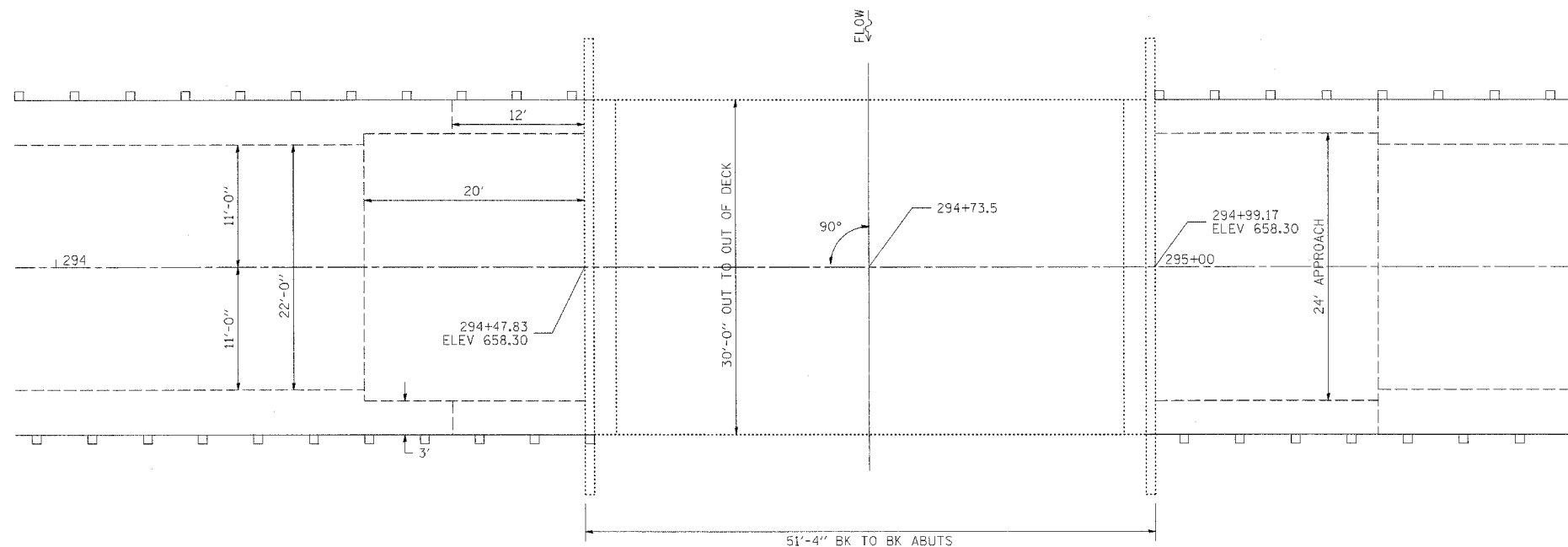
F.A.S. RTE.	SECTION	COUNTY	TOTAL SHEETS	SHEET NO.
1669		COLES	17	15
STA.		TO STA.		
FED. ROAD DIST. NO.		ILLINOIS FED. AID PROJECT		



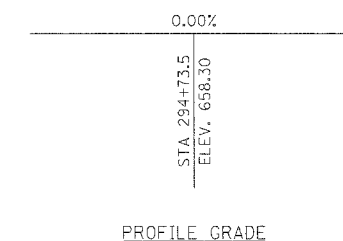
ELEVATION

BILL OF MATERIALS

ITEM	UNIT	QUANTITY
Hot-Mix Asphalt Surface Removal	SQ YD	171
Waterproofing Membrane System	SQ YD	171
Hot-Mix Asphalt Surface Course, Mixture C, N70	TON	23
Keyway Repair	FOOT	180
Portland Cement Mortar Fairing Course	FOOT	180
Bearing Pad Adjustment	EACH	20



PLAN



REVISIONS	
NAME	DATE

ILLINOIS DEPARTMENT OF TRANSPORTATION

**GENERAL PLAN
& ELEVATION
S.N. 015-0070**

SCALE: VERT.
HORIZ.
DATE

DRAWN BY
CHECKED BY