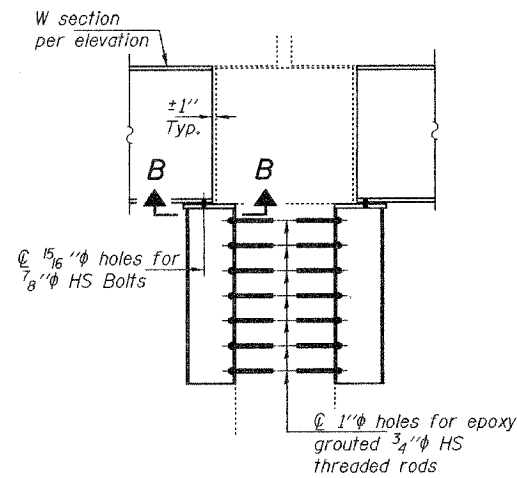


STATE OF ILLINOIS
DEPARTMENT OF TRANSPORTATION

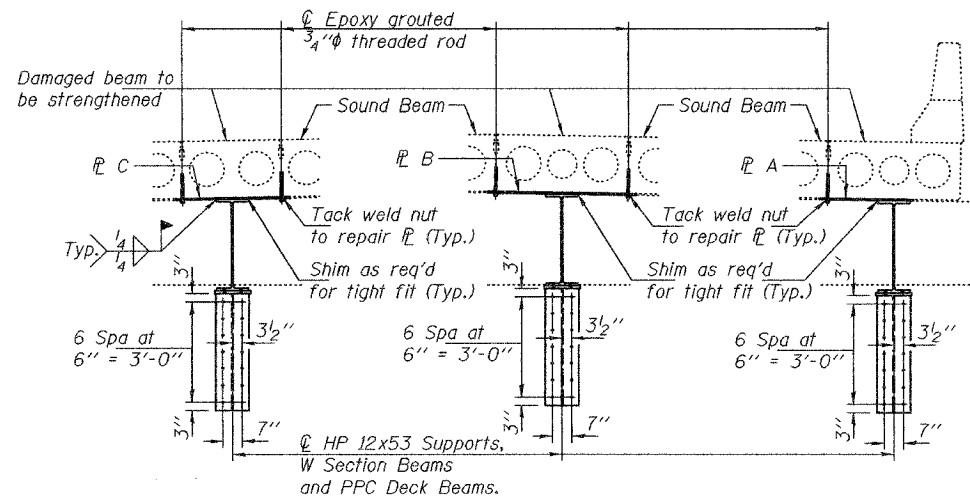
ROUTE NO.	SECTION	COUNTY	SHEET NO.	SHEET
FA 752		Fayette	5	5
FED. ROAD DIST. NO. 7				
ILLINOIS				
FED. AID PROJECT-				

Contract Number: 74283

SHEET NO. 2
2 SHEETS



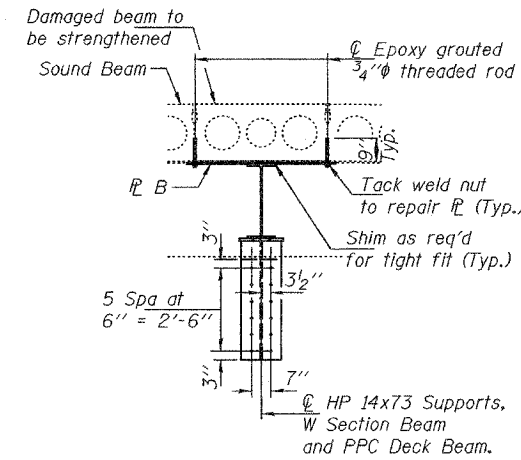
SECTION A-A



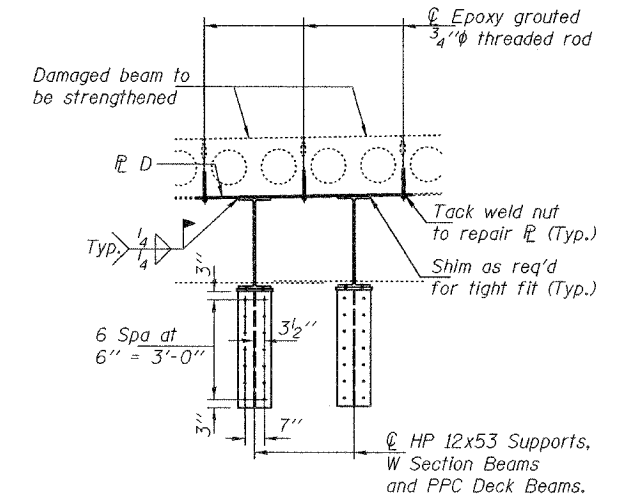
SECTION C-C

SECTION D-D

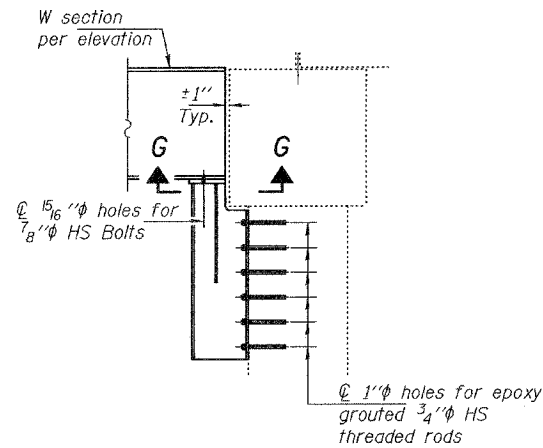
SECTION E-E



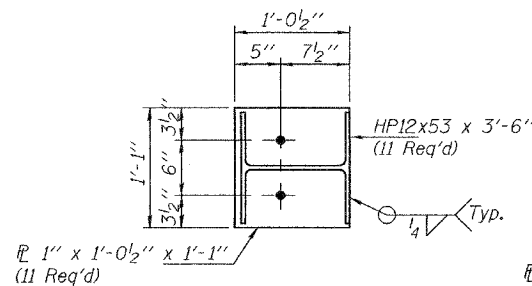
SECTION F-F



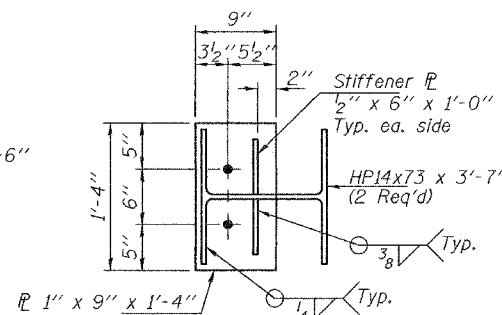
SECTION I-I



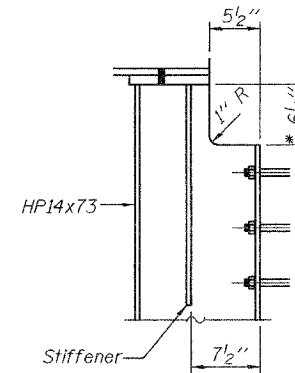
SECTION H-H



SECTION B-B

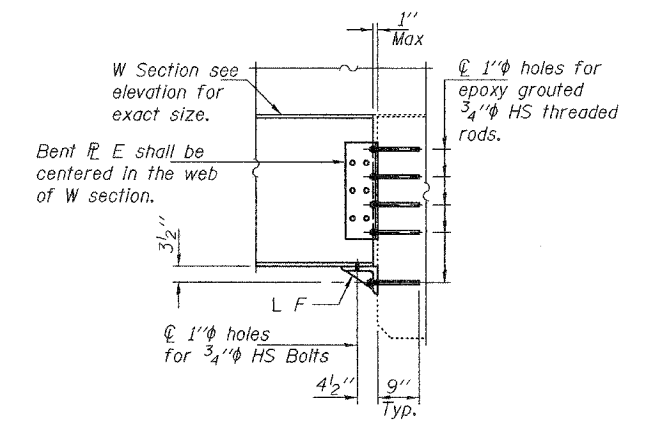


SECTION G-G

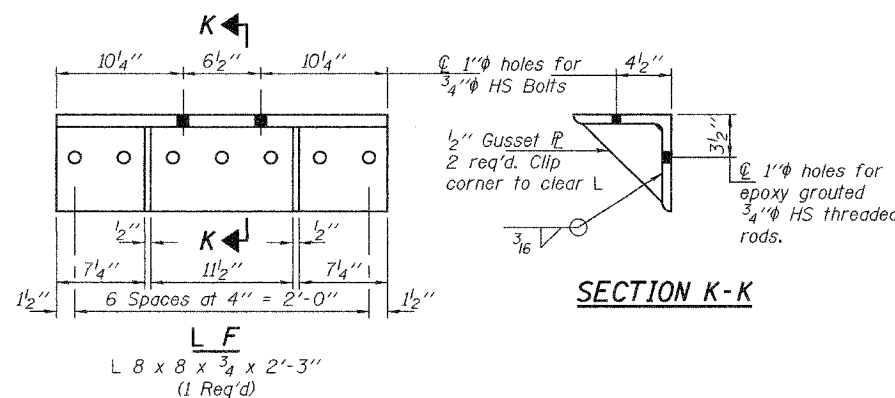


NOTCH AND STIFFENER DETAIL

* This dimension can be reduced if existing field conditions allow it.



SECTION J-J



SECTION K-K

DESIGNED	VHV
CHECKED	AJB
DRAWN	baliva
CHECKED	VHV AJB

OCTOBER 9, 2007

EXAMINED *Carl P. ...*
ENGINEER OF STRUCTURAL SERVICES

PASSED *Ralph E. Anderson*
ENGINEER OF BRIDGES AND STRUCTURES

REPAIR DETAILS
FA 752
FAYETTE COUNTY
SN 026-0059