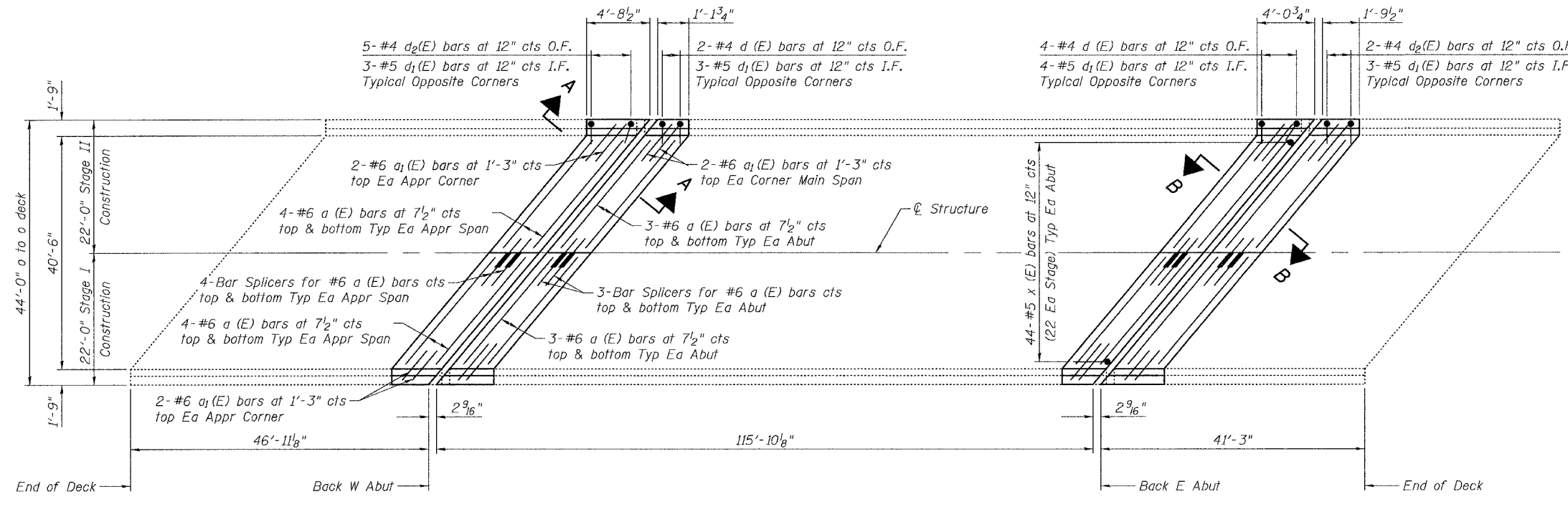
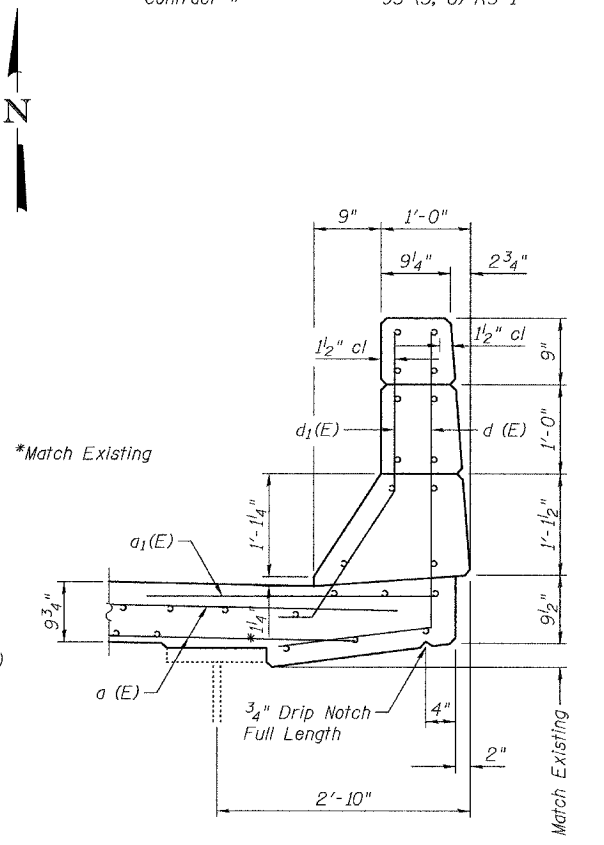


ROUTE NO.	SECTION	COUNTY	TOTAL SHEETS	SHEET NO.	SHEET NO. 3 10 SHEETS
FAI 64	#	Washington	83	60	
FED. ROAD DIST. NO. 7		ILLINOIS	FED. AID PROJECT-		Contract # *95-(5, 6) RS-1

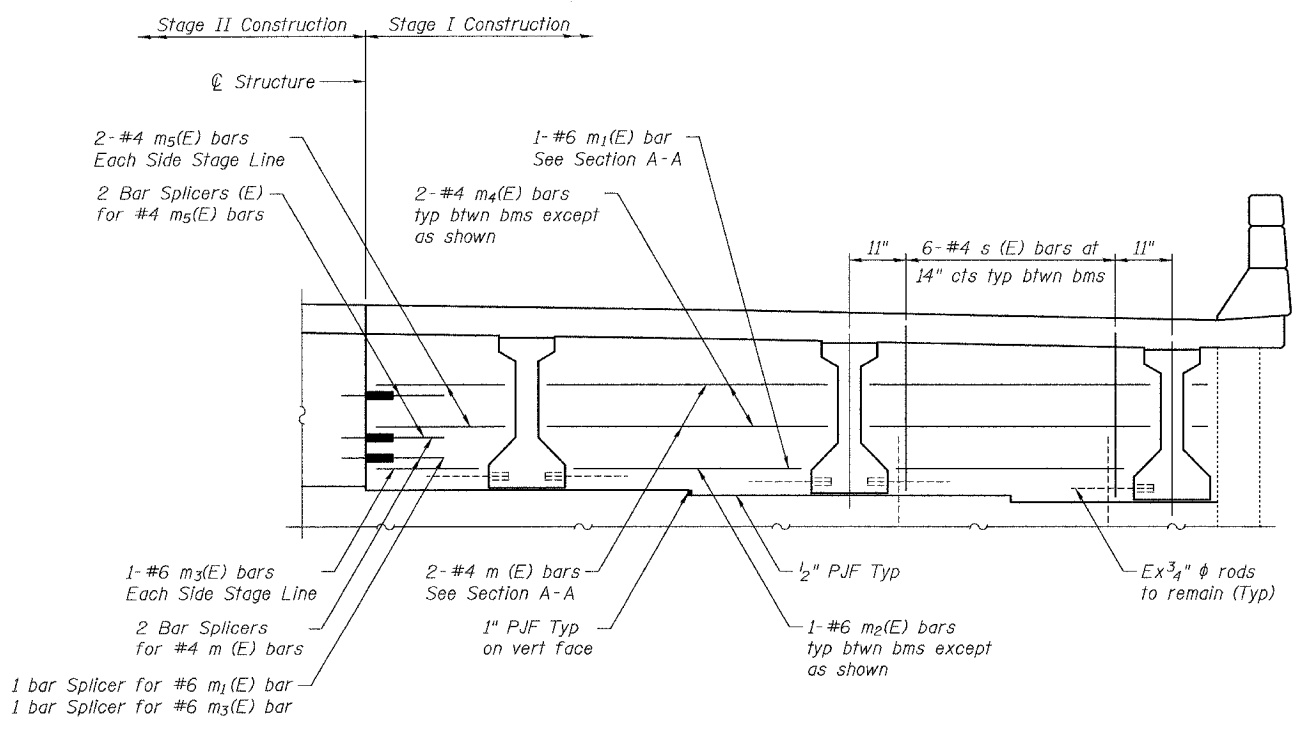


PLAN
(WB Staging Shown, EB Staging Opposite)

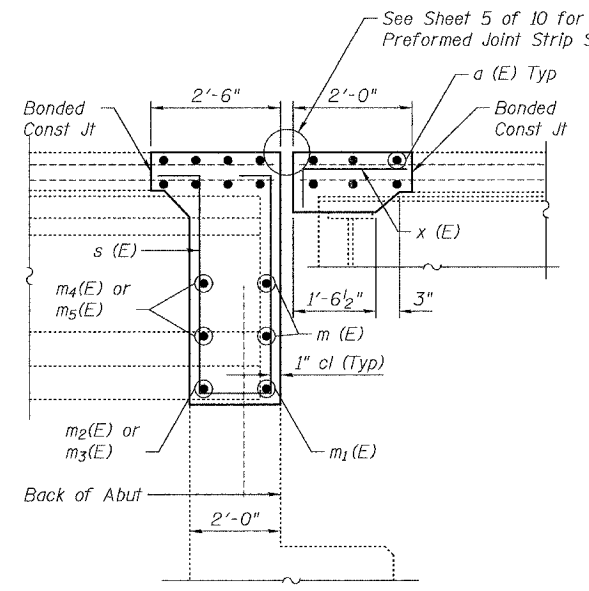


DETAIL A
(Curb on Approach Span)

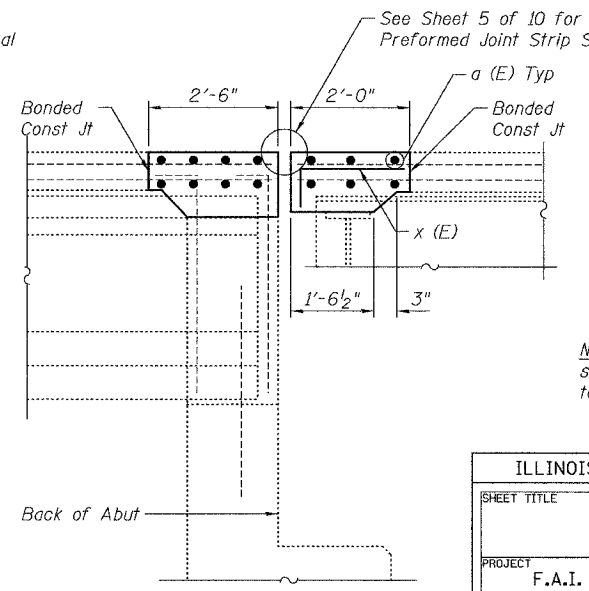
CURB SECTION MAIN SPAN
(Approach Span Similar Except as Shown in Detail A)



DIAPHRAGM AT WEST ABUTMENT
(Looking East - Wb Bridge, Looking West - EB Bridge)



SECTION A-A
(Dim at right angles)



SECTION B-B
(Dim at right angles)

Notes:
s (E) bars shall be placed parallel to the centerline of the beams

ILLINOIS DEPARTMENT OF TRANSPORTATION		
SHEET TITLE SUPERSTRUCTURE DETAILS		
PROJECT F.A.I. 64 OVER US ROUTE 51 SECTION 95-(5, 6) RS-1 WASHINGTON COUNTY STATION 3283+58.83 SN 095-0063 (E.B.) & 095-0064 (W.B.)	PROJECT NO. 06001-6	DATE 8/21/07
DESIGNED BY CFC	CHECKED BY MCB	DRAWING NO. 3
COOMBE-BLOXDORF P.C. Engineers / Land Surveyors Springfield, Illinois Design Firm License No. 184-002703		OF 10 SHTS

PLOT DATE = 08/21/2007
PLOT SCALE = 1/8\"/>