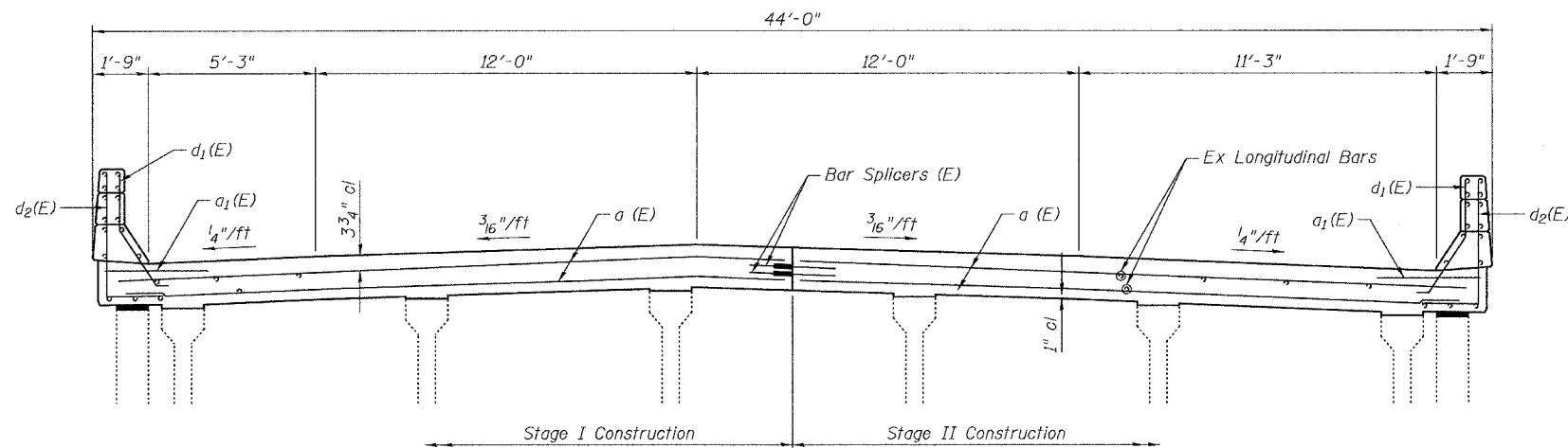


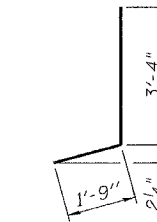
CROSS SECTION CENTER SPAN

(Looking West - WB Bridge, Looking East - EB Bridge)

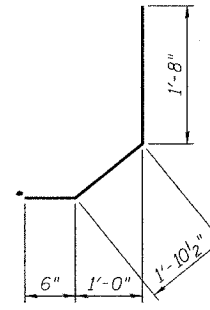


CROSS SECTION APPROACH SPAN

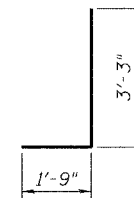
(Looking West - WB Bridge, Looking East - EB Bridge)



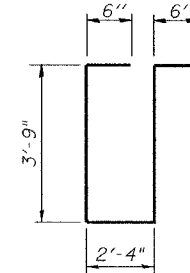
BAR d (E)



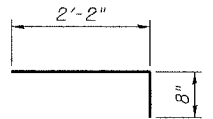
BAR d1 (E)



BAR d2 (E)



BAR s (E)

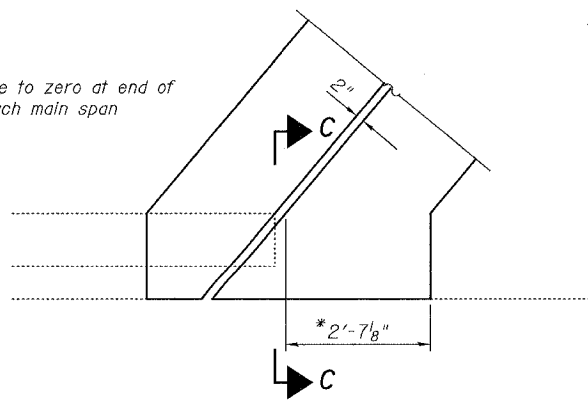


BAR x (E)

**BILL OF MATERIAL
TWO STRUCTURES**

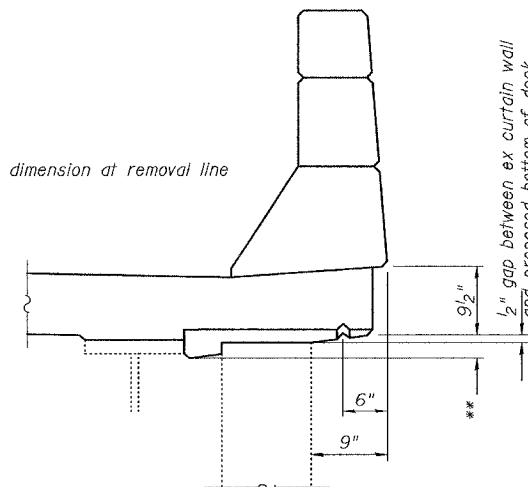
Bar	No.	Size	Length	Shape
a(E)	112	#6	26'-3"	—
a1(E)	32	#6	4'-0"	—
d(E)	24	#4	5'-1"	J
d1(E)	52	#5	4'-1"	J
d2(E)	28	#4	5'-0"	J
m(E)	8	#4	25'-9"	—
m1(E)	4	#6	25'-9"	—
m2(E)	8	#6	7'-1"	—
m3(E)	4	#6	3'-4"	—
m4(E)	16	#4	8'-10"	—
m5(E)	8	#4	4'-3"	—
s(E)	60	#4	10'-10"	L
x(E)	176	#5	2'-10"	L
Reinforcement Bars, Epoxy Coated			Pound	6470
Concrete Superstructure			Cu. Yd.	68.7
Bar Splicers			Each	68

*Taper slope of watertable to zero at end of deck SW & NW Corners each main span
See Section C-C



DETAIL A

**Match existing dimension at removal line



SECTION C-C

PLOT DATE = 08/21/2007
FILE NAME = \\B04-esp\structure-details-2.dgn
SCALE = 1/8"=1'-0"
USER NAME = TFC

ILLINOIS DEPARTMENT OF TRANSPORTATION	
SHEET TITLE SUPERSTRUCTURE DETAILS	
PROJECT F.A.I. 64 OVER US ROUTE 51 SECTION 95-(5, 6) RS-1 WASHINGTON COUNTY STATION 3283+58.83 SN 095-0063 (E.B.) & 095-0064 (W.B.)	PROJECT NO. 06001-6 SCALE DATE 8/21/07 DRAWN BY CFC CHECKED BY MCB DRAWING NO.
COOMBE-BLOXDORF P.C. Engineers / Land Surveyors Springfield, Illinois Design Firm License No. 184-002703	
4 OF 10 SHTS	