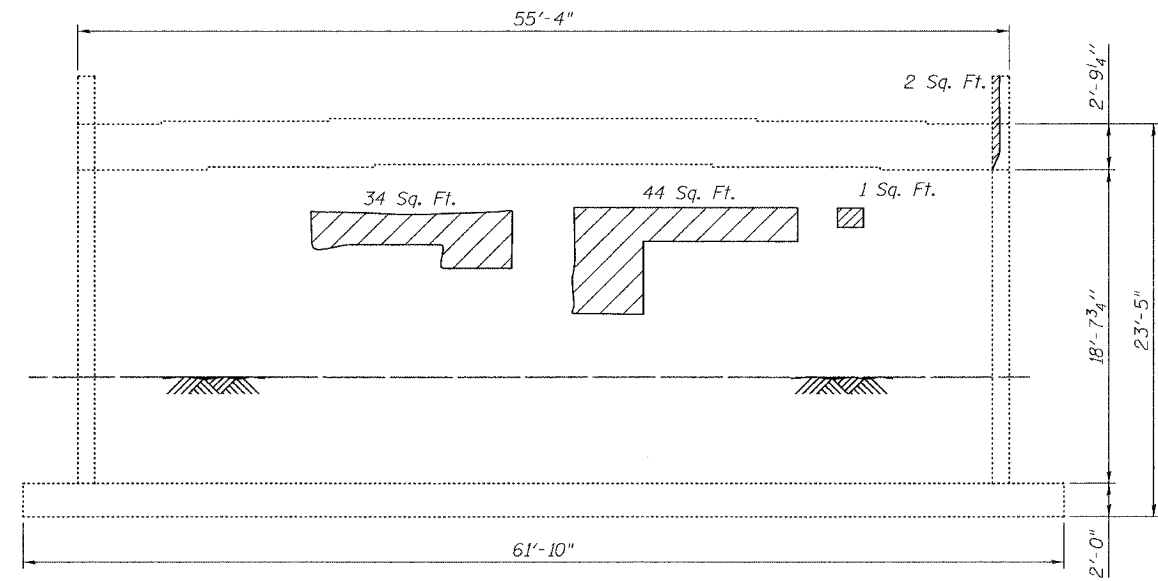
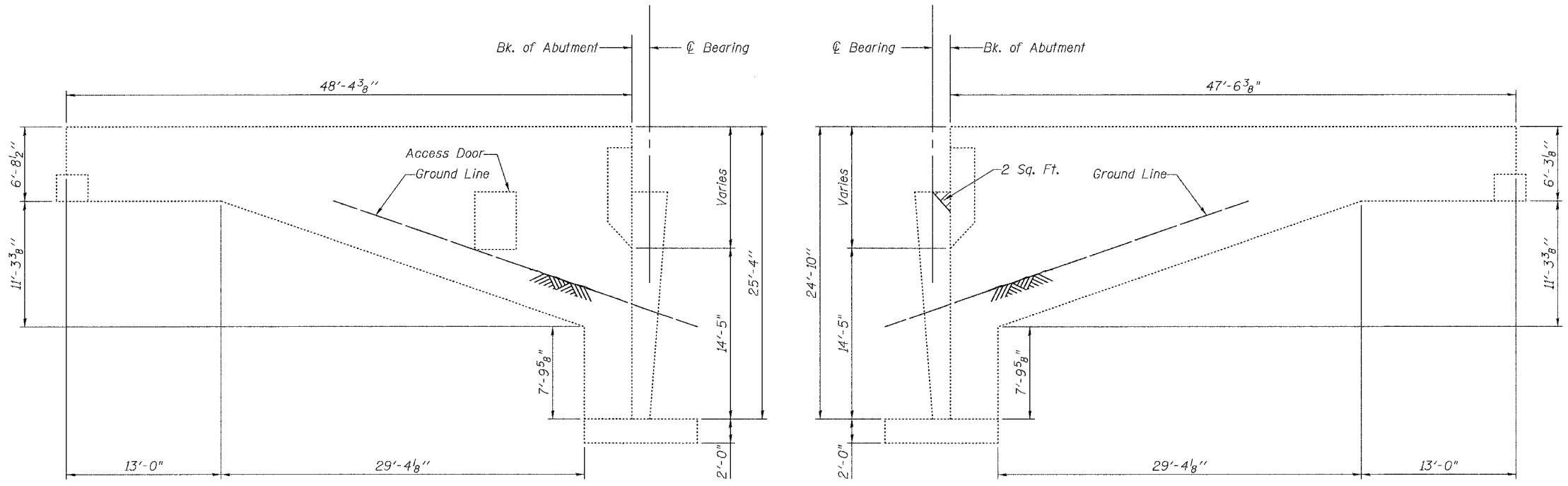


ROUTE NO.	SECTION	COUNTY	SHEET	SHEET NO.
FAI 64	#	Washington	83 64	7
FED. ROAD DIST. NO. 7				10 SHEETS
ILLINOIS		FED. AID PROJECT		
Contract #		*95-(5, 6) RS-1		



WEST ABUTMENT
(Facing West)



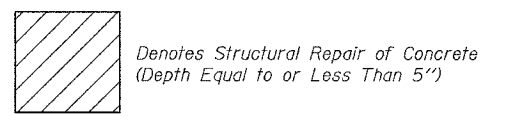
SOUTH CURTAIN WALL ELEVATION
(Facing North)

NORTH CURTAIN WALL ELEVATION
(Facing South)

BILL OF MATERIAL

Structural Repair of Concrete (Depth Equal to or Less Than 5")	Sq. Ft.	83
---	---------	----

LEGEND



ILLINOIS DEPARTMENT OF TRANSPORTATION	
SHEET TITLE REPAIRS WEST ABUTMENT WB	
PROJECT FAI RTE 64 OVER US RTE 51 FAI RTE 64 SECTION 95-(5,6)RS-1 WASHINGTON COUNTY STATION 3283+58.83 SN 095-0063 (EB) & 095-0064 (WB)	PROJECT NO. 06001-6 SCALE DATE 8/21/07 DRAWN BY TFG CHECKED BY KPS/BD/MCB DRAWING NO.
COOMBE-BLOXDORF P.C. Engineers / Land Surveyors Springfield, Illinois Design Firm License No. 184-002703	7 OF 10 SHTS

PLOT DATE = 08/21/2007
PLOT SCALE = 1/4" = 1'-0"
USER NAME = TFG