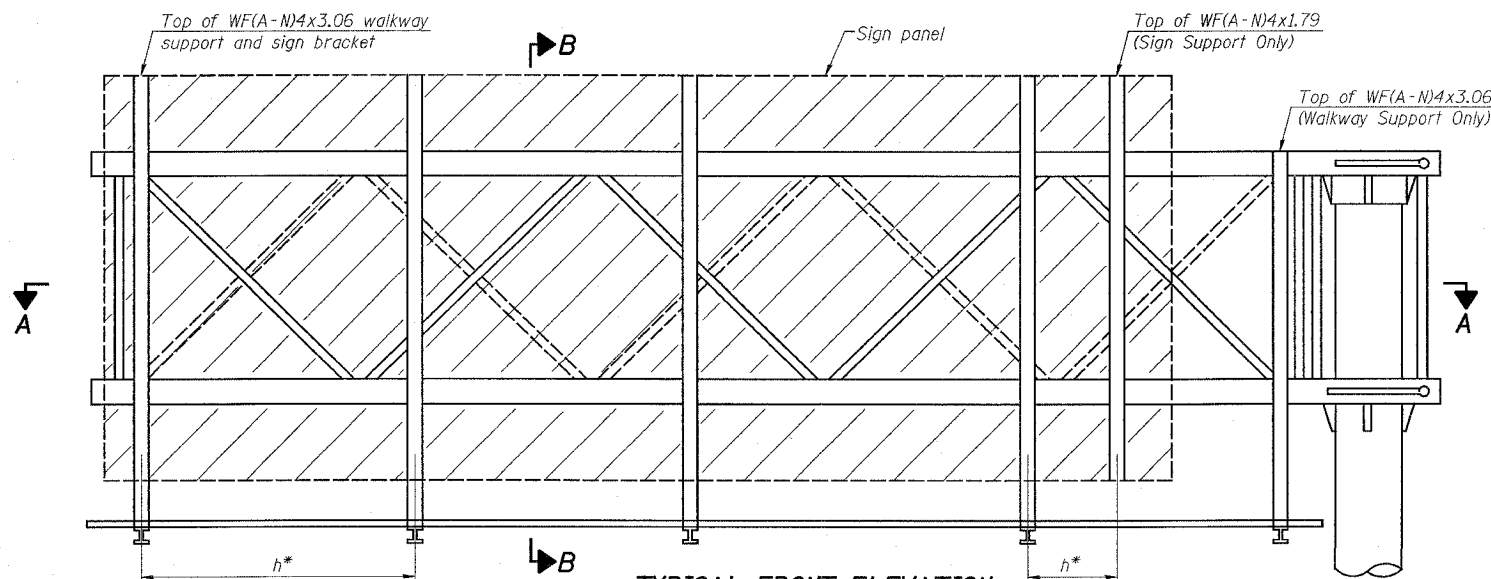
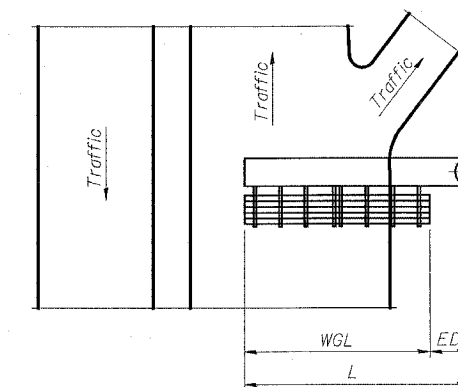


F.A.I. RYE.	SECTION	COUNTY	TOTAL SHEETS	SHEET NO.
64	95-(5,6)RS-1	WASHINGTON	83	75
STA.		TO STA.		
FED. ROAD DIST. NO.		ILLINOIS FED. AID PROJECT		

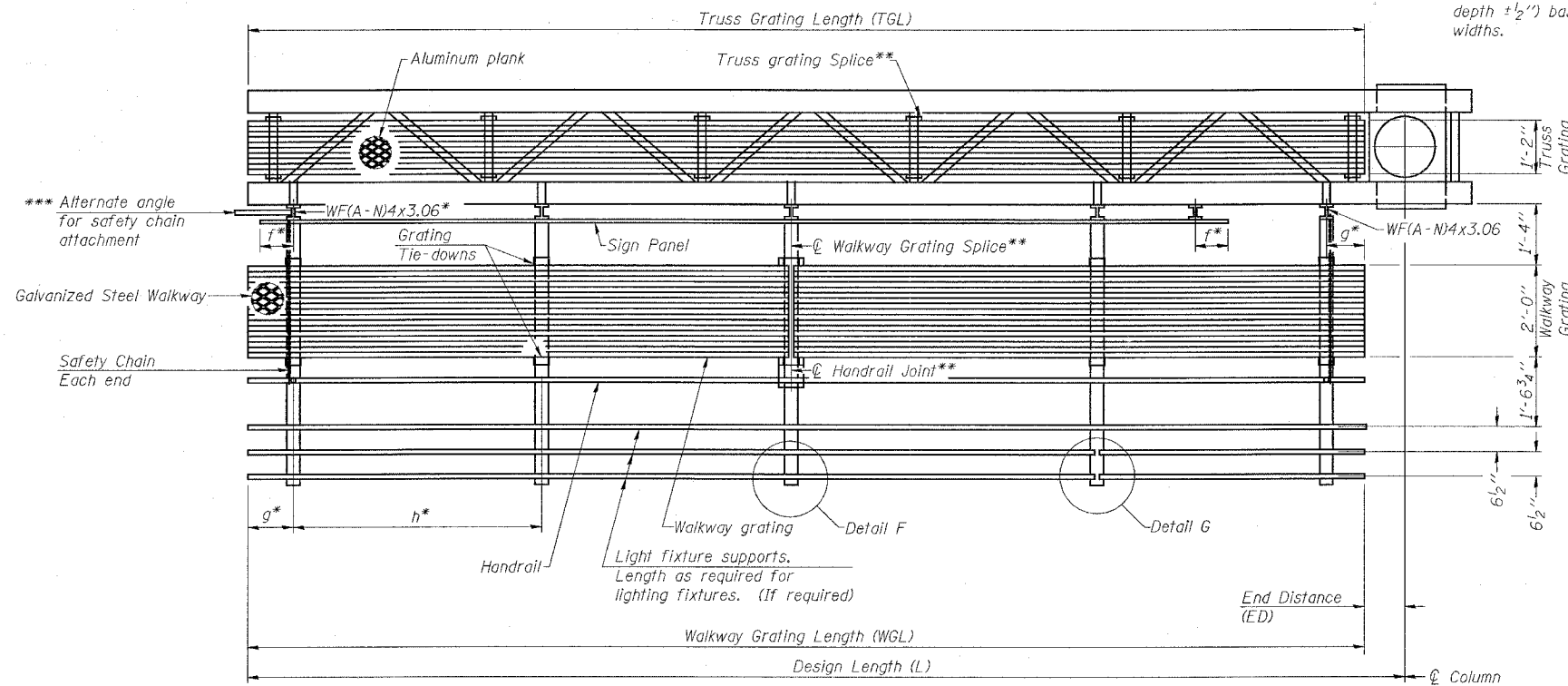


**TYPICAL FRONT ELEVATION**  
With lights and handrail omitted for clarity.



**PLAN WALKWAY AND HANDRAIL SKETCH**  
(Road plan beneath truss varies)

Walkway and truss grating dimensions are nominal and may vary (width ±1/2", depth ±1/2") based on available standard widths.



**SECTION A-A**

Truss grating to facilitate inspection shall run full length of cantilevers. Cost of truss grating is included in Overhead Sign Structure Cantilever.

Handrail and walkway grating shall span a minimum of three brackets between splices. \*\* Use and location of handrail joints or grating splices are optional, based on lengths needed and material availability.

$$TGL = L - \left( \frac{\text{Post O.D.}}{2} + 6'' \right)$$

NUMBER	REVISION	DATE

Structure Number	Station	WGL	ED	TGL
8C0951064R060.6	3267+10	20'-0"	12'-0"	30'-6"

**Notes:**

- Space walkway brackets WF(A-N)4x3.06 and sign brackets WF(A-N)4x1.79 for efficiency and within limits shown:
- f = 12" maximum, 4" minimum (End of sign to center of nearest bracket)
- g = 12" maximum, 4" minimum (End of walkway to center of nearest bracket)
- h = 6'-0" maximum (center to center sign and/or walkway support brackets, WF(A-N)4x1.79 or WF(A-N)4x3.06)
- \*\*\* If walkway bracket at safety chain location is behind sign, add angle to bracket. See alternate safety chain attachment on base sheet OSC-A-B.
- For details of sign placement, sign/walkway brackets, truss and walkway gratings, grating splices and Section B-B, see Base Sheet OSC-A-7S.
- For details of handrail, handrail joint, safety chain and Details F and G, see Base Sheet OSC-A-8.

**BRACKET TABLE**

Sign Width		Number Brackets Required
Greater Than	Less Than or Equal To	
8'-0"	8'-0"	2
14'-0"	14'-0"	3
20'-0"	20'-0"	4
26'-0"	26'-0"	5
32'-0"	32'-0"	6

**CANTILEVER SIGN STRUCTURES  
ALTERNATE STEEL WALKWAY DETAILS  
ALUMINUM TRUSS & STEEL POST**

FAI ROUTE 64  
SECTION 95-(5,6)RS-1  
WASHINGTON COUNTY

PLOT DATE = 8/21/2007  
FILE NAME = c:\prow\proj\1287\plan\osc-a-6s.dgn  
PLOT SCALE = 1/8" = 1'-0"  
USER NAME = danielmyn