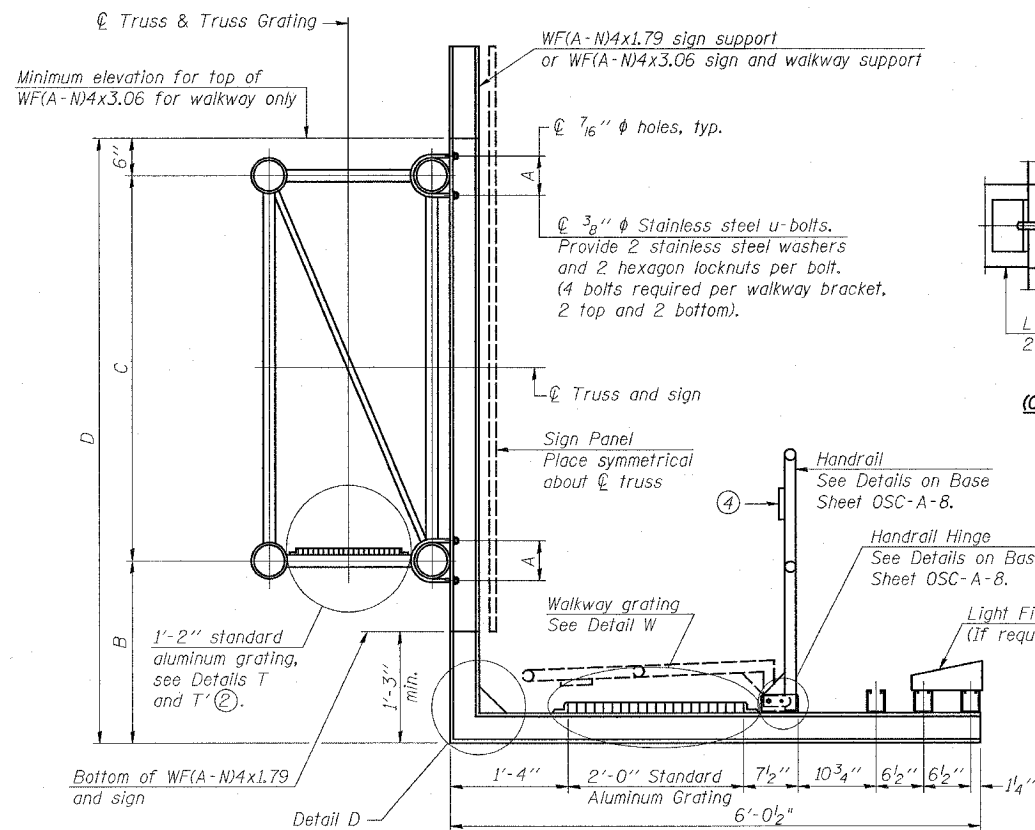
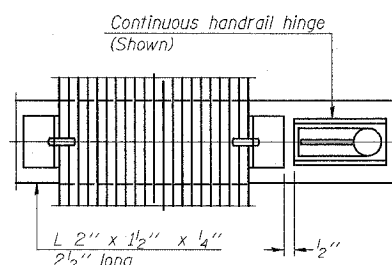


| SECTION   | COUNTY       | TOTAL SHEETS | SHEET NO. |
|---|--------------|--------------|-----------|
| 64  | 95-(5,6)RS-1 | WASHINGTON   | 83        |
| STA.  | TO STA.      |              |           |
| FED. ROAD DIST. NO. - ILLINOIS FED. AID PROJECT |              |              |           |



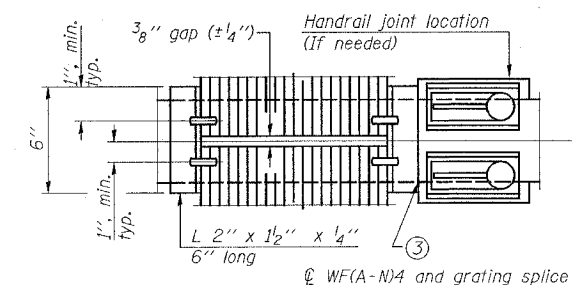
**SECTION B-B**

Sign shall be even with the top of the bracket, but it may extend no more than 6" above the top of the bracket for field adjustments.

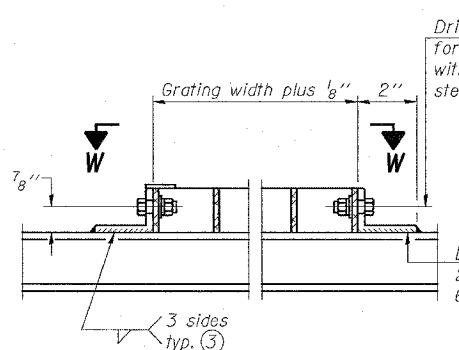


**(CONTINUOUS WALKWAY GRATING)**

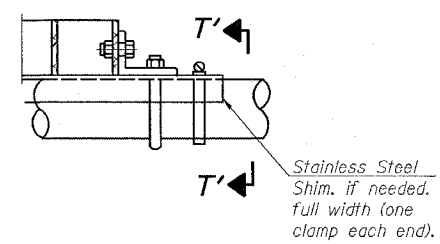
**SECTION W-W**



**(AT WALKWAY GRATING SPLICE)**

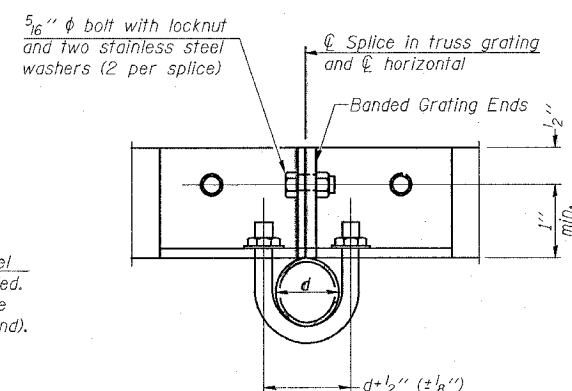


**DETAIL W**  
(Walkway grating)

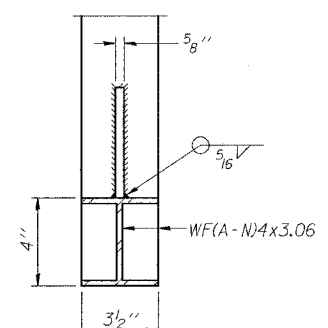


**DETAIL T'**

(Truss grating splice)  
Details not shown same as Detail T.  
Alternate materials may be used subject to the Engineer's review and approval.

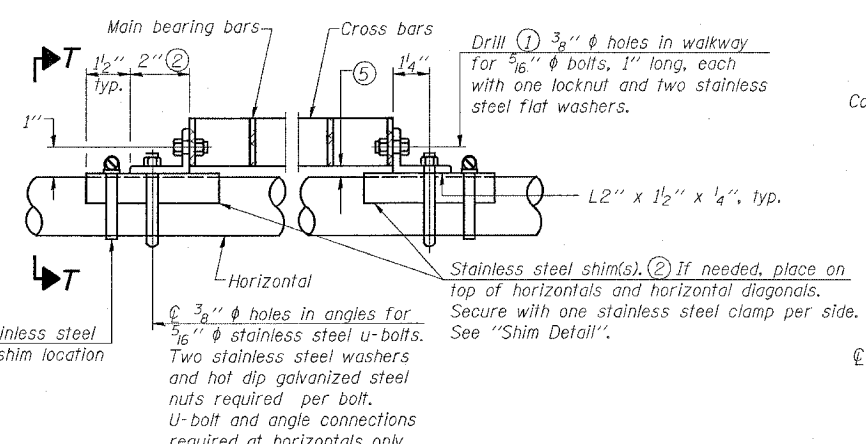


**SECTION T'-T'**



**SECTION D-D**

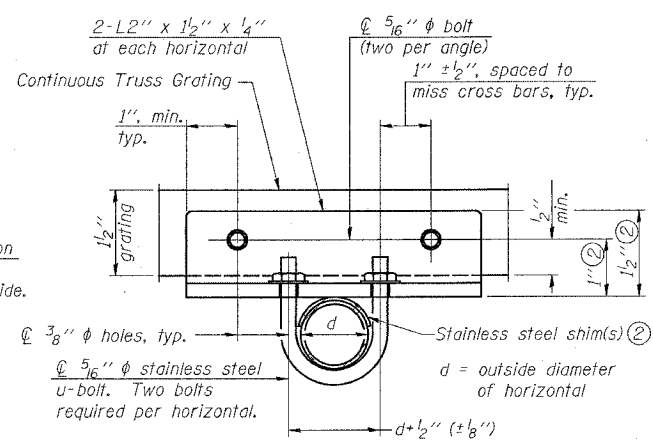
Screw type stainless steel tube clamp at shim location



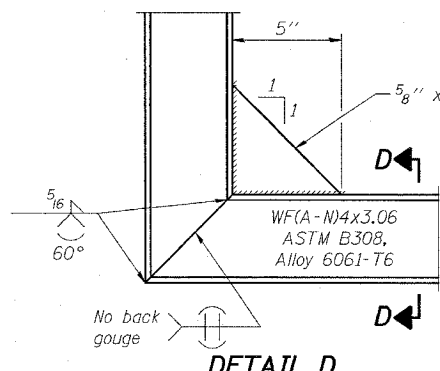
**DETAIL T**

(Continuous Truss grating)

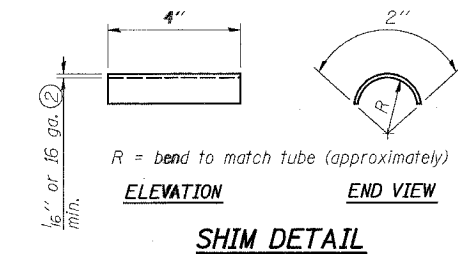
- Drilling holes in grating may be done in shop or field, based on Contractor's preference and subject to accurate alignment.
- Stainless steel shims shall be placed as shown in Detail T if needed to compensate for alignment variations between horizontal and diagonal pipes beyond adjustment provided by angles. Thicker shims may be used subject to shims performing properly.
- If Handrail Joint present, weld angle to WF(A-N)4 and 1/4" extension bars. (See Base Sheet OSC-A-8.)
- 1/8" x 1/2" x 2" welded to handrail posts to protect locations that contact grating.
- Tube to grating gap may vary from 0 to 1/2", max. to align walkway, allow for camber, etc.



**SECTION T-T**



**DETAIL D**



**SHIM DETAIL**

| NUMBER | REVISION | DATE |
|--------|----------|------|
|        |          |      |
|        |          |      |
|        |          |      |

| Structure Number | Station | A      | B     | C     | D      |
|------------------|---------|--------|-------|-------|--------|
| 8C0951064R060.6  | 3267+10 | 7 1/2" | 3'-6" | 7'-0" | 11'-0" |
|                  |         |        |       |       |        |
|                  |         |        |       |       |        |
|                  |         |        |       |       |        |
|                  |         |        |       |       |        |

**CANTILEVER SIGN STRUCTURES  
WALKWAY DETAILS  
ALUMINUM TRUSS & STEEL POST**

FAI ROUTE 64  
SECTION 95-(5,6)RS-1  
WASHINGTON COUNTY