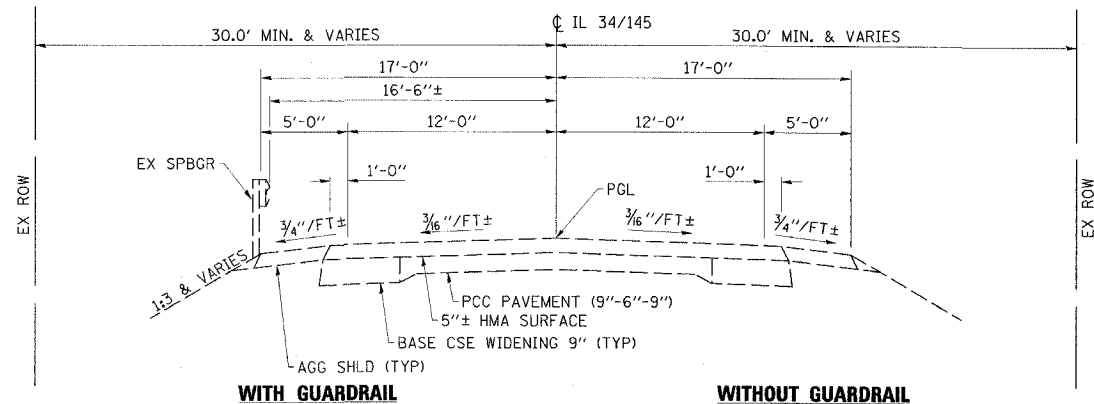


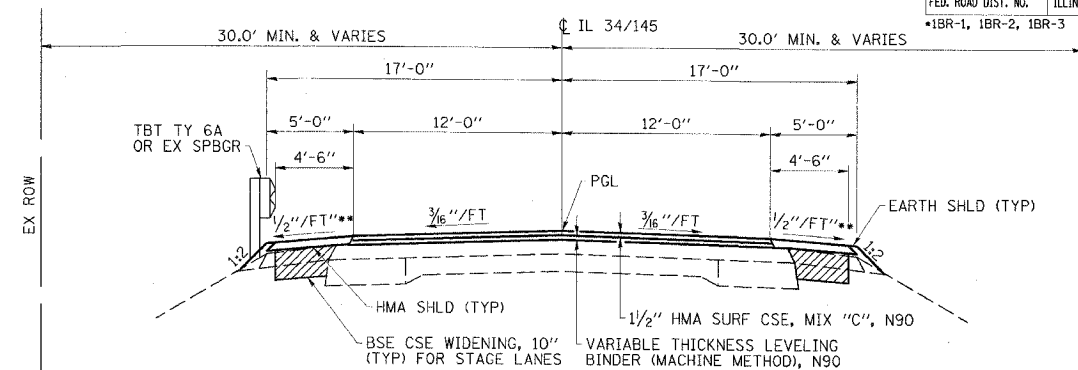


CONTRACT NO. 78010

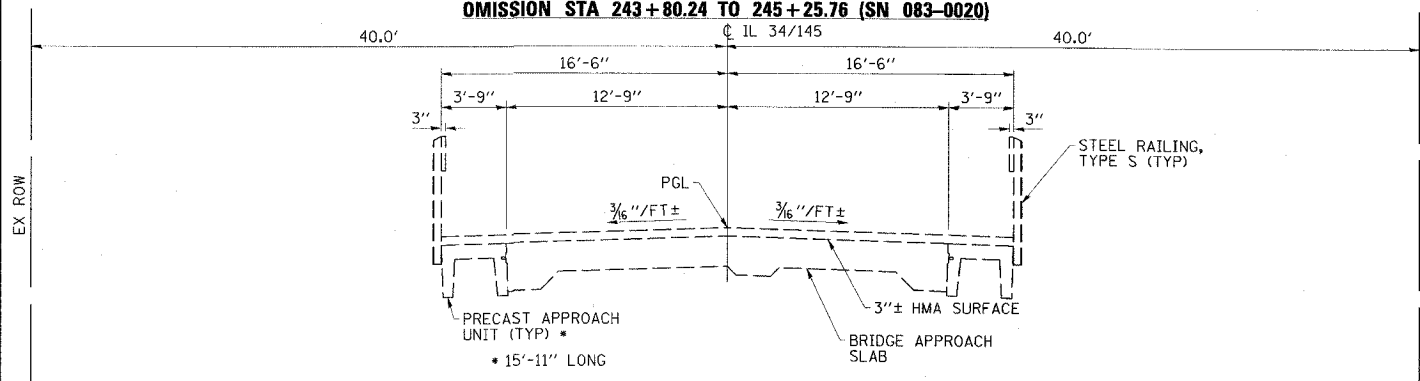
FAP RTE	SECTION	COUNTY	TOTAL SHEETS	SHEET NO.
132		SALINE	114	5
STA.	TO STA.			
FED. ROAD DIST. NO.	ILLINOIS FED. AID PROJECT AID			



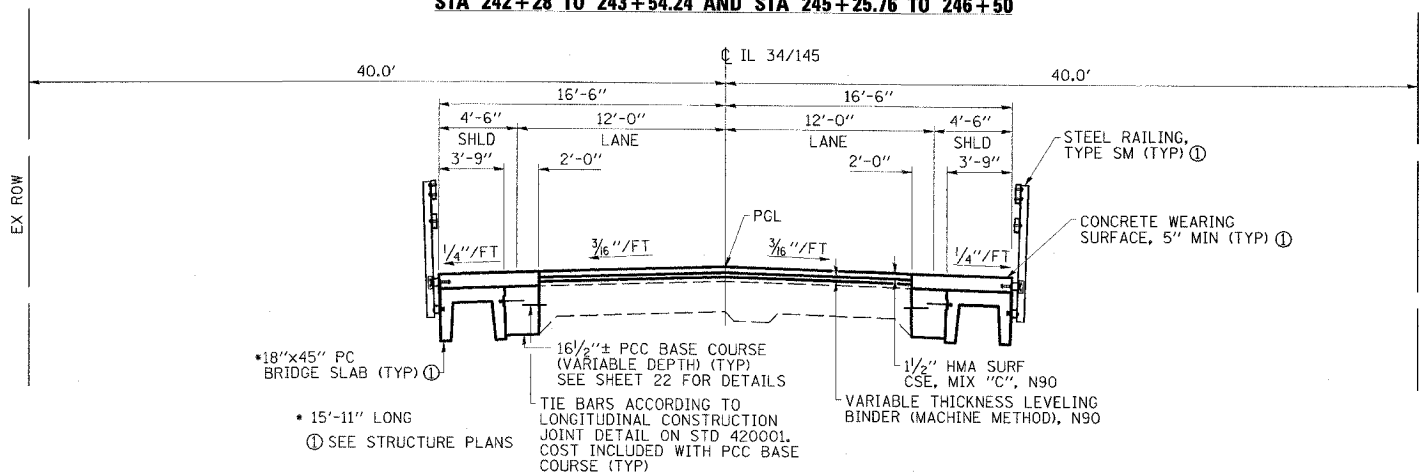
EXISTING TYPICAL ROADWAY SECTION
 STA 99+00 TO 105+00 AND STA 233+00 TO 253+00
 OMISSION STA 102+34.80 TO 102+64.25 (SN 083-0018)
 OMISSION STA 234+24.24 TO 235+95.76 (SN 083-0019)
 OMISSION STA 243+80.24 TO 245+25.76 (SN 083-0020)



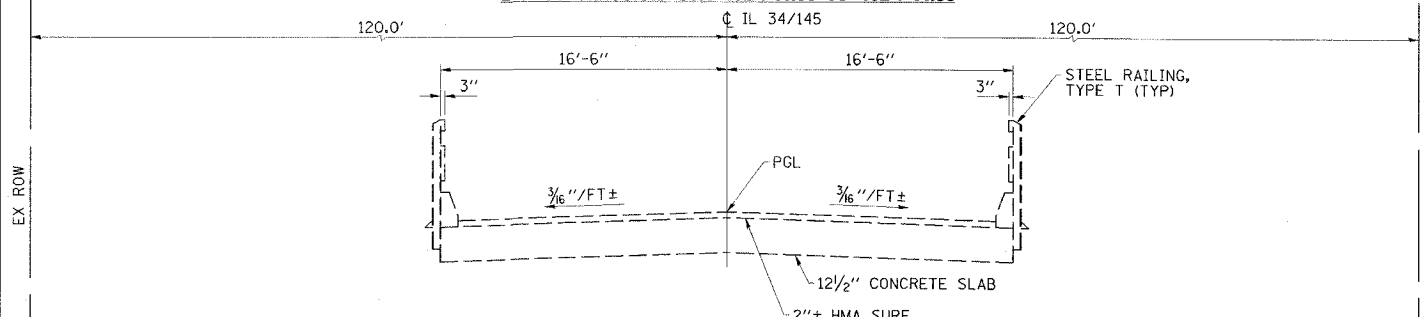
PROPOSED TYPICAL ROADWAY SECTION
 STA 101+55 TO 102+34.80 AND STA 102+64.25 TO 103+45
 STA 233+04 TO 234+24.24 AND STA 235+95.76 TO 237+20
 STA 242+28 TO 243+54.24 AND STA 245+25.76 TO 246+50



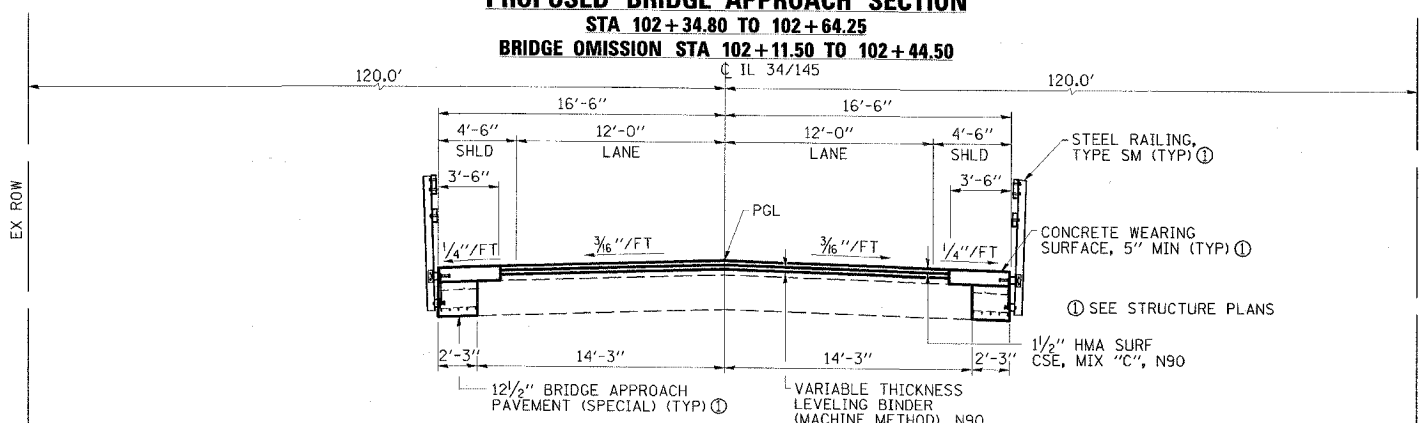
EXISTING BRIDGE APPROACH SECTION
 STA 102+34.80 BK TO 102+64.25
 BRIDGE OMISSION STA 102+11.50 TO 102+44.50



PROPOSED BRIDGE APPROACH SECTION
 STA 102+34.80 TO 102+64.25
 BRIDGE OMISSION STA 102+11.50 TO 102+44.50



EXISTING BRIDGE APPROACH SECTION
 STA 234+24.24 TO 235+95.76
 BRIDGE OMISSION STA 234+50.24 TO 235+69.76 (SN 083-0019)
 BRIDGE OMISSION STA 243+54.24 TO 245+25.76
 BRIDGE OMISSION STA 243+80.24 TO 244+99.76 (SN 083-0020)



PROPOSED BRIDGE APPROACH SECTION
 STA 234+24.24 TO 235+95.76
 BRIDGE OMISSION STA 234+50.24 TO 235+69.76 (SN 083-0019)
 BRIDGE OMISSION STA 243+54.24 TO 245+25.76
 BRIDGE OMISSION STA 243+80.24 TO 244+99.76 (SN 083-0020)

HMA MIXTURES REQUIREMENTS

LOCATION(S):	HOT MIX ASPHALT SURFACE COURSE AND LEVELING BINDER	BASE COURSE WIDENING	HOT MIX ASPHALT SHOULDERS
MIXTURE USE(S):	HOT MIX ASPHALT SURFACE COURSE, MIX C, N90	HOT MIX ASPHALT BINDER COURSE, N90, IL-19.0	HOT MIX ASPHALT SHOULDERS
AC/PG:	PG64-22	PG64-22	PG58-22
RAP % (MAX):	10	10	50
DESIGN AIR VOIDS:	4.0%, 90 GYRATION DESIGN	4.0%, 90 GYRATION DESIGN	2.0%, 30 GYRATION DESIGN
MIXTURE COMPOSITION: (GRADATION MIXTURE)	IL-9.5 mm OR IL 12.5 mm	IL-19.0 mm	HMA SHOULDERS
FRICTION AGGREGATE:	C SURFACE	NONE	NONE

*** IF RAP OPTION IS SELECTED, THE ASPHALT CEMENT GRADE MAY NEED TO BE ADJUSTED. THIS WILL BE DETERMINED BY THE ENGINEER.

ESCA
 CONSULTANTS, INC.

DESIGNED BY:	JMS	05/07
DRAWN BY:	HAS	05/07
CHECKED BY:	MTD	06/07
APPROVED BY:	RDP	06/07

TYPICAL SECTIONS
 FAP RTE 132 (IL 34/145)
 SECTION 1BR-1, 1BR-2, 1BR-3
 SALINE COUNTY