

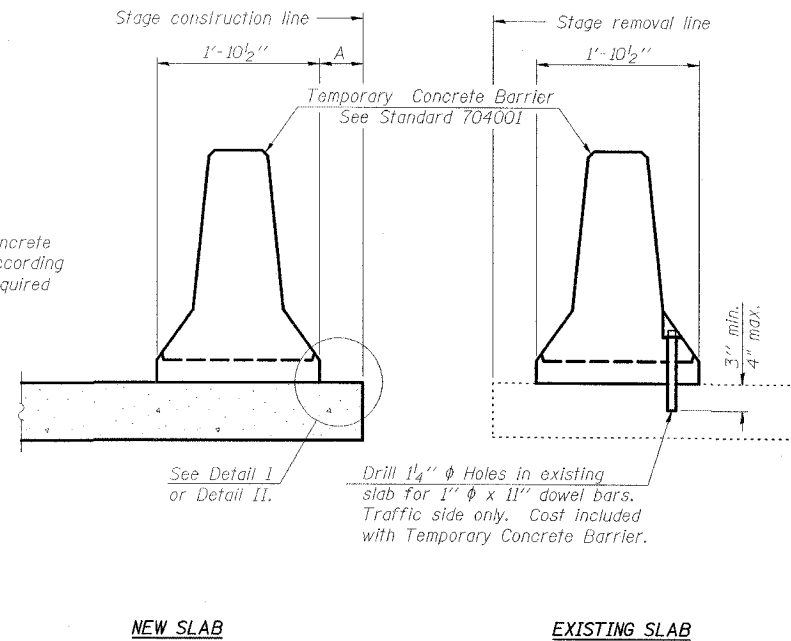
STATE OF ILLINOIS
DEPARTMENT OF TRANSPORTATION

ROUTE NO.	SECTION	COUNTY	TOTAL SHEETS	SHEET NO.
FAP 132	IBR-1	SALINE	114	26
FED. ROAD DIST. NO.		ILLINOIS	FED. AID PROJECT	

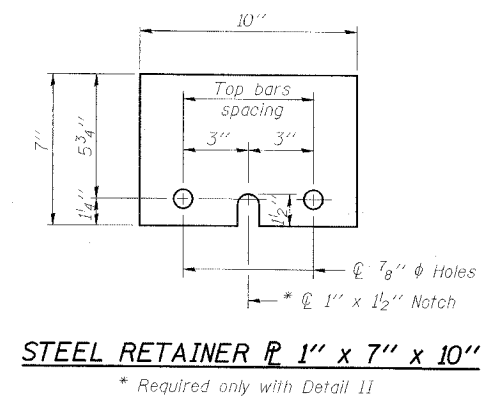
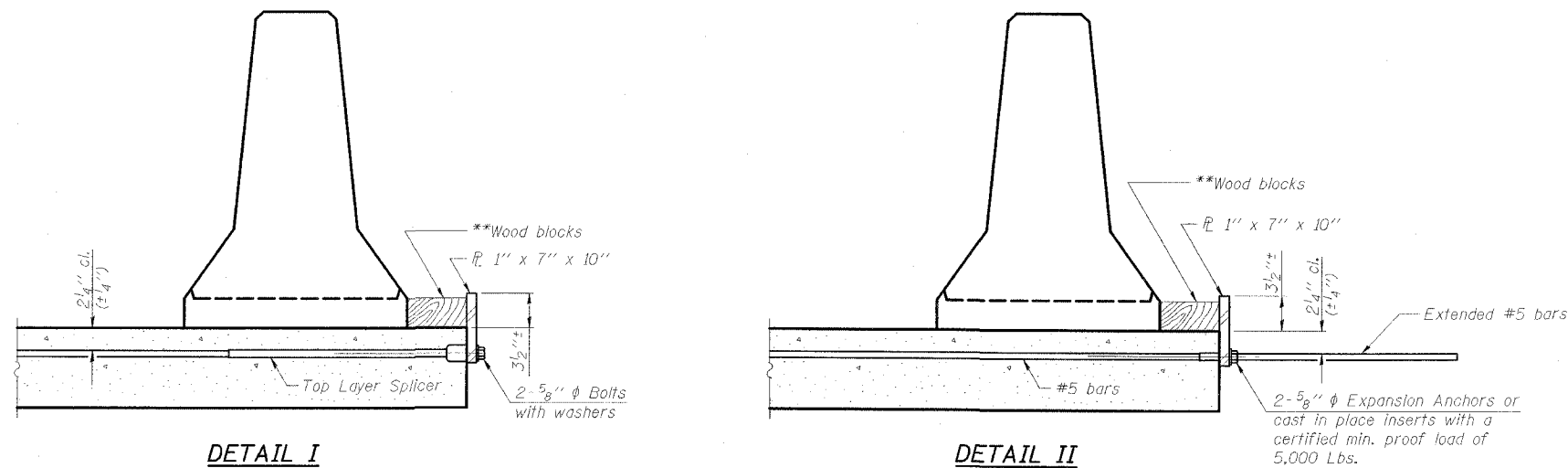
SHEET NO. 4
13 SHEETS

78010

When "A" is 3'-6" or less, the temporary concrete barrier shall be anchored to the new slab according to Detail I or Detail II. No anchorage is required when "A" is greater than 3'-6".



SECTIONS THRU SLAB



** Wood blocks may be omitted when required to provide minimum stage traffic lane width. When the wood blocks are omitted, the concrete barrier shall be in direct contact with the steel retainer plate.

ESCA
CONSULTANTS, INC.

DESIGNED BY:	JMS	05/07
DRAWN BY:	HAS	05/07
CHECKED BY:	MTD	06/07
APPROVED BY:	RDP	06/07

R-27

11-1-06

**TEMPORARY CONCRETE BARRIER
FOR STAGE CONSTRUCTION
IL 34/145 OVER BRIER CREEK
FAP ROUTE 132 - SECTION IBR-1
SALINE COUNTY
STATION 102+28.00
STRUCTURE NO. 083-0018**