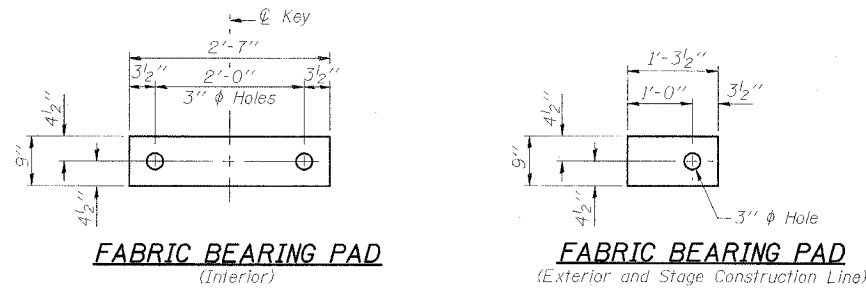


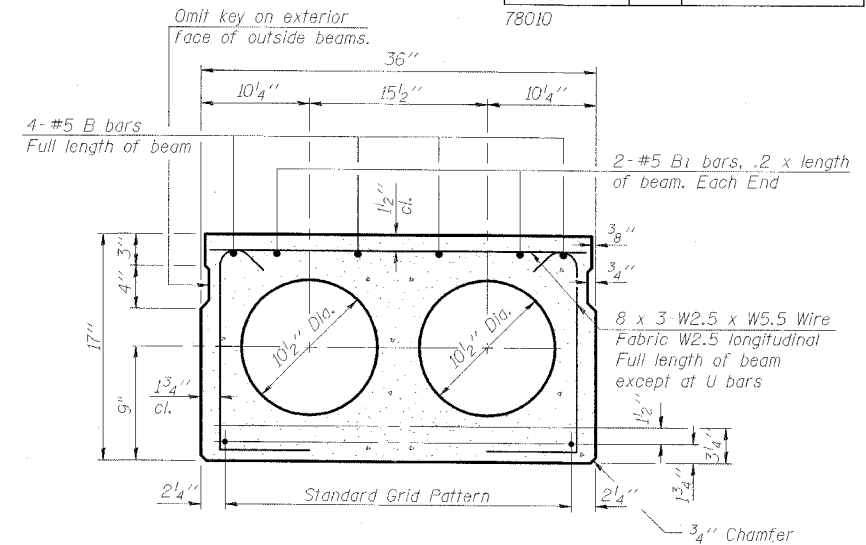
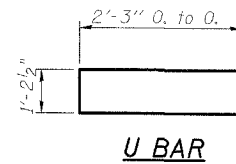
STATE OF ILLINOIS
DEPARTMENT OF TRANSPORTATION

ROUTE NO.	SECTION	COUNTY	SHEET	SHEET NO.
FAP 132	IBR-1	SALINE	114	28
FED. ROAD DIST. NO.		ILLINOIS	FED. AID PROJECT	
78010				

SHEET NO. 6
13 SHEETS

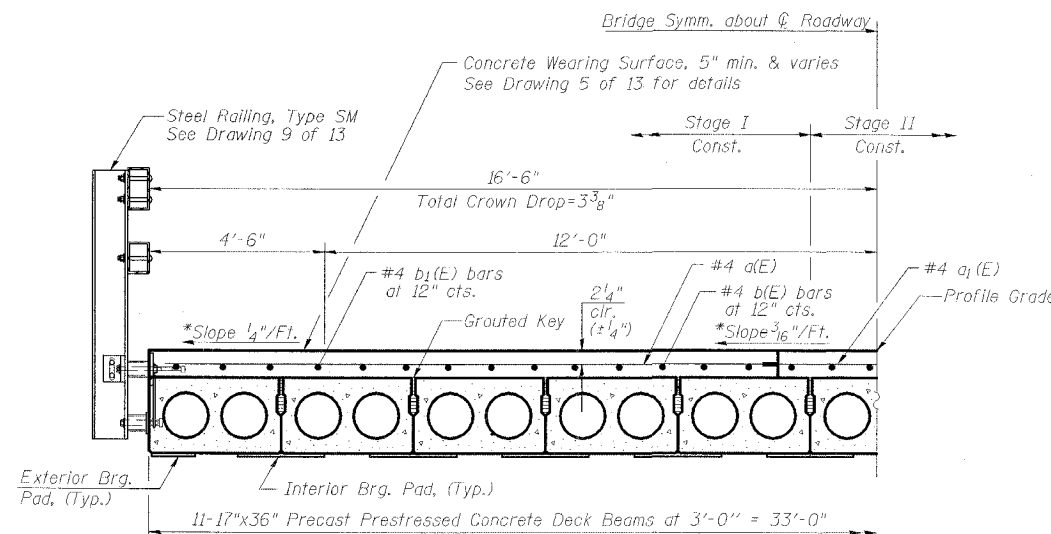
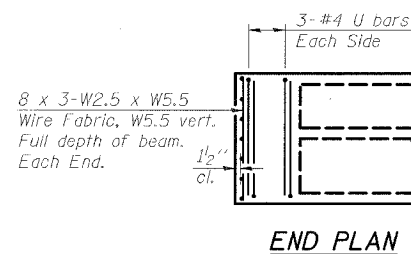
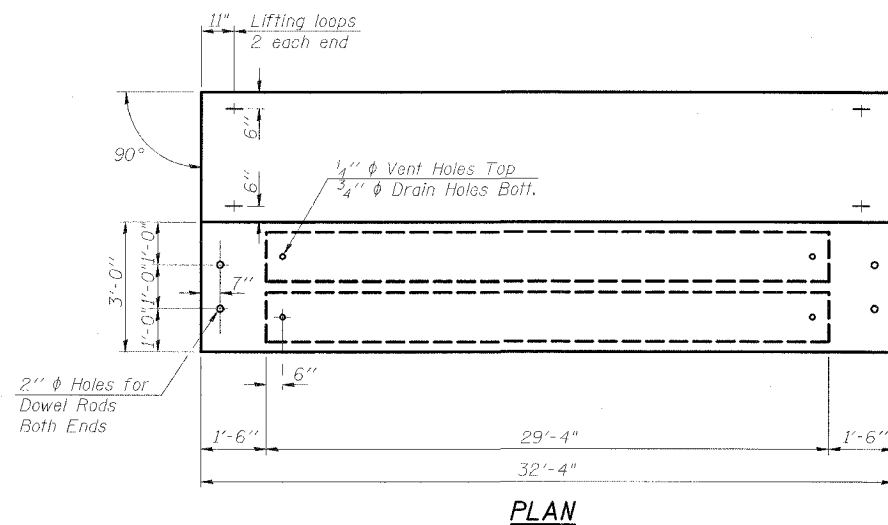


FIXED



9-1/2" ϕ Strands, Each Strand Stressed to 30,900 Lbs.
5-Strands 1 3/4" up, 4-strands 3/4" up

- Notes:
- Place strands symmetrically about ϕ of beam.
 - See Dwg. 8 of 13 for add'l. details applicable to fascia beams.



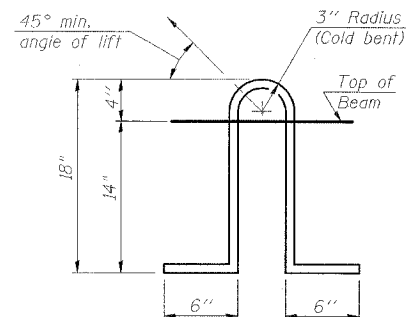
* Cross slopes shown are applicable to Concrete Wearing Surface.

NOTES

Prestressing steel shall be uncoated high strength, low relaxation 7-wire strand, Grade 270. The nominal diameter shall be 1/2" and the nominal cross-sectional area shall be 0.153 sq. in. Lifting loops shall be 2-1/2" ϕ -270 ksi strands, as shown. Non prestressing steel shall conform to ASTM A 706 (IL MOD), Grade 60. The bearing seat surfaces shall be adjusted by shimming to assure firm and even bearing. Two 1/8" fabric adjusting shims of the dimensions of the Exterior Bearing Pad shall be provided for each bearing. Keyway surfaces shall be cleaned to remove form oil or other bond breaking material prior to shipment of the beams. Cleaning shall be done by sandblasting the keyway areas between top of the beam and the bottom edge of the key. Corrosion Inhibitor, per Article 1020.05(b)(12) of the Standard Specifications, shall be used in the concrete for precast prestressed concrete deck beams. Required Release Strength, f'cl, shall be 4000 p.s.i. See Dwg. No. 2 of 13 for location of rail anchors and additional notes.

BILL OF MATERIAL

Item	Unit	Quantity
Precast Prestressed Conc. Deck Bms. (17")	Sq. Ft.	1067



LIFTING LOOP DETAIL

ESCA CONSULTANTS, INC.

DESIGNED BY:	JMS	05/07
DRAWN BY:	HAS	05/07
CHECKED BY:	MTD	06/07
APPROVED BY:	RDP	06/07

PD-3-SA

11-1-06

SUPERSTRUCTURE DETAILS
IL 34/145 OVER BRIER CREEK
FAP ROUTE 132 - SECTION IBR-1
SALINE COUNTY
STATION 102+28.00
STRUCTURE NO. 083-0018