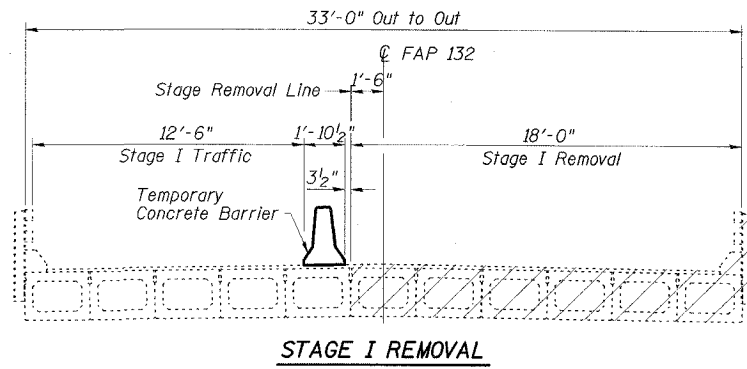


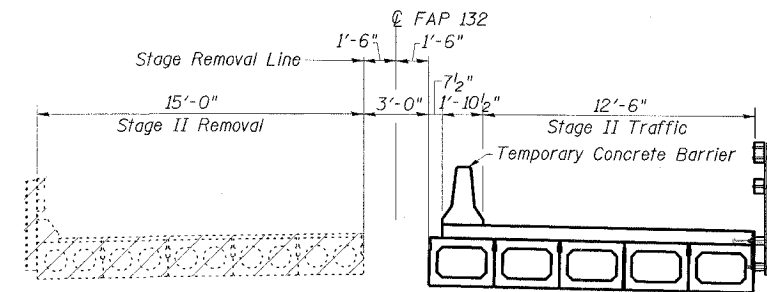
STATE OF ILLINOIS
DEPARTMENT OF TRANSPORTATION

ROUTE NO.	SECTION	COUNTY	DISTRICT	SHEET	SHEET NO. 3 16 SHEETS
FAP 132	1BR-2	SALINE	114	45	
FED. ROAD DIST. NO.	ILLINOIS	FED. AID PROJECT			

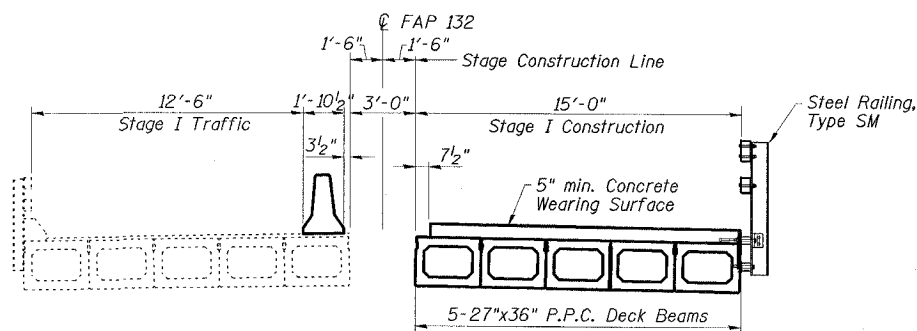
78010



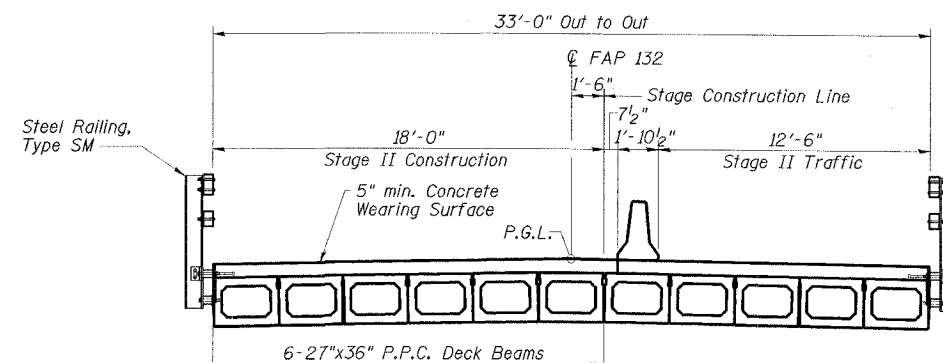
STAGE I REMOVAL



STAGE II REMOVAL



STAGE I CONSTRUCTION



STAGE II CONSTRUCTION

STAGE CONSTRUCTION NOTES

1. All staging sections are looking North.
2. See Dwg. No. 5 of 16 for shear key clamping details.
3. For quantity of Temporary Concrete Barrier, see Roadway Plans.

ESCA
CONSULTANTS, INC.

DESIGNED BY:	JMS	05/07
DRAWN BY:	HAS	05/07
CHECKED BY:	MTD	06/07
APPROVED BY:	RDP	06/07

STAGE CONSTRUCTION DETAILS
 IL 34/145 OVER SOUTH FORK SALINE RIVER
 FAP ROUTE 132 - SECTION 1BR-2
 SALINE COUNTY
 STATION 235+10.00
 STRUCTURE NO. 083-0019