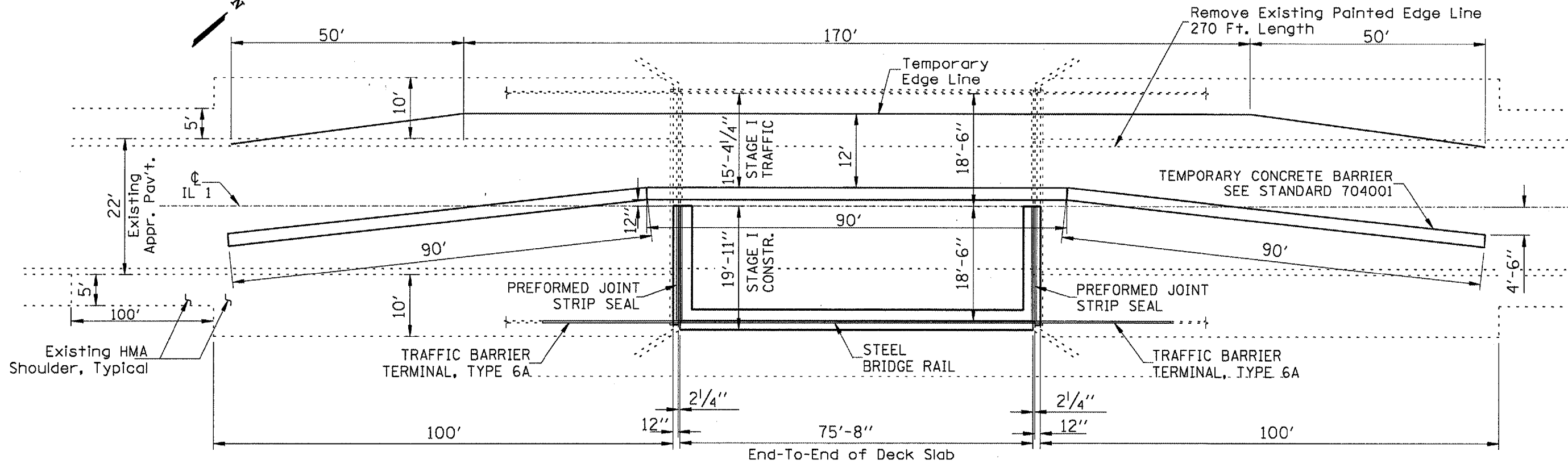
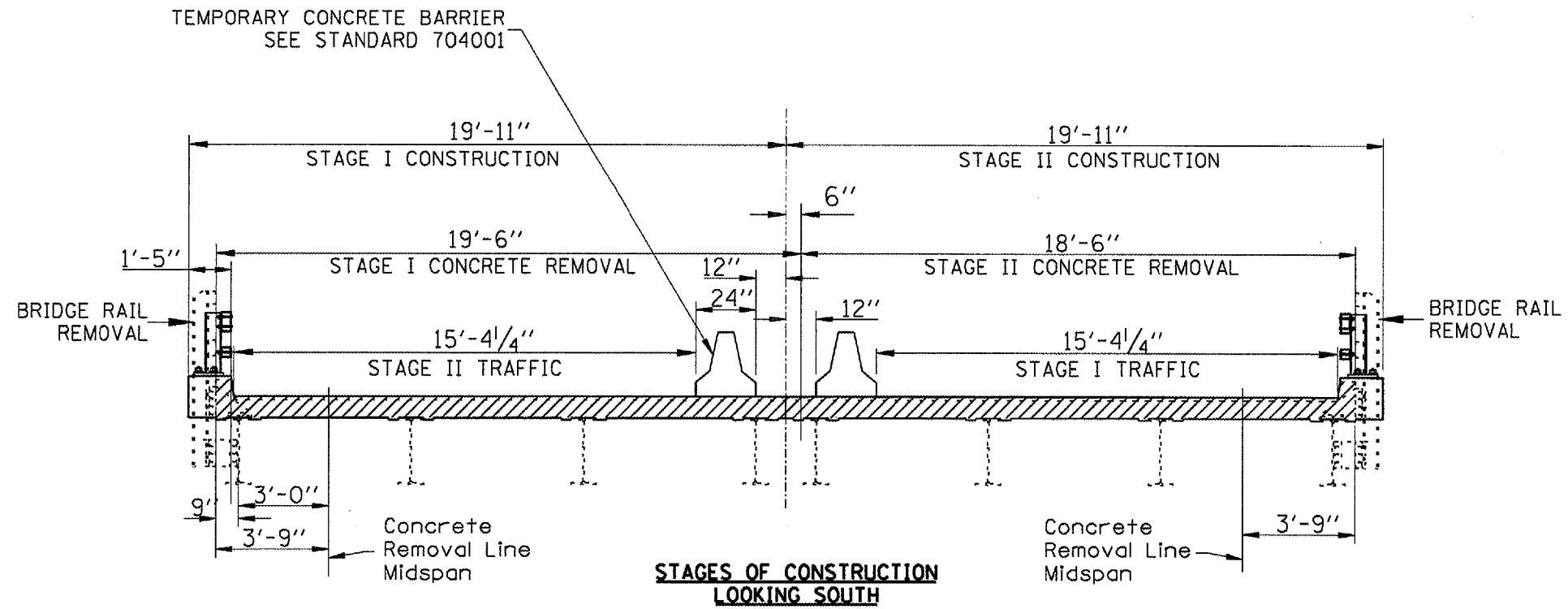


STATE OF ILLINOIS
DEPARTMENT OF TRANSPORTATION

ROUTE NO.	DIVISION	COUNTY	SHEET NO.	TOTAL SHEETS
FAP 332		WHITE	13	4
FED. ROAD DIST. NO. 7		ALLOTTED	FED. AID PROJECT NO.	
* D9 CM BRIDGE REPAIR FY 08-1 CONTRACT NO. 78015				



PLAN VIEW - STAGE I CONSTRUCTION

STAGE II SIMILAR BY 180° ROTATION
EXCEPT FOR PAVEMENT MARKING REMOVAL ON BRIDGE