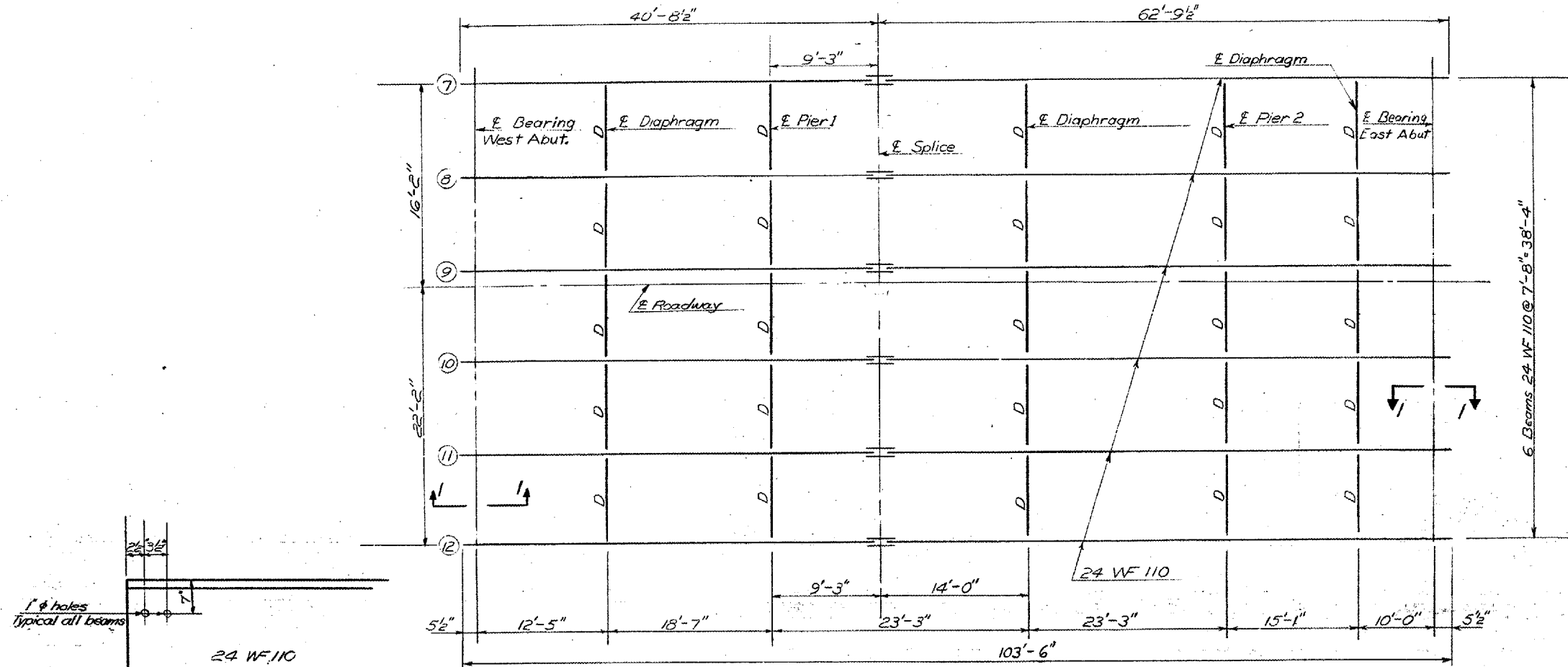


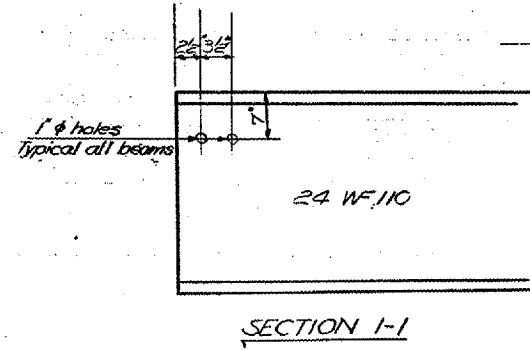
STATE OF ILLINOIS
DEPARTMENT OF PUBLIC WORKS & BUILDINGS
DIVISION OF HIGHWAYS

FAI 24
D9 BRIDGE PAINTING FY 08-1
JOHNSON & WILLIAMSON COUNTIES
CONTRACT 78020
SHEET 18 OF 35

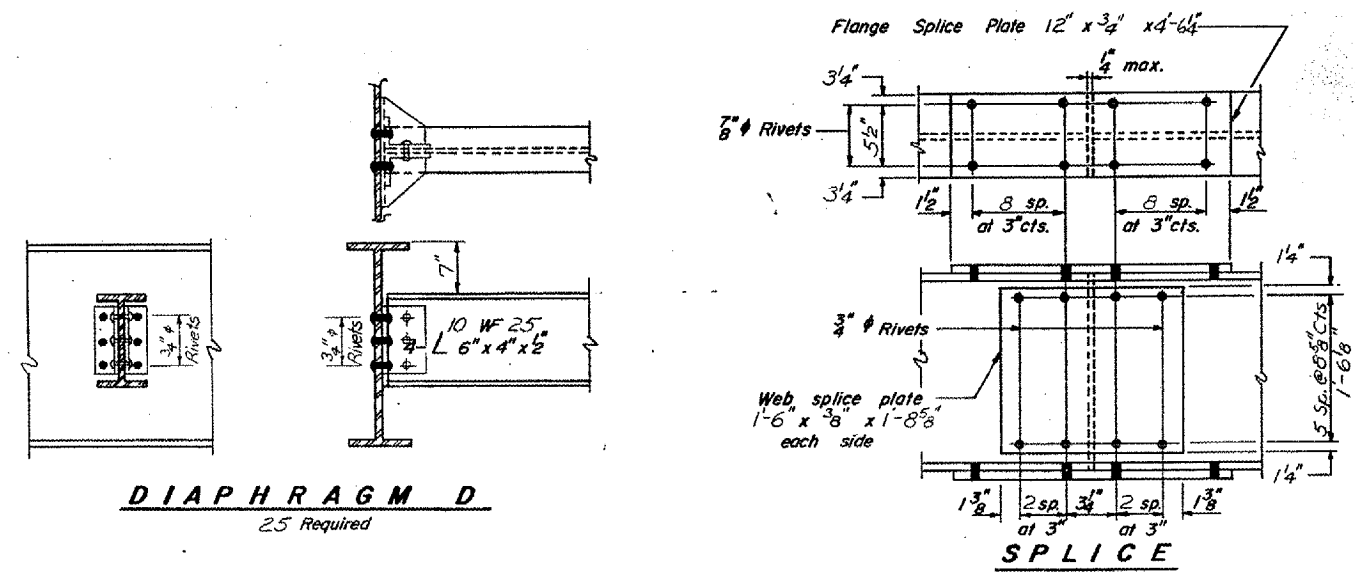


TOP OF BEAM ELEVATIONS

	7	8	9	10	11	12
W. Abut.	526.39	526.53	526.65	526.55	526.42	526.26
Pier 1	525.31	525.45	525.57	525.47	525.34	525.18
Splice	524.98	525.13	525.24	525.15	525.02	524.85
Pier 2	523.78	523.92	524.04	523.95	523.81	523.65
E. Abut.	522.97	523.11	523.23	523.14	523.00	522.84



FRAMING PLAN
East Bound Lanes



BRIDGE NO. 3
S.N. 044-0049
FOR INFORMATION ONLY

DESIGNED *[Signature]*
CHECKED J. M. Patel
DRAWN J. Sutherland
CHECKED J. M. P.

EXAMINED *[Signature]*
PASSED
APPROVED *[Signature]*

STRUCTURAL STEEL LAYOUT
EAST BOUND LANES
F.A.I. RT. 24 SEC. - 44-6HB-1
JOHNSON COUNTY
STATION 258+93.67 (E.B.)