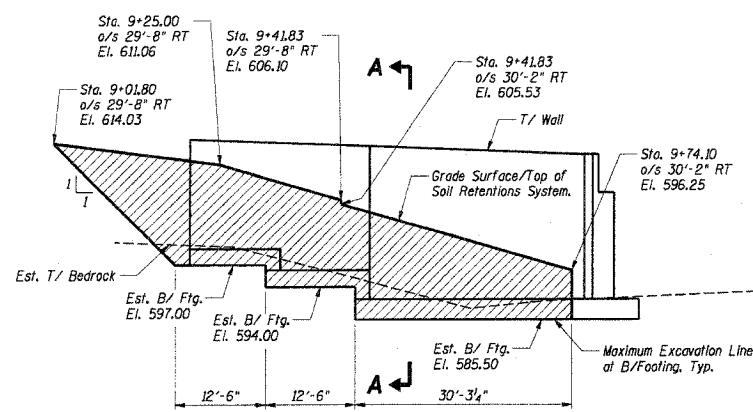
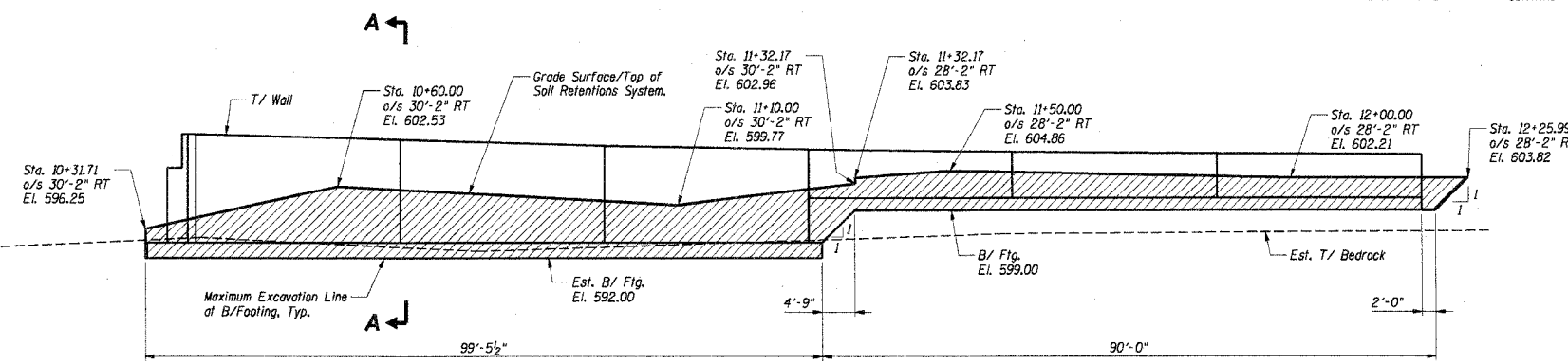


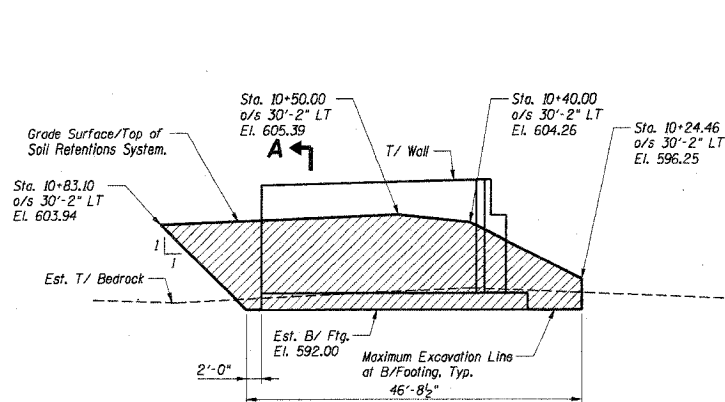
F.A. SECTION	COUNTY	TOTAL SHEET
• WILL	ILLINOIS	64
STA. TO STA.	FED. AID PROJECT	
FED. ROAD DIST. NO.	ILLINOIS	CONTRACT NO. 63949
• 02-11106-01-BR		



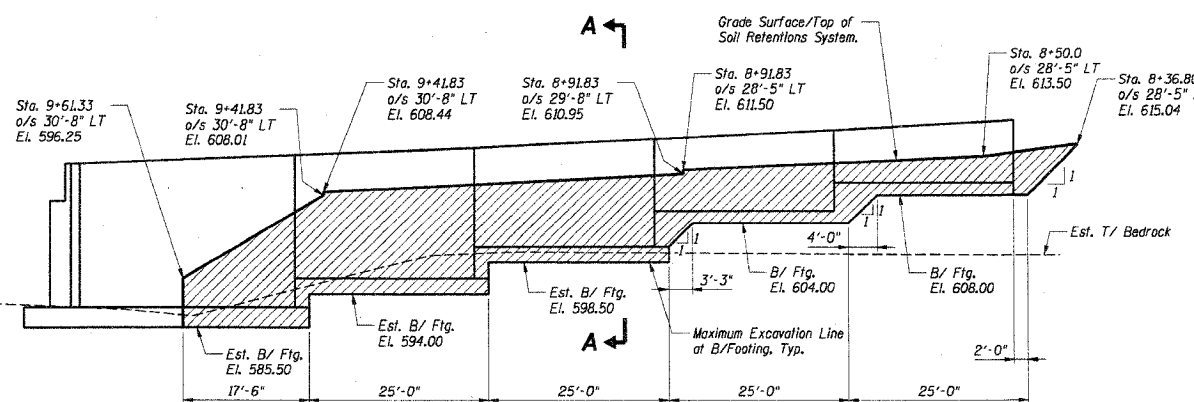
SE RETAINING WALL ELEVATION



NE RETAINING WALL ELEVATION



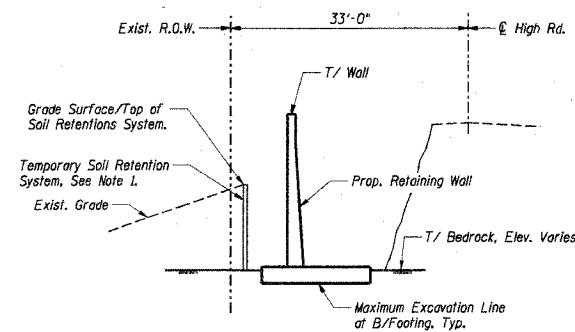
NW RETAINING WALL ELEVATION



SW RETAINING WALL ELEVATION

Notes:

1. A cantilever sheet piling design does not appear feasible and additional members or other retention systems may be necessary. The Contractor shall submit a temporary soil retention system design including plan details and calculations for review and acceptance by the engineer.
2. The contractor shall coordinate the limits and design of the Temporary Soil Retention System adjacent to the Cofferdams to accommodate the constructibility of both systems. The cost of such coordination and associated design and details of the Temporary Soil Retention System shall be included with Temporary Soil Retention System.



SECTION A-A

SHT. 5-03 OF 28

REVISIONS	NAME	DATE

LOCKPORT TOWNSHIP HIGHWAY DEPARTMENT
TR216A HIGH ROAD OVER LONG RUN CREEK
SECTION 02-11106-01-BR

TEMPORARY SOIL RETENTION SYSTEM

SCALE: DATE: 10-19-2007 DRAWN BY: BCK CHECKED BY: CCE

TENG

TENG & ASSOCIATES, INC.
215 N. JACKSON AVE. CHICAGO, IL 60604
TEL: 312-487-4000 FAX: 312-487-4001

D:\PROJECTS\02-11106-01-TR216A\DRAWINGS\TEMPORARY SOIL RETENTION SYSTEM\SECTION A-A.dwg 10/19/2007 15:58:09