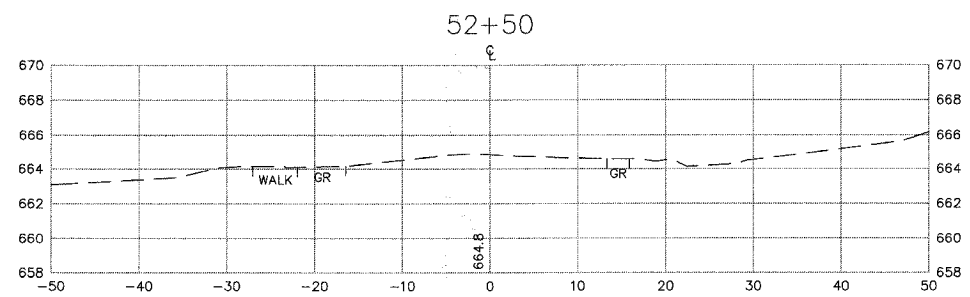
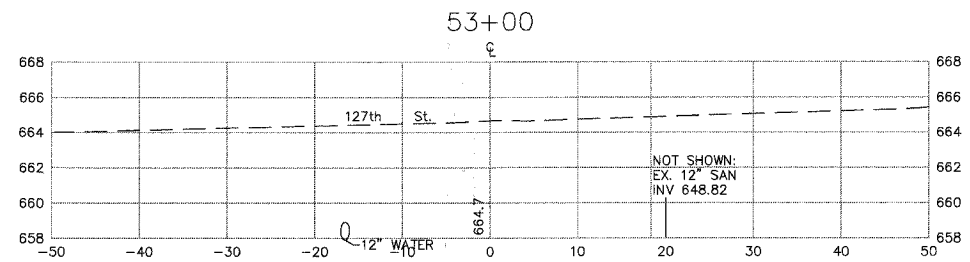
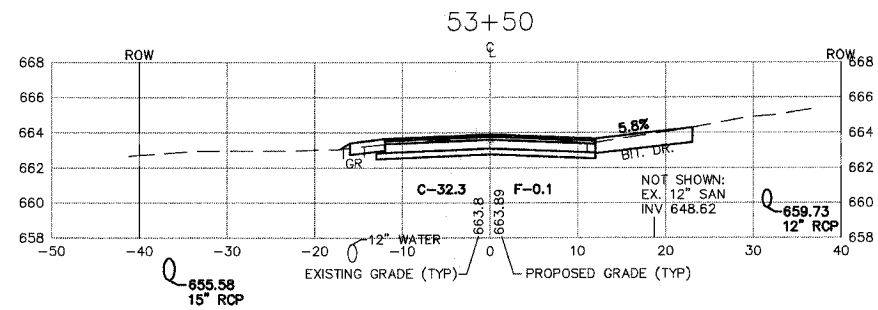
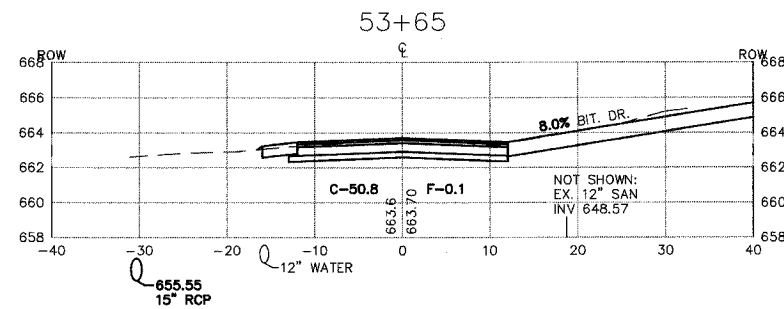
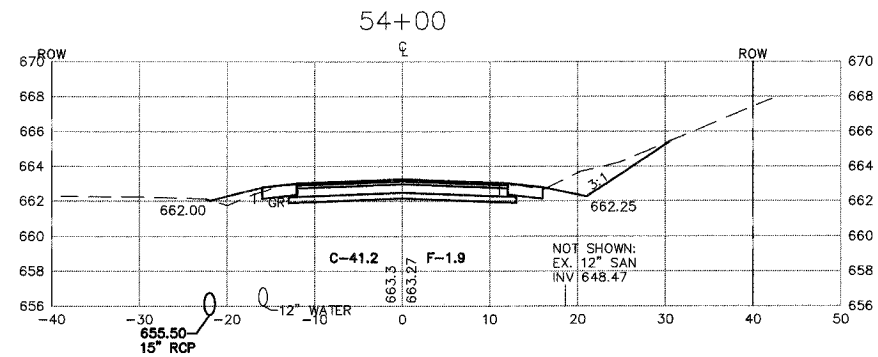
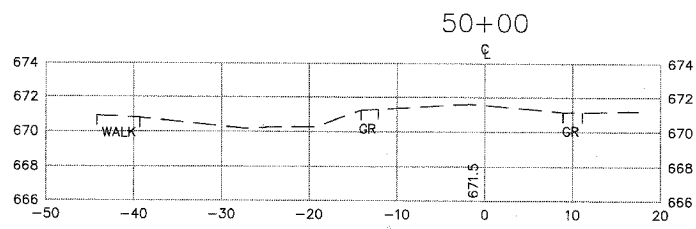
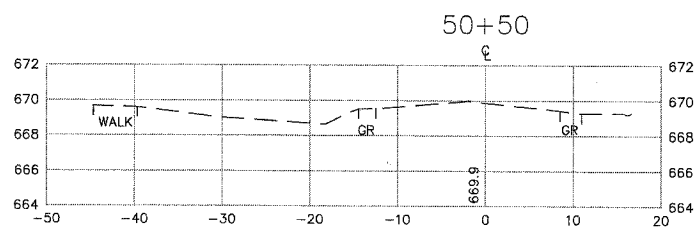
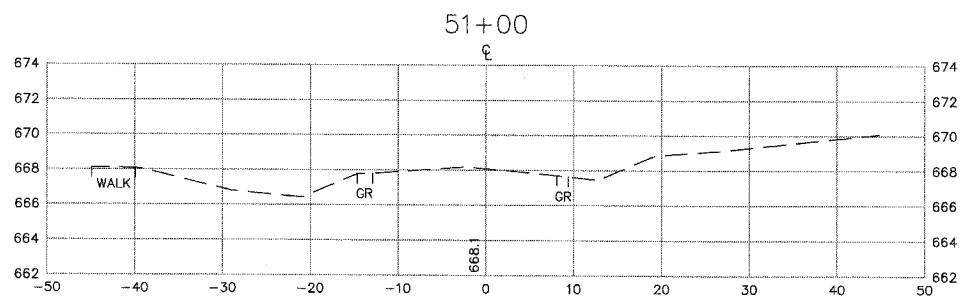
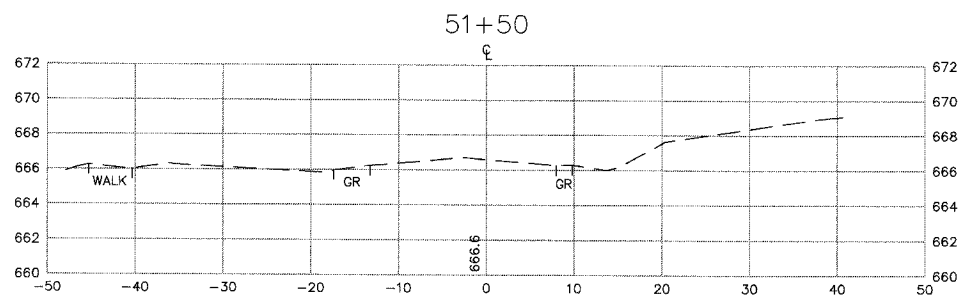
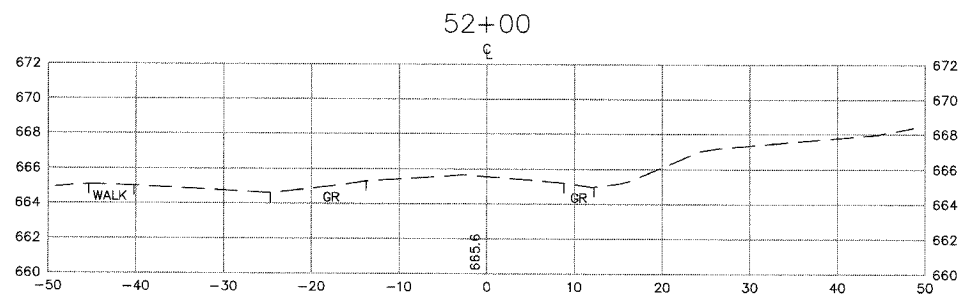


FAU RTE.	SECTION	COUNTY	TOTAL SHEETS	SHEET NO.
3791	02-00037-00-WR	COOK	40	24
F.H.W.A. REG.	ILLINOIS	PROJECT:		
83957				



PLOT DATE: SEP 05, 2007  
 FILENAME: H:\04-PH\3003\PLANS-ENG\REV-3\DWG\SHEET-XSECS.dwg

# MORRIS ENGINEERING, INC.

5100 LINCOLN AVE LISLE, ILLINOIS 60532  
 PHONE: (630)271-0770 WEBSITE: ECIVIL.COM

LOCATION: H:\04-PH\3003\PLANS-ENG\REV-3\DWG\SHEET-XSECS.dwg  
 DRAWN BY: CJS DESIGN BY: RAC CHECKED BY: JJV  
 JOB NO.: 04-PH-3003 SCALE: 1"=10' H 1"=5' V

**76TH AVENUE RECONSTRUCTION  
 127TH STREET TO ILLINOIS ROUTE 83**

**CROSS SECTIONS  
 STA. 50+00 TO STA. 54+00**

DATE	REVISIONS	BY	SHEET
1	5-09-07	PER IDOT REVIEW	RAC
2	5-24-07	PER IDOT REVIEW	RAC
3	9-04-07	PER IDOT REVIEW	RAC
4			

24

OF 40 SHEETS