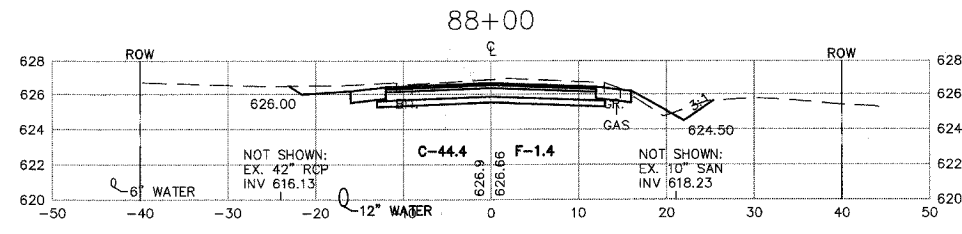
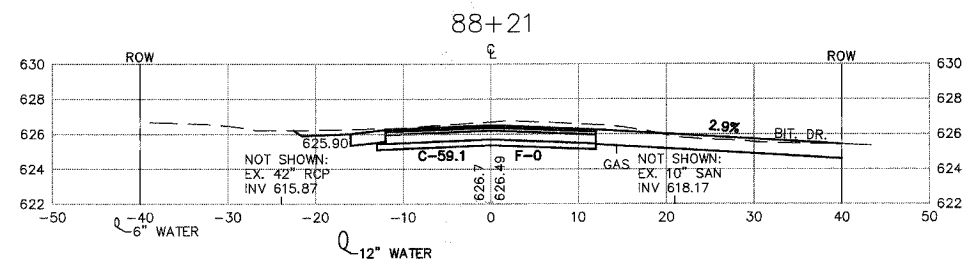
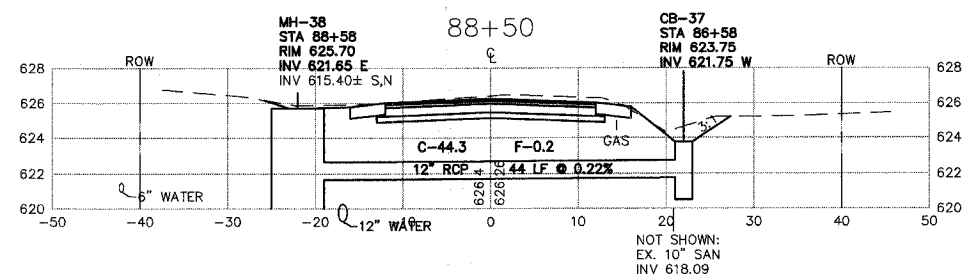
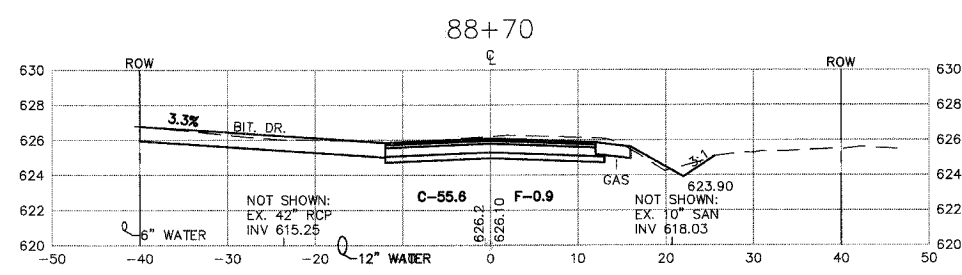
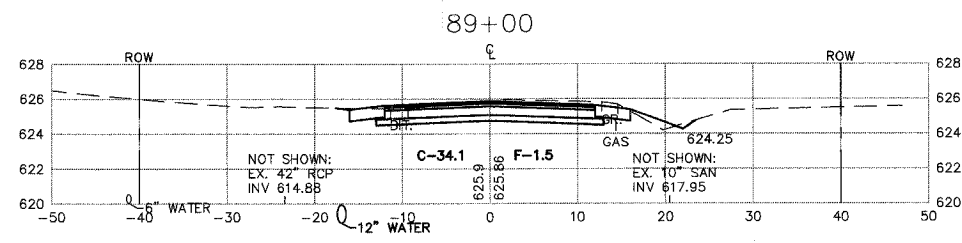
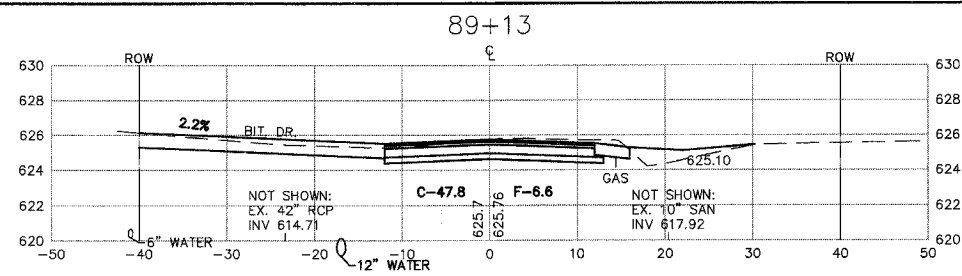
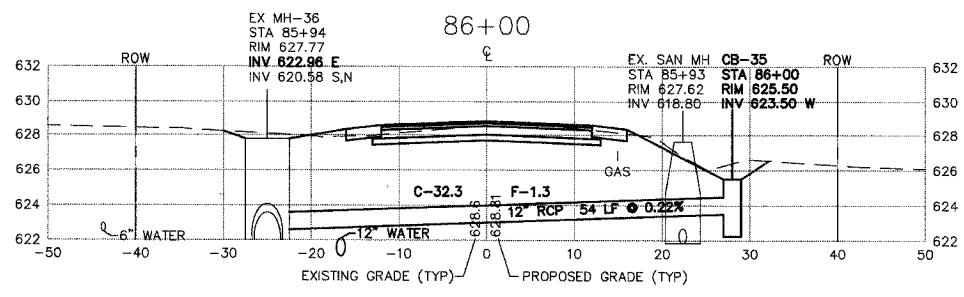
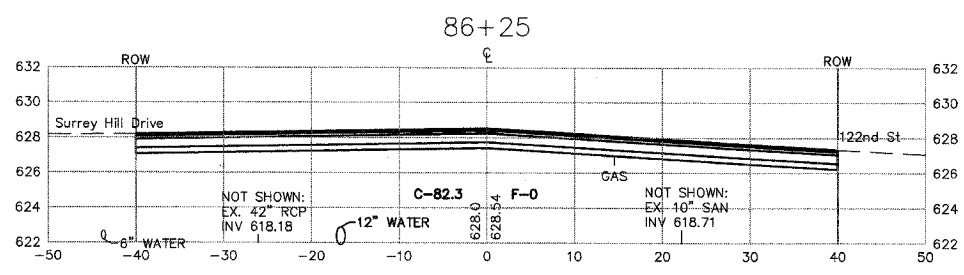
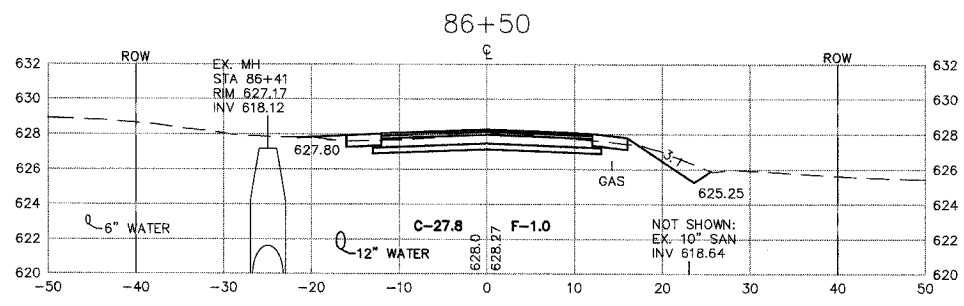
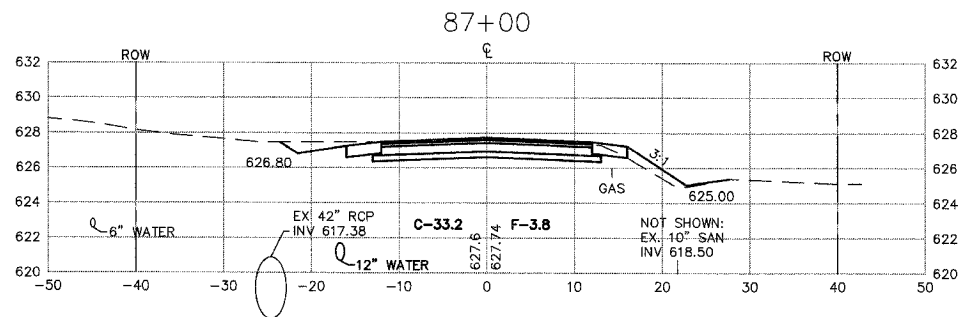
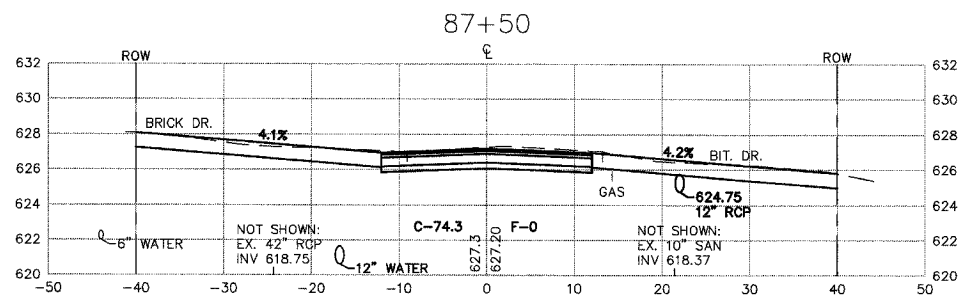


FAU RTE.	SECTION	COUNTY	TOTAL SHEETS	SHEET NO.
3791	02-00037-00-WR	COOK	40	35
F.H.W.A. REG.		ILLINOIS	PROJECT.	
83957				



MORRIS ENGINEERING, INC.
 5100 LINCOLN AVE LISLE, ILLINOIS 60532
 PHONE: (630)271-0770 WEBSITE: ECIVIL.COM
 LOCATION: H:\04-PH\3003\PLANS-ENG\REV-3\dwg\SHEET-XSECS.dwg
 DRAWN BY: CJS DESIGN BY: RAC CHECKED BY: JJV
 JOB NO.: 04-PH-3003 SCALE: 1"=10' H 1"=5' V

**76TH AVENUE RECONSTRUCTION
 127TH STREET TO ILLINOIS ROUTE 83**

**CROSS SECTIONS
 STA. 86+00 TO STA. 89+13**

DATE	REVISIONS	BY	SHEET
1	5-09-07	PER IDOT REVIEW	RAC
2	5-24-07	PER IDOT REVIEW	RAC
3	9-04-07	PER IDOT REVIEW	RAC
4			

35
OF 40 SHEETS

PLOT DATE: SEP 05, 2007
 FILENAME: H:\04-PH\3003\PLANS-ENG\REV-3\dwg\SHEET-XSECS.dwg