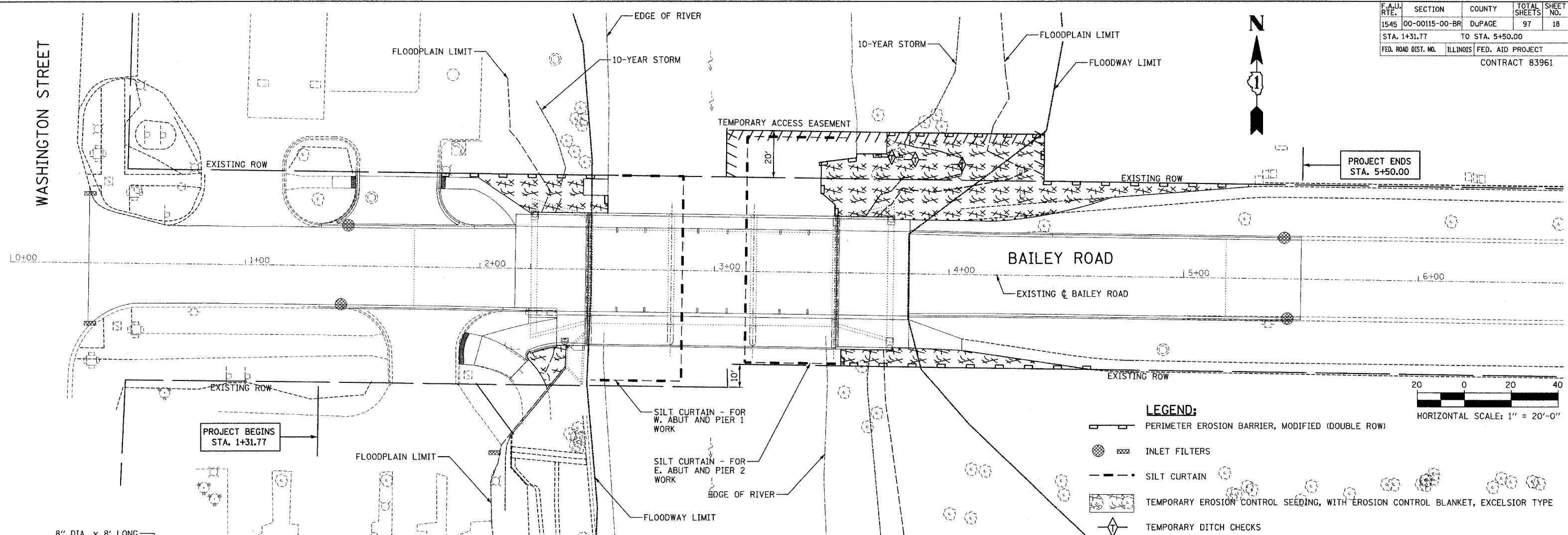


F.A.J. RTE.	SECTION	COUNTY	TOTAL SHEETS	SHEET NO.
1545	00-00115-00-BR	DUPAGE	97	18
STA. 1+31.77	TO STA. 5+50.00			
FED. ROAD DIST. NO.	ILLINOIS	FED. AID PROJECT		
CONTRACT 83961				

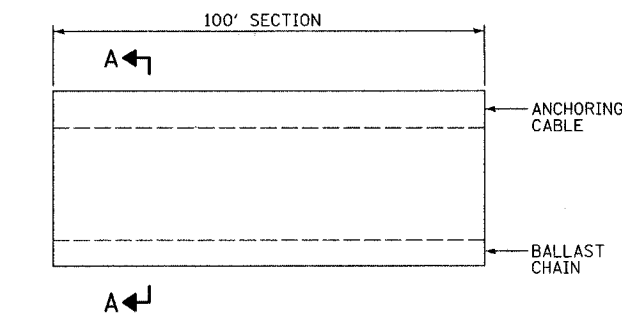
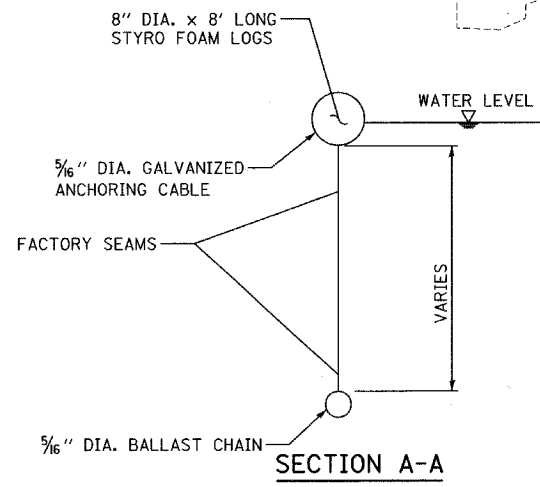


LEGEND:

- PERIMETER EROSION BARRIER, MODIFIED (DOUBLE ROW)
- INLET FILTERS
- SILT CURTAIN
- TEMPORARY EROSION CONTROL SEEDING, WITH EROSION CONTROL BLANKET, EXCELSIOR TYPE
- TEMPORARY DITCH CHECKS

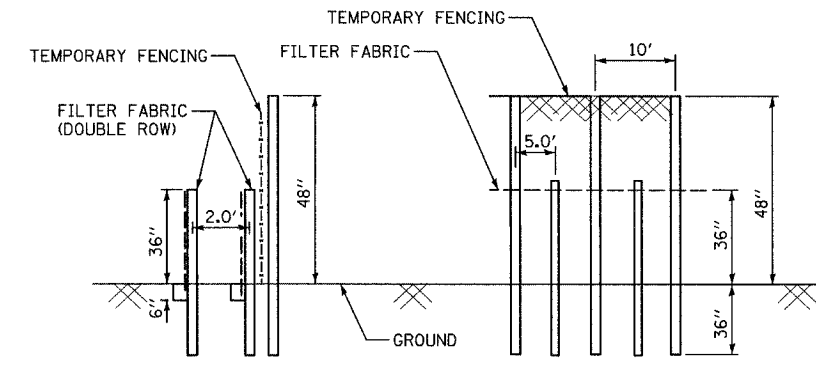
GENERAL NOTES

- THE SURFACE OF STRIPPED OR DISTURBED AREAS SHALL BE PERMANENTLY OR TEMPORARILY STABILIZED WITHIN 14 DAYS AFTER FINAL GRADE IS REACHED OR WHEN LEFT IDLE FOR MORE THAN 14 DAYS. TEMPORARY EROSION CONTROL AND SEDIMENT CONTROL MEASURES SHALL BE MAINTAINED CONTINUOUSLY UNTIL PERMANENT SOIL EROSION CONTROL MEASURES HAVE BEEN ADEQUATELY ESTABLISHED.
- STOCKPILES OF SOIL SHALL NOT BE LOCATED IN SPECIAL MANAGEMENT AREAS.
- IF A STOCKPILE IS TO REMAIN IN PLACE FOR MORE THAN 3 DAYS, THEN EROSION AND SEDIMENT CONTROL SHALL BE PROVIDED FOR SUCH STOCKPILE.
- ALL TEMPORARY EROSION AND SEDIMENT CONTROL MEASURES SHALL BE REMOVED WITHIN 30-DAYS AFTER FINAL STABILIZATION IS ACHIEVED WITH PERMANENT SOIL STABILIZATION MEASURES. TRAPPED SEDIMENT AND OTHER DISTURBED SOILS RESULTING FROM TEMPORARY MEASURES SHALL BE PROPERLY DISPOSED OF AND THE AREA PERMANENTLY STABILIZED.
- INLET FILTERS SHALL BE INSPECTED IMMEDIATELY AFTER EACH RAINFALL AND AT LEAST DAILY DURING PROLONGED RAINFALL. ANY REPAIRS SHALL BE MADE IMMEDIATELY. WHEN CLOGGING OCCURS, INLET FILTERS SHALL BE CLEANED OR REPLACED AS DIRECTED BY THE ENGINEER.
- UNLESS OTHERWISE INDICATED, ALL VEGETATIVE AND STRUCTURAL EROSION AND SEDIMENT CONTROL PRACTICES WILL BE CONSTRUCTED ACCORDING TO MINIMUM STANDARDS AND SPECIFICATIONS IN THE ILLINOIS URBAN MANUAL REVISED FEBRUARY 2002.
- THE KANE-DUPAGE SOIL AND WATER CONSERVATION DISTRICT (KDSWCD) MUST BE NOTIFIED ONE WEEK PRIOR TO THE PRE-CONSTRUCTION CONFERENCE, ONE WEEK PRIOR TO THE COMMENCEMENT OF LAND DISTURBING ACTIVITIES, AND ONE WEEK PRIOR TO THE FINAL INSPECTION.
- A COPY OF THE APPROVED EROSION AND SEDIMENT CONTROL PLAN SHALL BE MAINTAINED ON THE SITE AT ALL TIMES.
- PRIOR TO COMMENCING LAND-DISTURBING ACTIVITIES IN AREAS OTHER THAN INDICATED ON THESE PLANS (INCLUDING BUT NOT LIMITED TO, ADDITIONAL PHASES OF DEVELOPMENT AND OFF-SITE BORROW OR WASTE AREAS) A SUPPLEMENTARY EROSION CONTROL PLAN SHALL BE SUBMITTED TO THE OWNER FOR REVIEW BY THE KDSWCD.
- THE CONTRACTOR IS RESPONSIBLE FOR INSTALLATION OF ANY ADDITIONAL EROSION CONTROL MEASURES NECESSARY TO PREVENT EROSION AND SEDIMENTATION AS DETERMINED BY THE KDSWCD.
- DURING DEWATERING OPERATIONS, WATER WILL BE PUMPED INTO SEDIMENT BASINS OR SILT TRAPS. DEWATERING DIRECTLY INTO FIELD TILES OR STORMWATER STRUCTURES IS PROHIBITED.
- IT IS THE RESPONSIBILITY OF THE CONTRACTOR TO INFORM ANY SUB-CONTRACTORS WHO MAY PERFORM WORK ON THIS PROJECT, OF THE REQUIREMENTS OF IMPLEMENTING AND MAINTAINING THESE EROSION CONTROL PLANS AND THE NATIONAL POLLUTANT DISCHARGE ELIMINATION SYSTEM (NPDES) PERMIT REQUIREMENTS SET FORTH BY THE ILLINOIS EPA.



PERIMETER EROSION BARRIER MAINTENANCE

- PERIMETER EROSION BARRIER SHALL BE INSPECTED IMMEDIATELY AFTER EACH RAINFALL AND AT LEAST DAILY DURING PROLONGED RAINFALL. ANY REPAIRS SHALL BE MADE IMMEDIATELY.
- SHOULD THE FABRIC DECOMPOSE OR BECOME INEFFECTIVE PRIOR TO THE END OF THE EXPECTED USABLE LIFE AND THE BARRIER IS STILL NECESSARY, THE FABRIC SHALL BE REPLACED PROMPTLY.
- SEDIMENT DEPOSITS SHOULD BE REMOVED AFTER EACH STORM EVENT. THEY MUST BE REMOVED WHEN DEPOSITS REACH APPROXIMATELY HALF THE HEIGHT OF THE BARRIER.
- ANY SEDIMENT DEPOSITS REMAINING IN PLACE AFTER THE SILT FENCE OR FILTER BARRIER IS NO LONGER REQUIRED SHALL BE DRESSED TO CONFORM WITH THE EXISTING GRADE, PREPARED AND SEEDED.



PERIMETER EROSION BARRIER, MODIFIED DETAIL

- TEMPORARY FENCE SHALL BE FASTENED SECURELY TO THE FENCE POSTS WITH WIRE TIES.
- FILTER FABRIC SHALL BE FASTENED SECURELY TO THE TEMPORARY FENCE WITH WIRE TIES, SEE STD 280001.

REVISIONS	
NAME	DATE

BRIDGE REHABILITATION
BAILEY ROAD OVER
WEST BRANCH OF THE DUPAGE RIVER

EROSION CONTROL PLANS

CONSULTANT
TYLIN INTERNATIONAL

City of **Naperville**

DRAWN: RTM
CHECKED: SP
APPROVED:
DATE: OCTOBER 4, 2007
SCALE: 1"=20'-0"
JOB NO.: C-9I-062-04

SHEET NO.
18
PROJECT NO.: BHM-8003(343)

SILT CURTAIN DETAIL
NOT TO SCALE