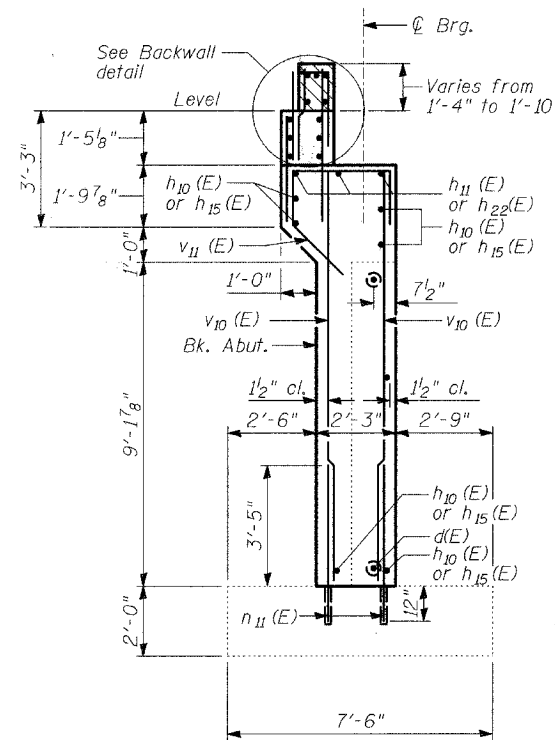
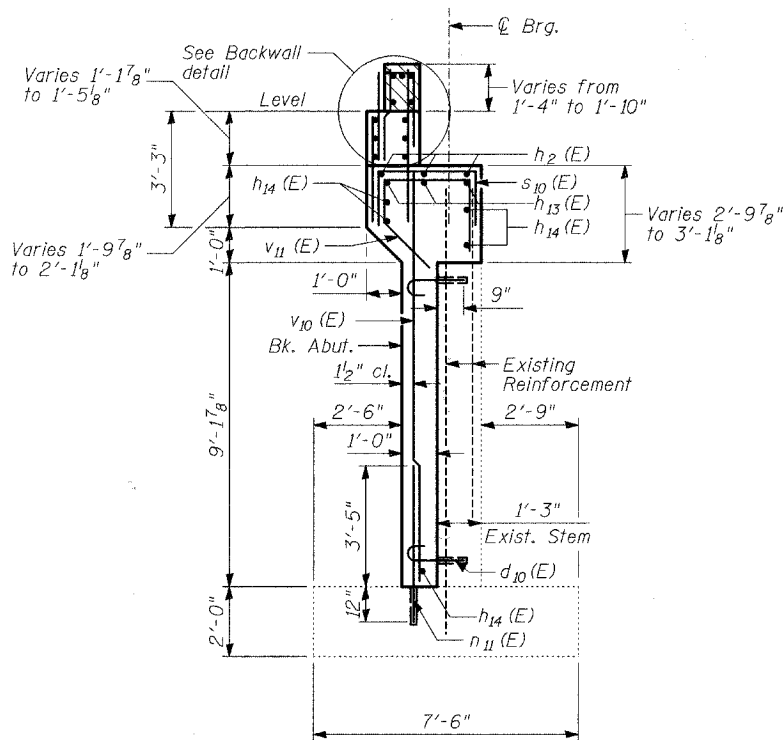


STATE OF ILLINOIS
DEPARTMENT OF TRANSPORTATION

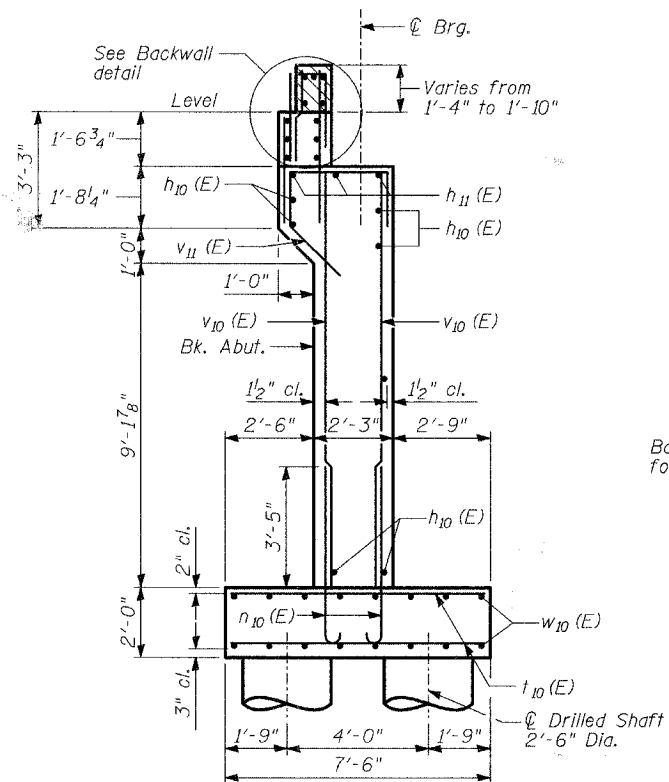
ROUTE NO.	SECTION	COUNTY	FEEDING ROADS	SHEET NO.	SHEET NO. - 27
1545	*	DUPAGE	97	48	39 - SHEETS
FED. ROAD DIST. NO.	ILLINOIS	FED. AID PROJECT -	CONTRACT NO. 83961		
* 00-00115-00-BR					



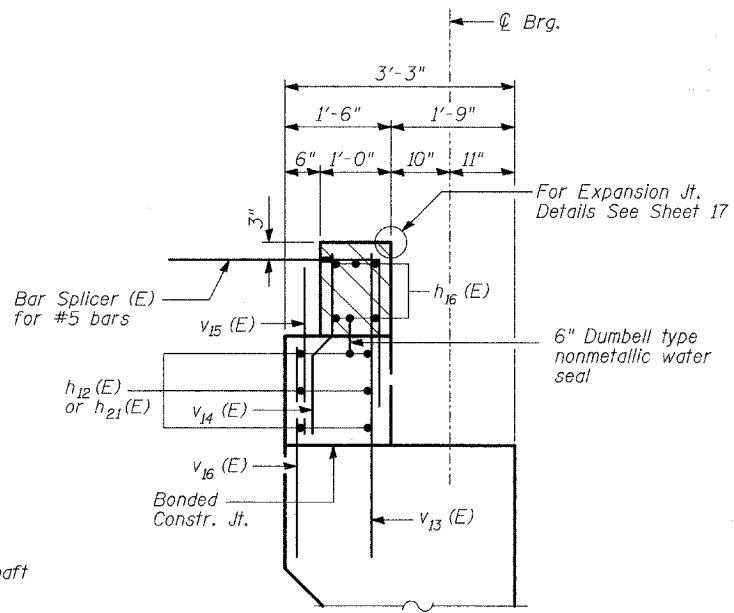
SECTION A-A



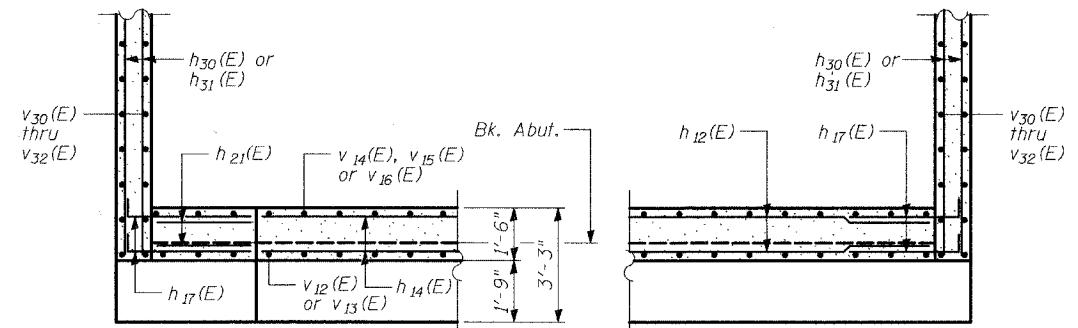
SECTION B-B



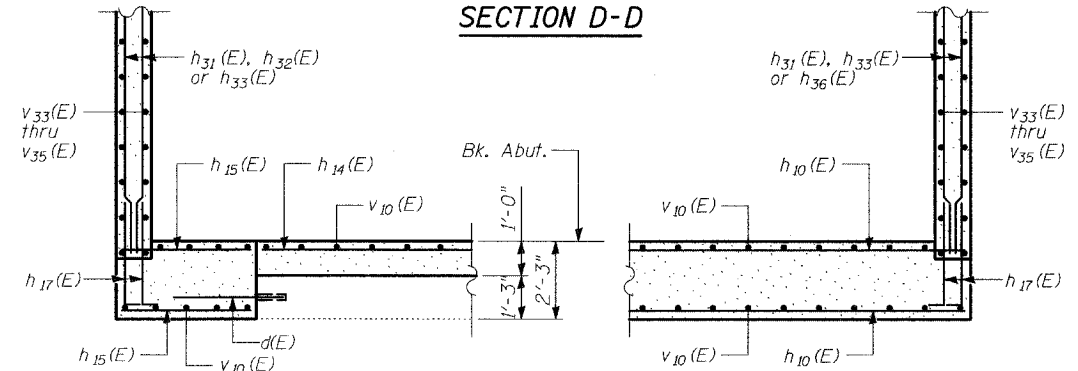
SECTION C-C



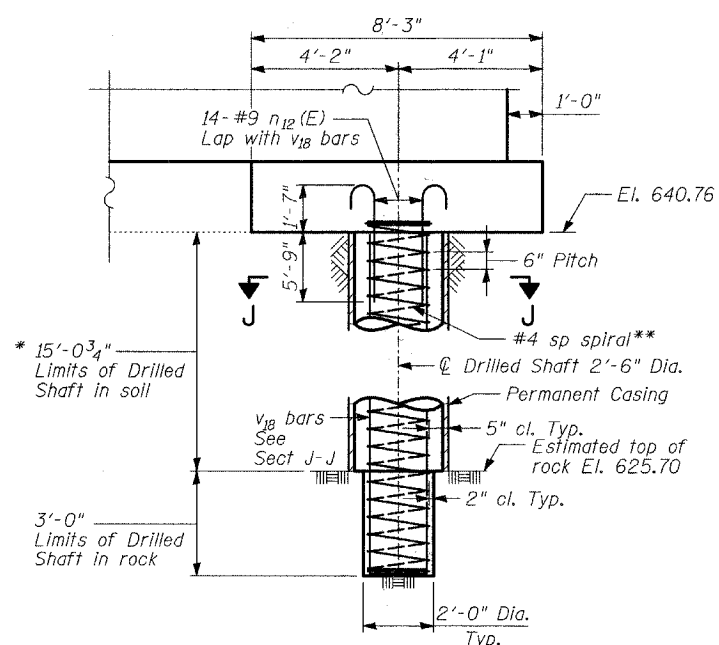
BACKWALL DETAIL



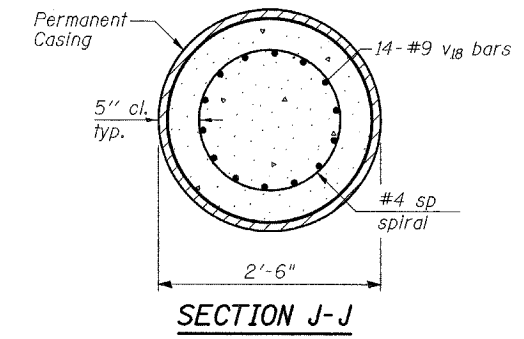
SECTION D-D



SECTION E-E



DRILLED SHAFT DETAIL



SECTION J-J

NOTE:
1. Hatched are to be poured after Superstructure falsework has been removed. Quantity of Concrete included with Concrete Superstructure.

TYLIN INTERNATIONAL

DESIGNED	- PL
CHECKED	- SP
DRAWN	- PL
CHECKED	- SP

**EAST ABUTMENT
SECTIONS AND DETAILS**

BAILEY ROAD OVER THE
WEST BRANCH OF THE DUPAGE RIVER
FAU 1545
SECTION 00-00115-00-BR STA. 2+99.15
DUPAGE COUNTY
S.N. 022-3028