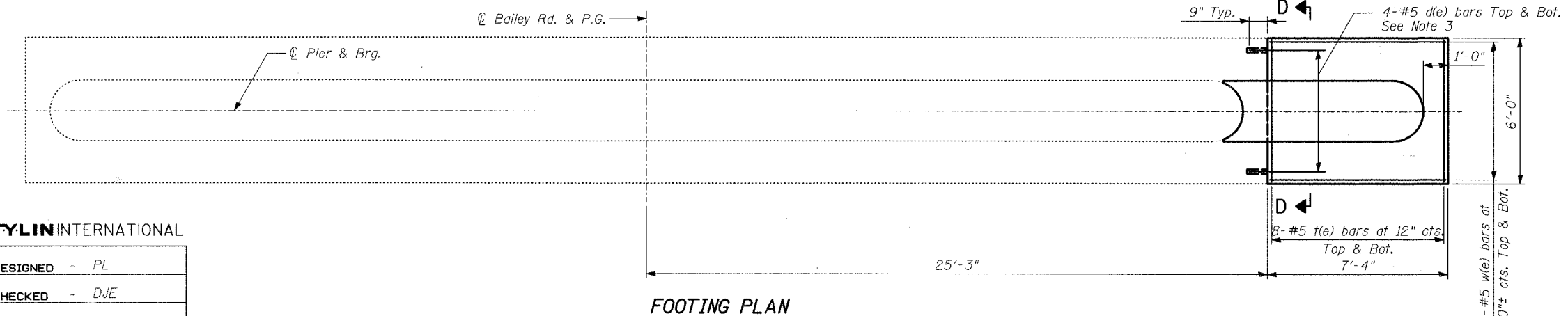
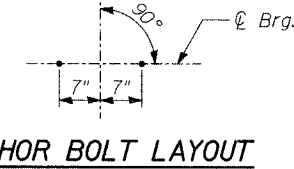
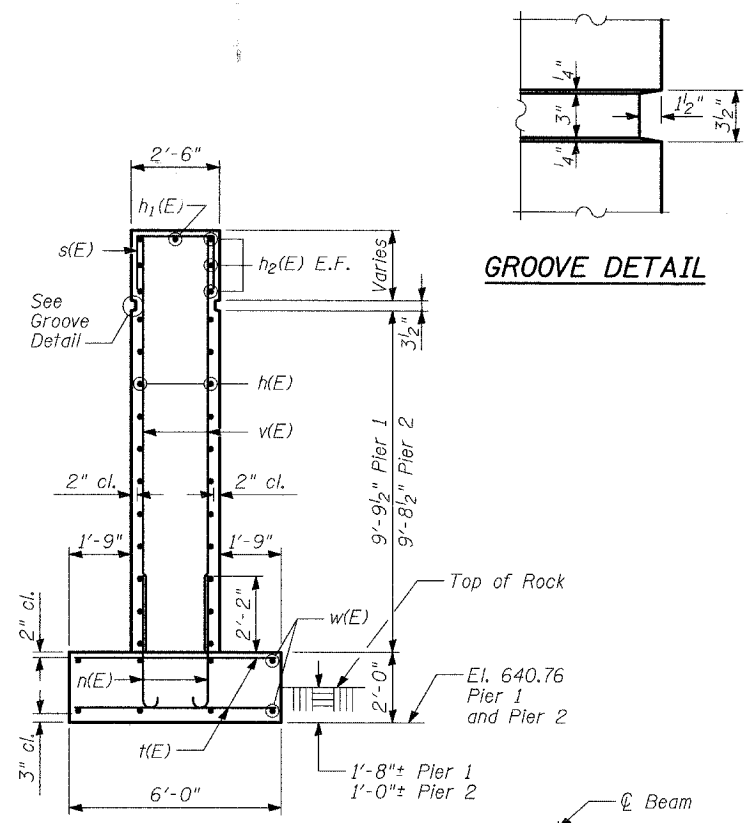
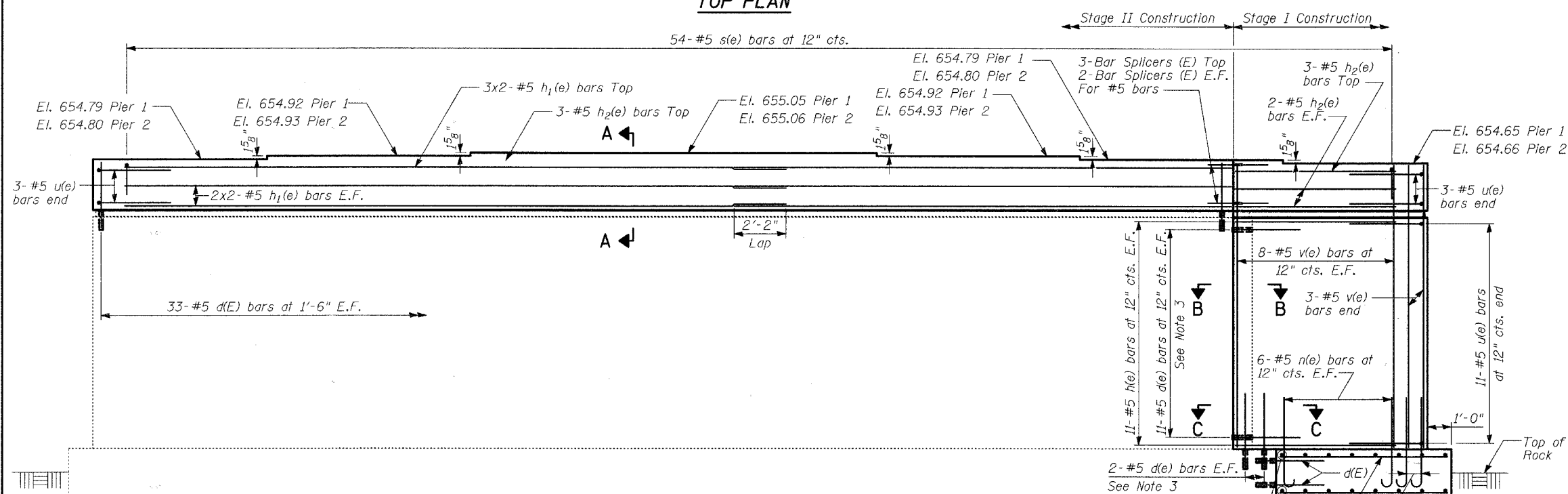
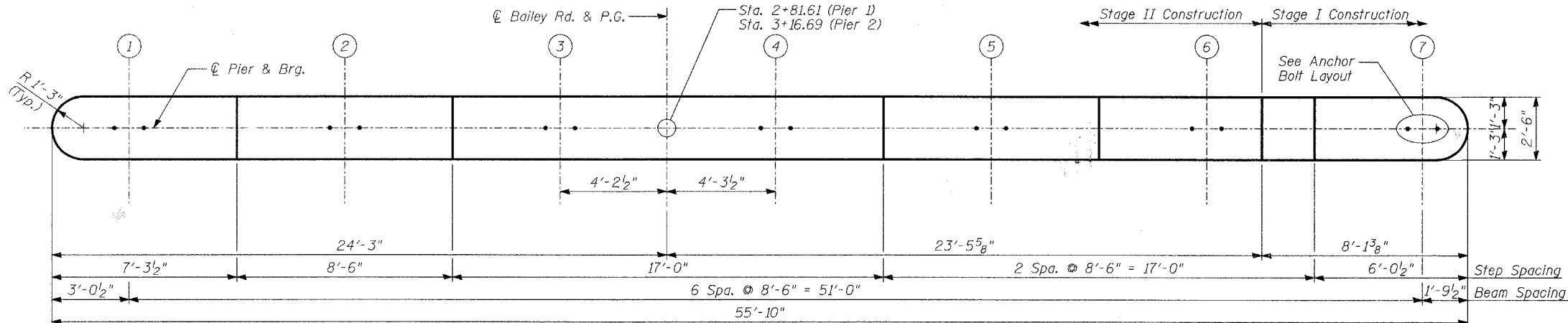


STATE OF ILLINOIS
DEPARTMENT OF TRANSPORTATION

ROUTE NO.	SECTION	COUNTY	TOTAL SHEETS	SHEET NO.	SHEET NO. - 29
1545	*	DUPAGE	97	50	39 - SHEETS
FED. ROAD DIST. NO.		ILLINOIS	FED. AID PROJECT-		CONTRACT NO. 83961
00-00115-00-BR					



LEGEND
E.F. Indicates Each Face

TYLIN INTERNATIONAL

DESIGNED	- PL
CHECKED	- DJE
DRAWN	- PL
CHECKED	- DJE

PIERS 1 & 2

BAILEY ROAD OVER THE
WEST BRANCH OF THE DUPAGE RIVER
FAU 1545
SECTION 00-00115-00-BR STA. 2+99.15
DUPAGE COUNTY
S.N. 022-3028

- NOTES:**
- Space reinforcement in pier to miss anchor bolts.
 - All edges shall have standard $\frac{3}{4}$ " chamfers.
 - Epoxy grout bars in 9" deep minimum drilled holes according to Article 584 of the Standard Specifications. The grout and method of application shall be approved by the Engineer.
 - Bars indicated thus: 3x2-#5 etc. Indicates 3 lines of bars with 2 lengths per line.
 - For Section C-C and Section D-D see Sheet 30.
 - For Bill of Material see Sheet 30.
 - Pour steps monolithically with Pier Cap.
 - Allowable Bearing Pressure 12,000 psf.