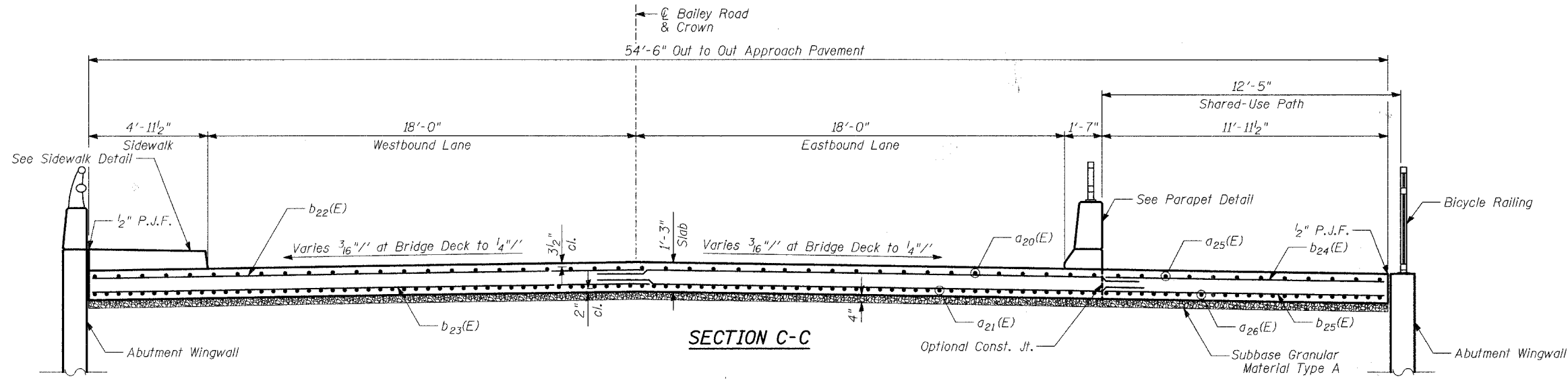


STATE OF ILLINOIS
DEPARTMENT OF TRANSPORTATION

ROUTE NO.	SECTION	COUNTY	STATION	SHEET NO.	SHEET NO. - 37
1545	*	DUPAGE	97	58	39 - SHEETS
FED. ROAD DIST. NO.	ILLINOIS	FED. AID PROJECT	CONTRACT NO. 83961		
* 00-00115-00-BR					

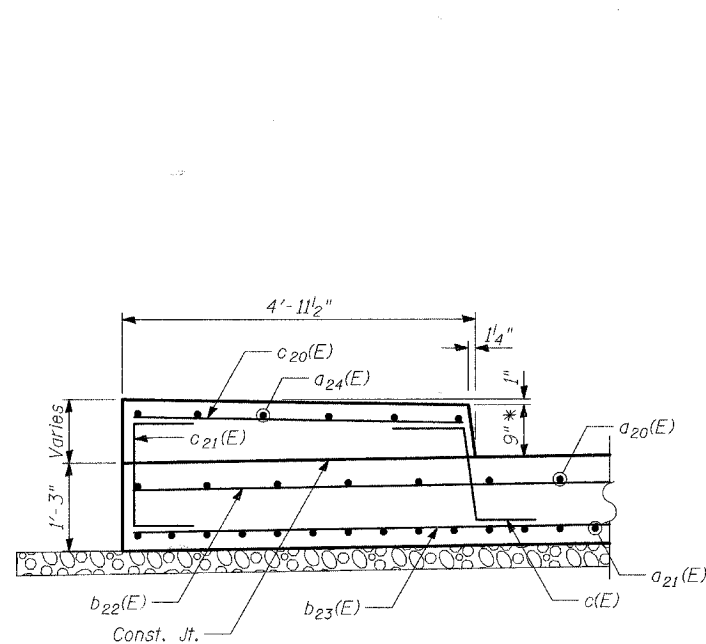


BILL OF MATERIAL

Bar	No.	Size	Length	Shape
a20(E)	41	#5	29'-6"	U
a21(E)	81	#9	29'-6"	U
a22(E)	41	#4	5'-8"	U
a23(E)	41	#4	6'-8"	U
a24(E)	6	#5	30'-8"	U
a25(E)	15	#5	11'-8"	U
a26(E)	30	#9	11'-8"	U
b22(E)	18	#4	23'-3"	U
b23(E)	62	#5	23'-6"	U
b24(E)	4	#4	11'-8"	U
b25(E)	13	#5	11'-8"	U
c(E)	32	#5	2'-5"	U
c20(E)	32	#5	4'-8"	U
c21(E)	32	#5	3'-8"	U
d2(E)	6	#4	2'-0"	U
d3(E)	15	#5	5'-7"	U
d4(E)	15	#5	7'-11"	U
e22(E)	8	#4	12'-8"	U
e23(E)	1	#8	12'-8"	U
h21(E)	48	#5	21'-0"	U

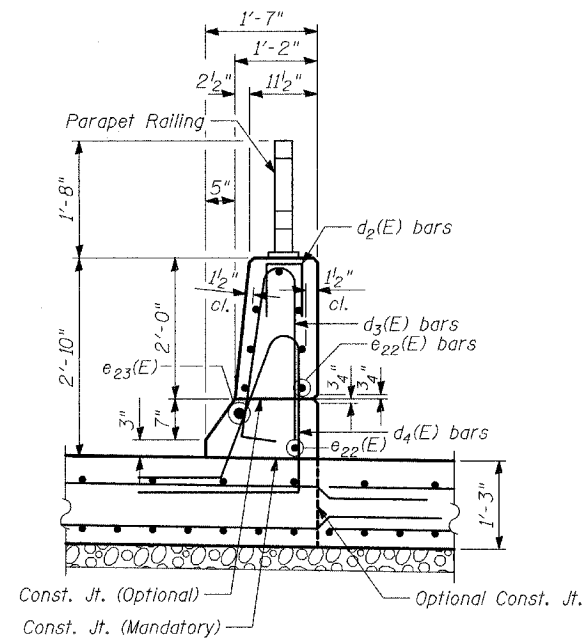
Bridge Approach Pavement (Special)	SQ YD	153
Protective Coat	SQ YD	171
** Reinforcement Bars, Epoxy Coated	Pound	15,007

** Provided for information only

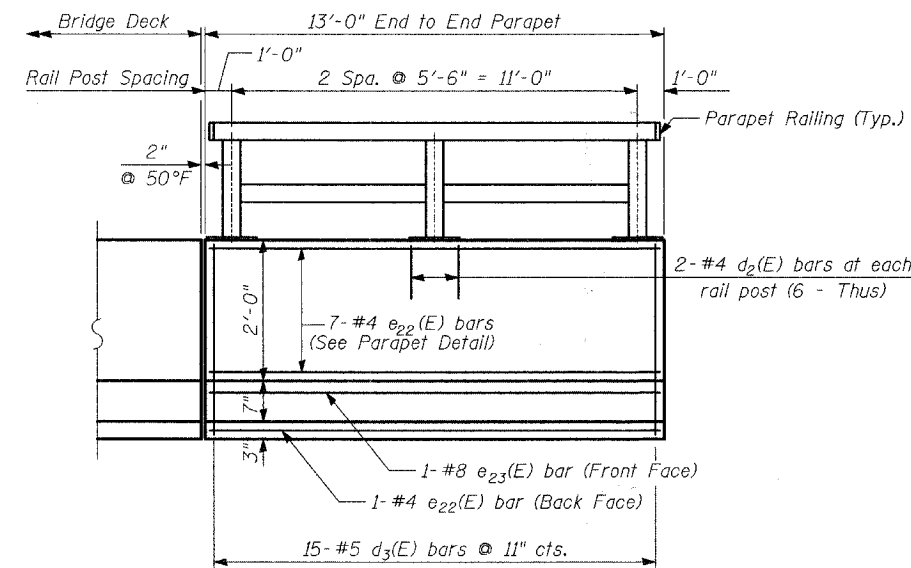


SIDEWALK DETAIL

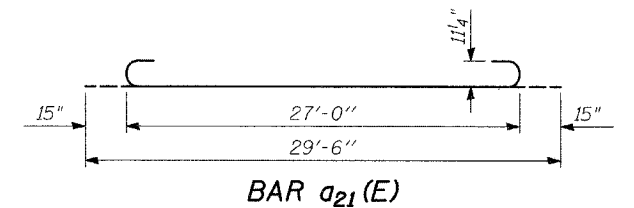
* Transition to match approach curb & gutter shape in last 10' of approach pavement.



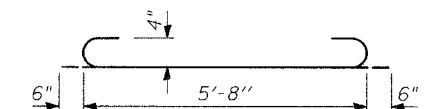
PARAPET DETAIL



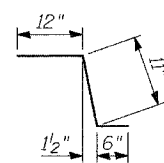
INSIDE ELEVATION OF PARAPET



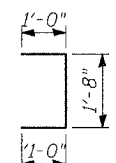
BAR a21(E)



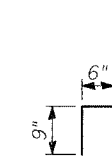
BAR a23(E)



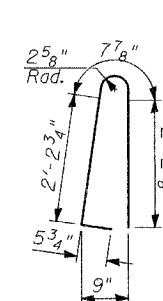
BAR c(E)



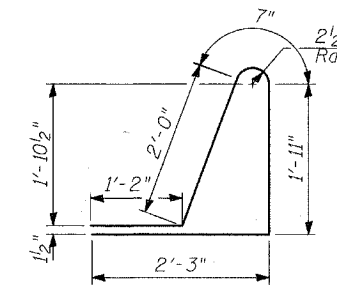
BAR c21(E)



BAR d2(E)



BAR d3(E)



BAR d4(E)

WEST APPROACH PAVEMENT DETAILS

BAILEY ROAD OVER THE
WEST BRANCH OF THE DUPAGE RIVER
FAU 1545
SECTION 00-00115-00-BR STA. 2+99.15
DUPAGE COUNTY
S.N. 022-3028

TYLIN INTERNATIONAL

DESIGNED	- DE
CHECKED	- SNB
DRAWN	- DE
CHECKED	- SNB