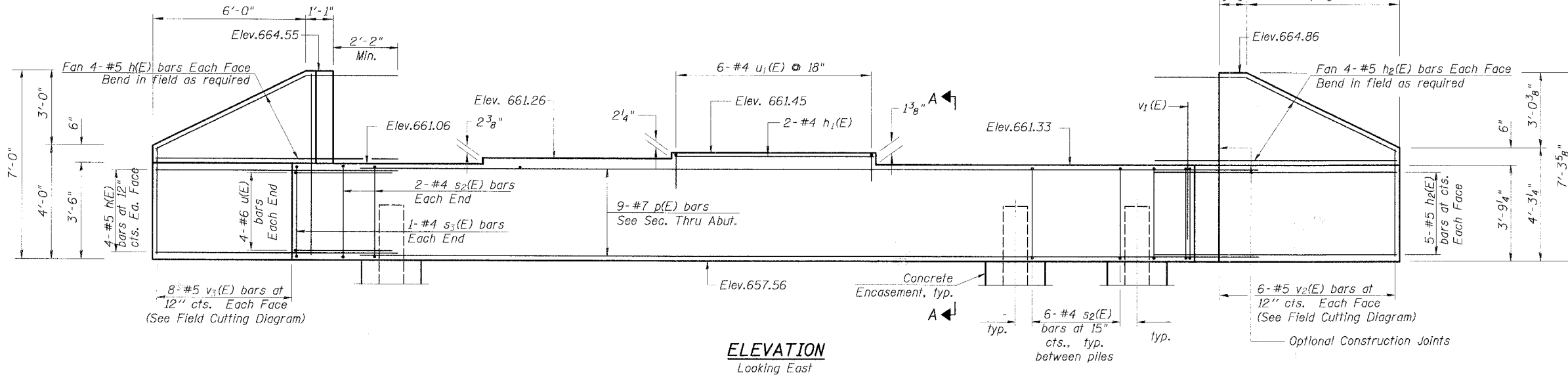
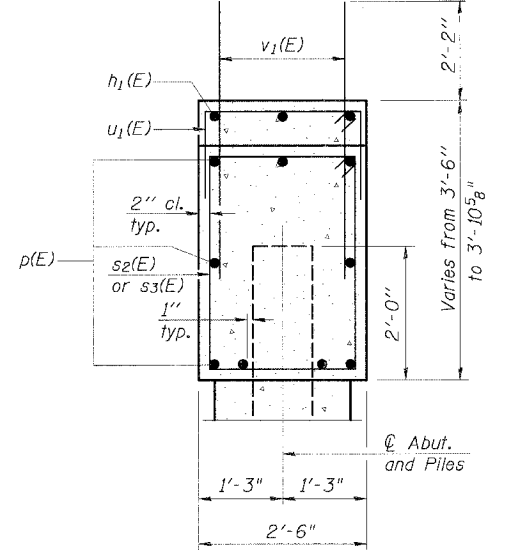


Notes: Four steps monolithically with cap.
Space reinforcement in caps to miss anchor bolts.

DATE	SECTION	COUNTY	SHEET	SHEET NO. 24
03-00019-00-BR	DUPAGE	DU PAGE	35	35 SHEETS
Contract #83965				



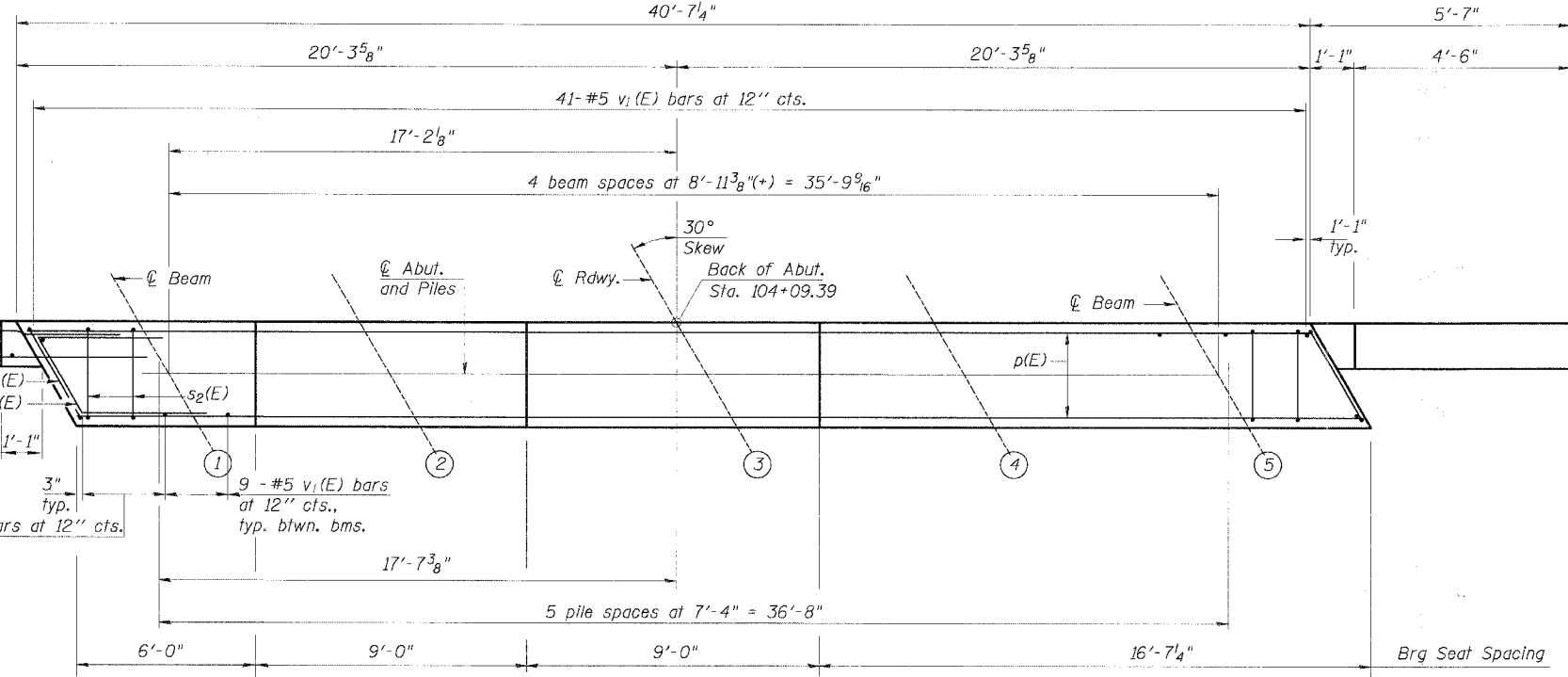
ELEVATION
Looking East



SECTION A-A

PILE DATA

Type: Steel HP10x42 with Pile Shoes
Nominal Required Brg.: 335 kip
Factored Resistance Available: 168 kip
Est. Length: 59'
No. of Production Piles: 5
No. of Test Piles: 1

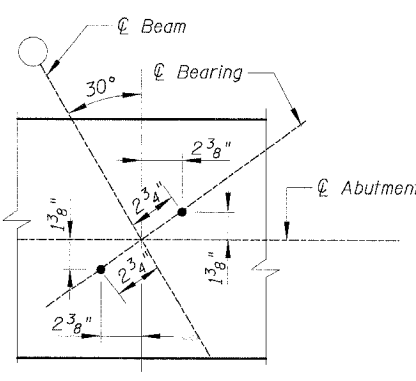


PLAN

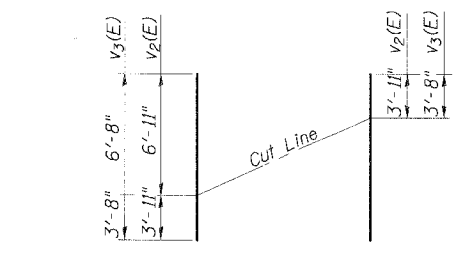
BILL OF MATERIAL

Bar	No.	Size	Length	Shape
h(E)	16	#5	9'-9"	—
h1(E)	2	#4	8'-8"	—
h2(E)	18	#5	8'-6"	—
p(E)	9	#7	40'-3"	—
s2(E)	34	#4	11'-5"	□
s3(E)	2	#4	12'-1"	□
u(E)	8	#6	8'-0"	⌒
u1(E)	6	#4	3'-8"	—
v1(E)	81	#5	4'-4"	—
v2(E)	6	#5	10'-10"	—
v3(E)	8	#5	10'-4"	—

Structure Excavation	Cu. Yd.	90
Concrete Structures	Cu. Yd.	16.6
Reinforcement Bars, Epoxy Coated	Pound	1980
Furnishing Steel Piles, HP 10 x 42	Foot	295
Driving Piles	Foot	295
Test Pile	Each	1
Pile Shoes	Each	5

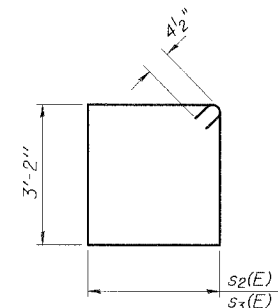


ANCHOR BOLT LAYOUT

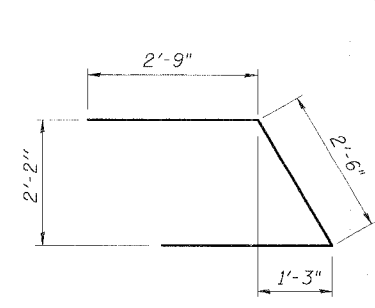


FIELD CUTTING DIAGRAM v2(E) & v3(E)

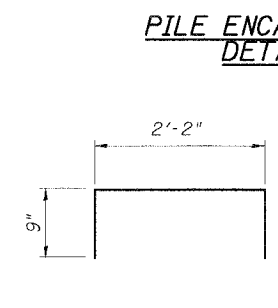
Order v2(E) and v3(E) full length. Cut as shown and use remainder of bars in opposite face.



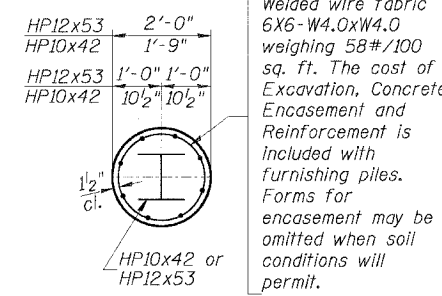
BARS s2(E) & s3(E)



BAR u(E)



BAR u1(E)



PILE ENCASEMENT DETAIL

EAST ABUTMENT PLAN AND ELEVATION
TIMBER EDGE DRIVE OVER SALT CREEK
DuPAGE COUNTY
F.A. ROUTE 7, SEC. 03-00019-00-BR
STATION 103+31.33
STRUCTURE NO. 022-6000

CHRISTOPHER B. BURKE ENGINEERING LTD.
9575 West Higgins Road, Suite 600
Rosemont, Illinois 60018

REVISIONS	DATE	NAME	DATE

DESIGNED BY:	PROJECT NO.:	
DRAWN BY: PFB	DATE: 8/24/2007	
CHECKED BY: MBI		
APPROVED BY:		